



**CHAFFOTEAUX
& MAURY**

SPARE PARTS EXPLODED VIEW
STORAGE ELECTRIC WATER HEATERS

Model

HORIZONTAL - TP 06/02 --> ...

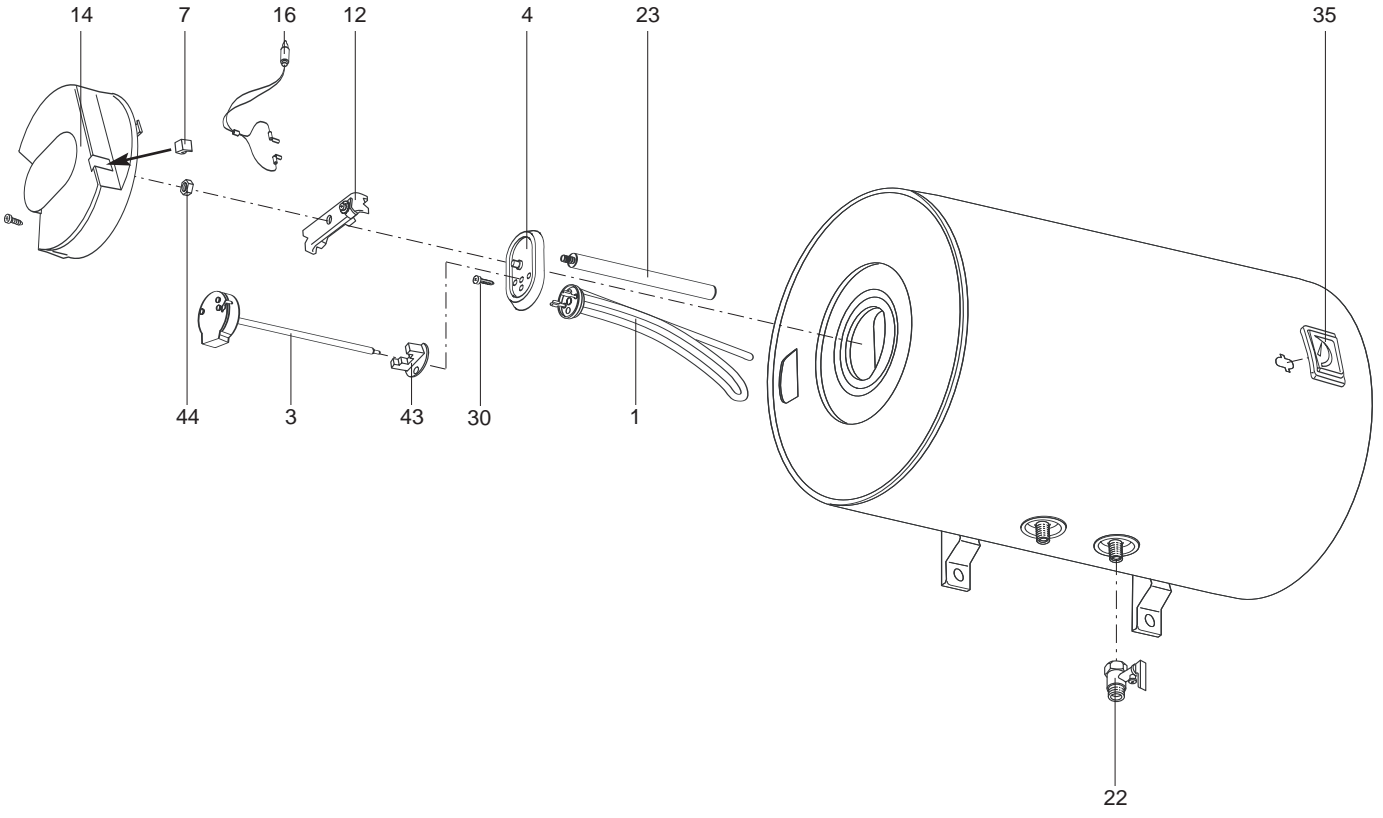
R8202691-02EN - Edition 02 - 22/09/2005

HORIZONTAL - TP 06/02 --> ...

Storage Electric Water Heaters



869996		HORIZONTAL 80 TP	06/02	...
Reference	Ind.	Model type	Begin	End





LIST OF THE ABBREVIATIONS

HW	: Hot water.
CW	: Cold water.
C	: Ceramic resistance (normal heating).
Ca	: Ceramic resistance (accelerated heating)
TP	: Immersion heater.
1F	: With fittings.
2F	: Without fittings.
3F	: With fittings and another outlet connection.
AMI	: With mixing valve.
SMI	: Without mixing valve.
PUISS	: Power of th appliance.
PN	: Appliance with normal pression.
LP	: Appliance with low pression.
PV	: Appliance with variable power.
PF	: Appliance with fixed power..

IDENTIFICATION PLATE

SERIAL NUMBER

€ : 95 01 06500	4(from 01/93 to 06/95)
_____	Sequential number
_____	Month of manufacture : from 1 to 12 → January to December
_____	Year of manufacture
€ : 01 95 06500	4(from 07/95)
_____	Sequential number
_____	Year of manufacture
_____	Month of manufacture : from 1 to 12 → January to December
Ex: 003 126 0001 893077	OR
_____	Product reference
_____	Sequential number
_____	Manufacturing day Ex:126 day of the year
_____	Year of manufacture

The indications mentioned on the prices, commercial or technical literature and the scheme are written for your guidance and are available at a given time. The CONSTRUCTOR retains the power to modify the presentation, the form, the size, the conception or the material of the products.