



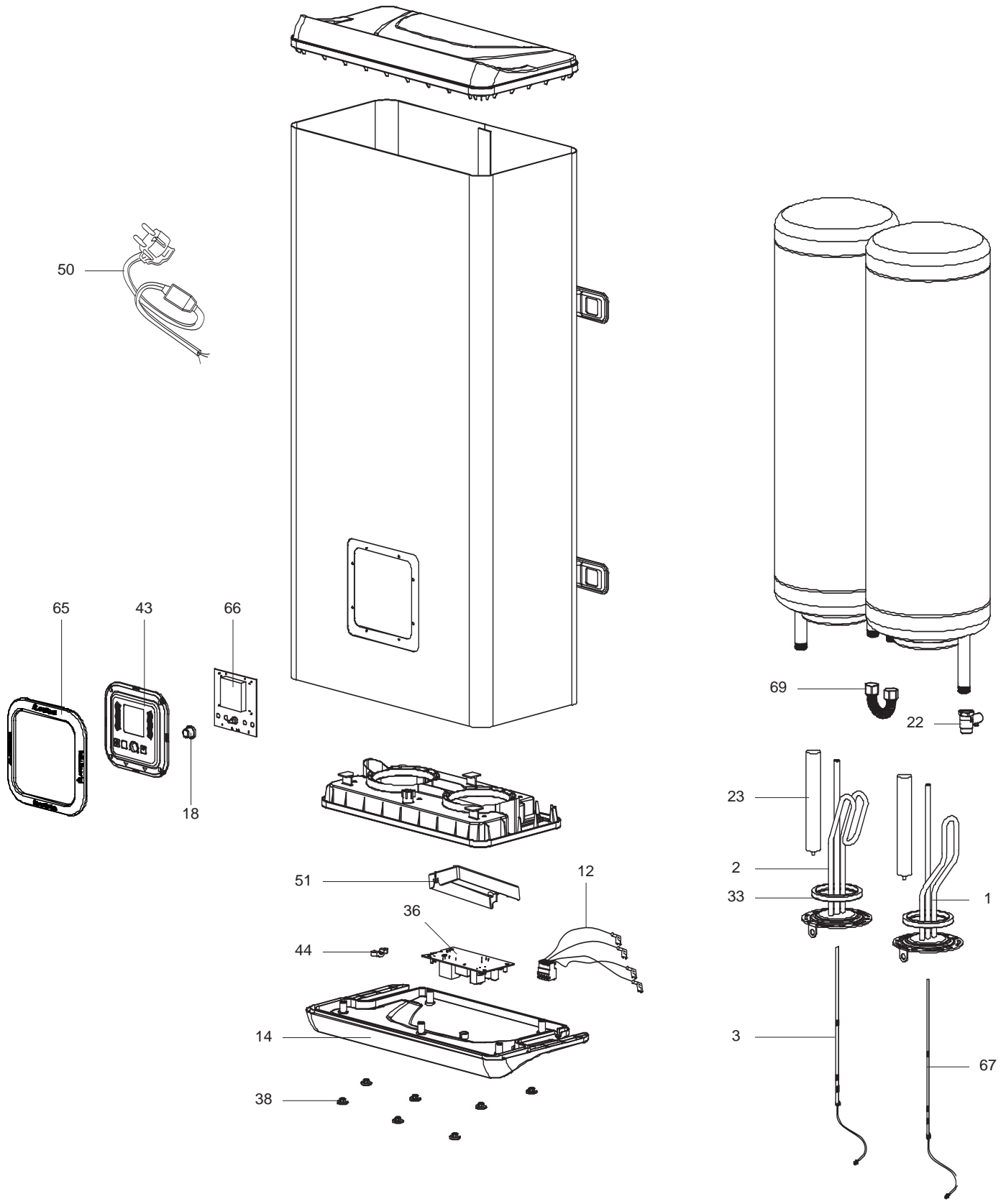
SPARE PARTS EXPLODED VIEW  
STORAGE ELECTRIC WATER HEATERS

Model

**ABS VLS PLUS PW**

R8216800-01EN - Edition 01 - 13/02/2012

360 5492		ABS VLS PLUS PW 30	...	...
360 5493		ABS VLS PLUS PW 50	...	...
360 5494		ABS VLS PLUS PW 80	...	...
360 5495		ABS VLS PLUS PW 100	...	...
Reference	Ind.	Model type	Begin	End





Key N	Description	Manf. Pt. N	Type					Manf. date	
				75	80	85	100	from	to
0001	HEATING ELEMENT 1000W 230V	65151226		●	●	●	●		
0002	HEATING ELEMENT 1500W 230V	65151227		●	●	●	●		
0003	WIRED NTC PROBE 1500W	65151229		●	●	●	●		
0012	WIRE HARNESS	65151231		●	●	●	●		
0014	BOTTOM PLASTIC COVER	65151704		●	●	●	●		
0018	KNOB	65151246		●	●	●	●		
0022	SAFETY VALVE 8 BAR	65151706		●	●	●	●		
0023	MAGNESIUM ANODE D=22x110 M5	65151186		●	●				
	MAGNESIUM ANODE D=25.5x180 M5	977127			●	●			
0033	FLANGE GASKET FOR 5 BOLTS	65150952		●	●	●	●		
0036	POWER BOARD	65151230		●	●	●	●		
0038	SCREW COVER	65151705		●	●	●	●		
0043	CONTROL PANEL	65151245		●	●	●	●		
0044	CABLE CLAMP	573266		●	●	●	●		
0050	POWER CABLE WITH ELCB	65150965		●	●	●	●		
0051	POWER BOARD BOX	65151447		●	●	●	●		
0065	FRONT COVER BOARD	65151703		●	●	●	●		
0066	CONTROL BOARD	65151247		●	●	●	●		
0067	WIRED NTC PROBE 1000W	65151228		●	●	●	●		
0069	BY-PASS CONNECTION	65151224		●	●	●	●		

## LIST OF THE ABBREVIATIONS

HW .....	: Hot water.
CW .....	: Cold water.
C .....	: Ceramic resistance (normal heating).
Ca .....	: Ceramic resistance (accelerated heating)
TP .....	: Immersion heater.
1F .....	: With fittings.
2F .....	: Without fittings.
3F .....	: With fittings and another outlet connection.
AMI .....	: With mixing valve.
SMI .....	: Without mixing valve.
PUISS .....	: Power of th appliance.
PN .....	: Appliance with normal pression.
LP .....	: Appliance with low pression.
PV .....	: Appliance with variable power.
PF .....	: Appliance with fixed power..

## IDENTIFICATION PLATE

### SERIAL NUMBER

<b>6 Characters :</b>	_____ 03 09 08 _____	Manufacturing day Month of manufacture
<b>9 Characters :</b>	_____ 5 9 12 0606 _____	Sequential number
<b>15 Characters :</b>	_____ 02 11 00001 007843 _____	Code appareil Sequential number
<b>21 Characters :</b>	_____ 3200050 XX 08115 0000001 _____	Sequential number Year (08) / Manufacturing day (115)
<b>22 Characters :</b>	_____ 3200050 XX 070115 0000001 _____	Sequential number Year (07) / Month (01) / Manufacturing day (15)

The indications mentioned on the prices, commercial or technical literature and the scheme are written for your guidance and are available at a given time. The CONSTRUCTOR retains the power to modify the presentation, the form, the size, the conception or the material of the products.