

Spare Parts Catalogues

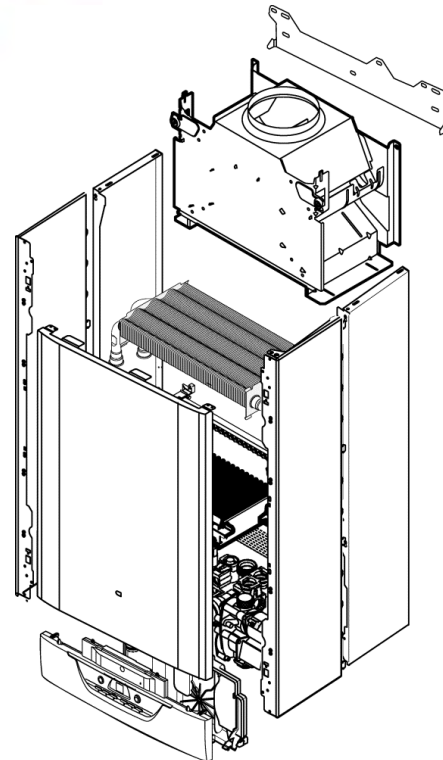


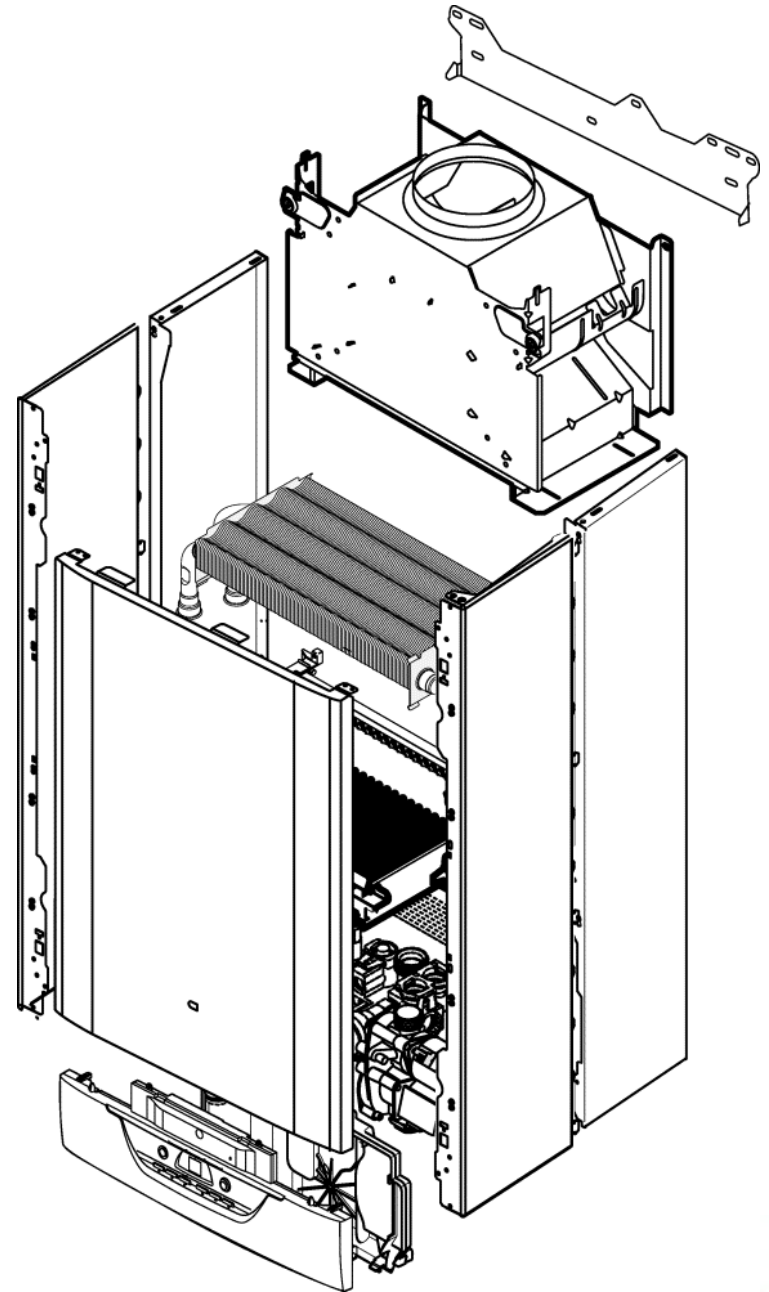
Saunier Duval

---

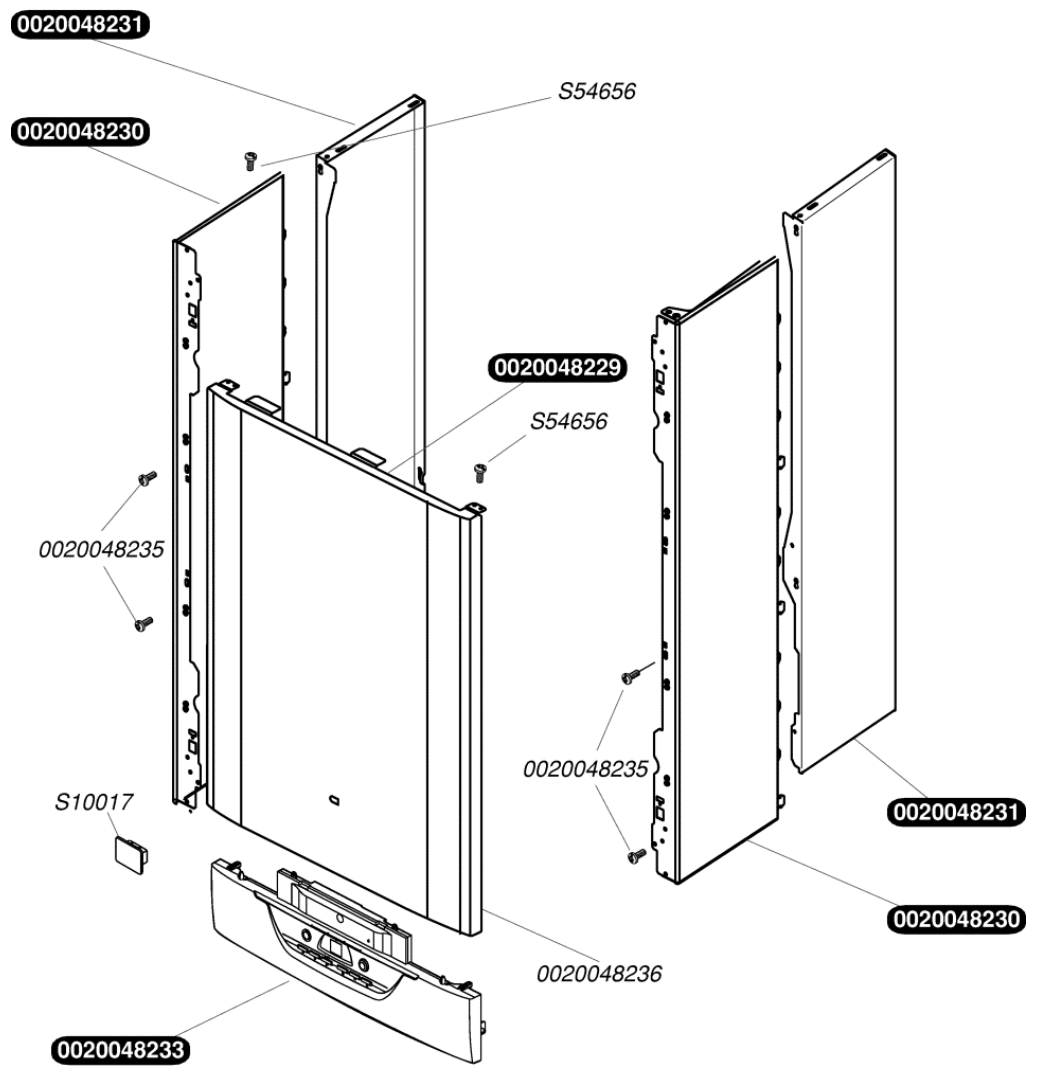
Isotwin C 30

---

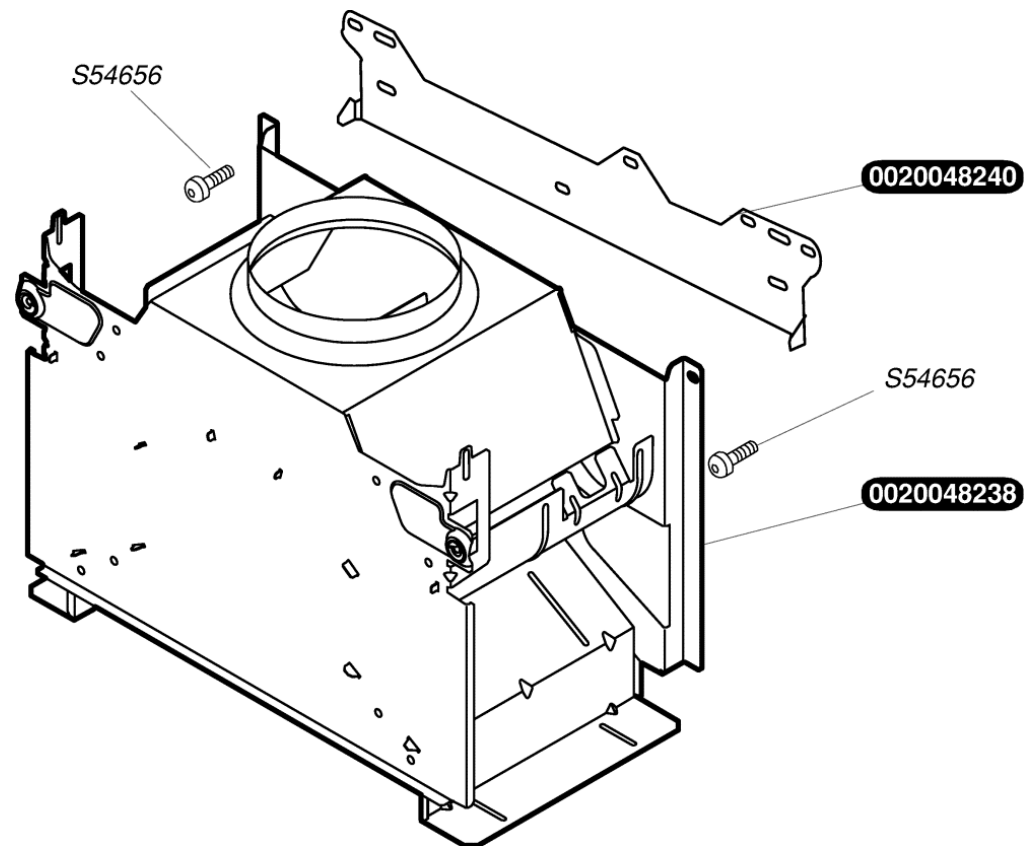




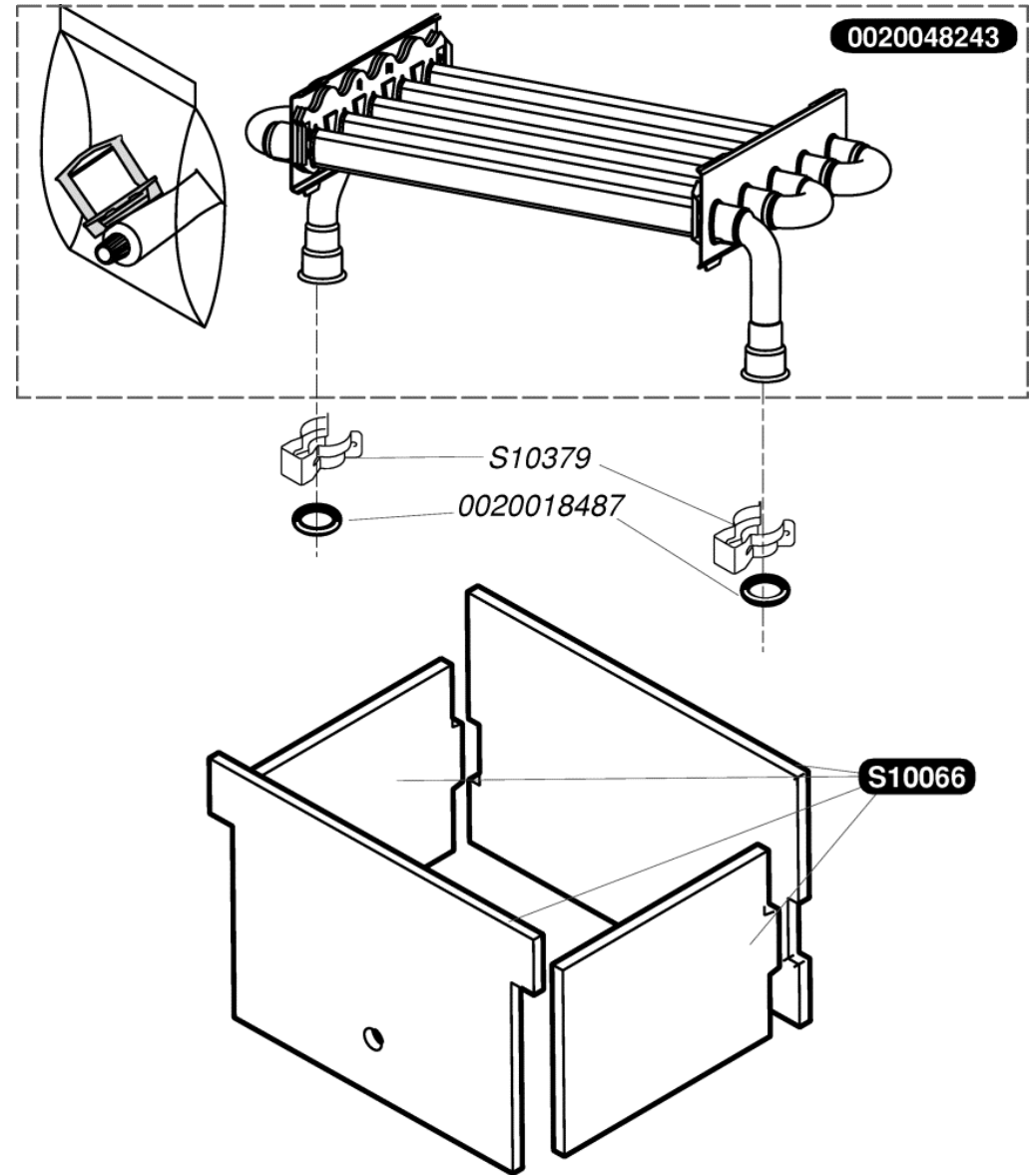
0020048229	1	Front panel
0020048230	1	Front Side panel
0020048231	1	Back Side panel
0020048233	1	Instrument panel
0020048235	10	Screw
0020048236	2	clip (set of 2)
S10017	10	Brand name
S54656	50	Screw 4,2X13,5 (pk50)



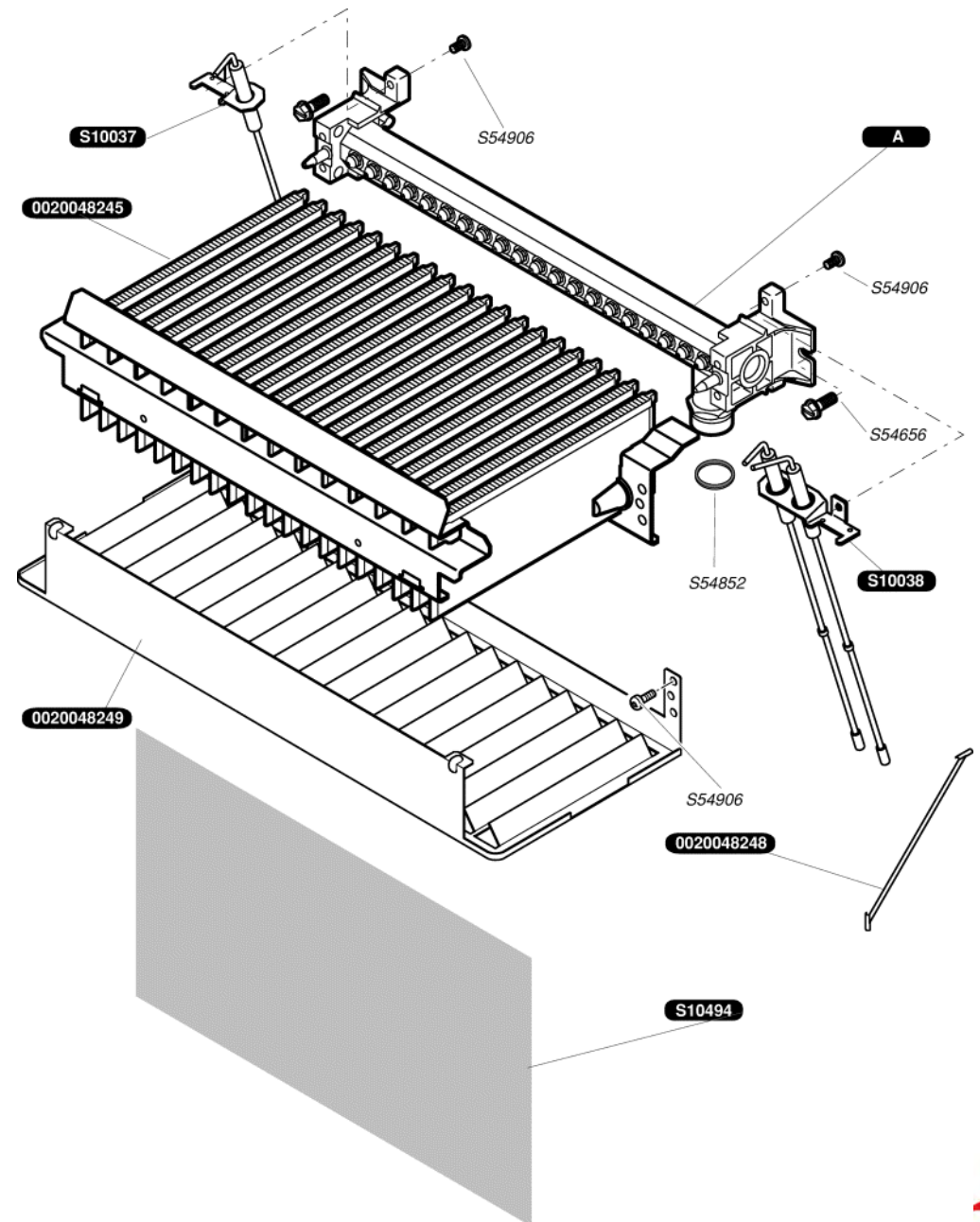
0020048238	1	Draft diverter
0020048240	1	Strip terminal
S54656	50	Screw 4,2X13,5 (pk50)



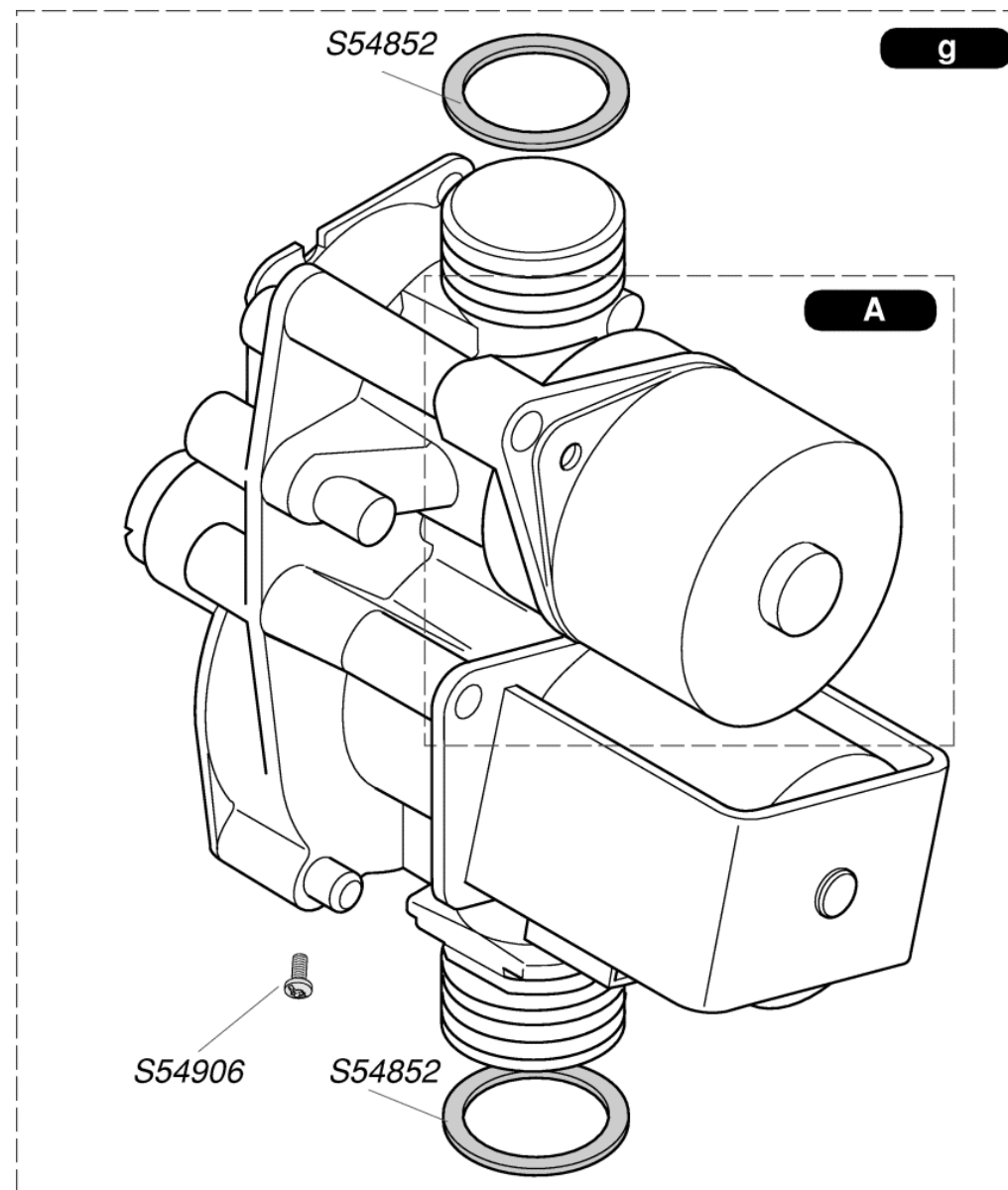
0020048243	1	Heat exchanger
0020018487	10	O Ring
S10066	1	Insulation combustion chamber
S10379	10	Clip (pk10)



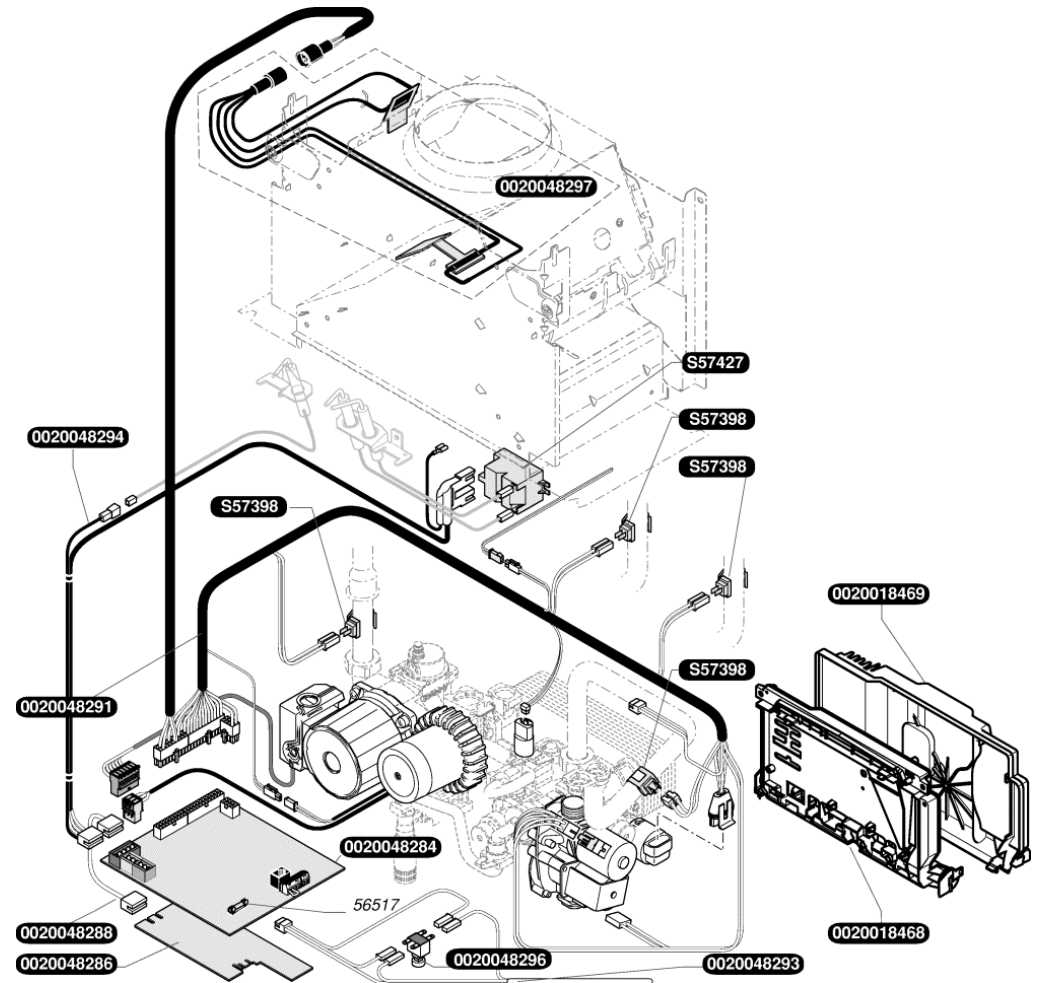
0020048245	1	Burner (17 burner chamber group)
0020048248	2	Strap
0020048249	1	Ashtray
S10037	1	Ignition electrode
S10038	1	Ignition electrode
S10494	1	Isolant thermique habillage
S54656	50	Screw 4,2X13,5 (pk50)
S54852	100	Gasket (PK100)
S54906	50	Screw (pk50)



S54852	100	Gasket (PK100)
S54906	50	Screw (pk50)

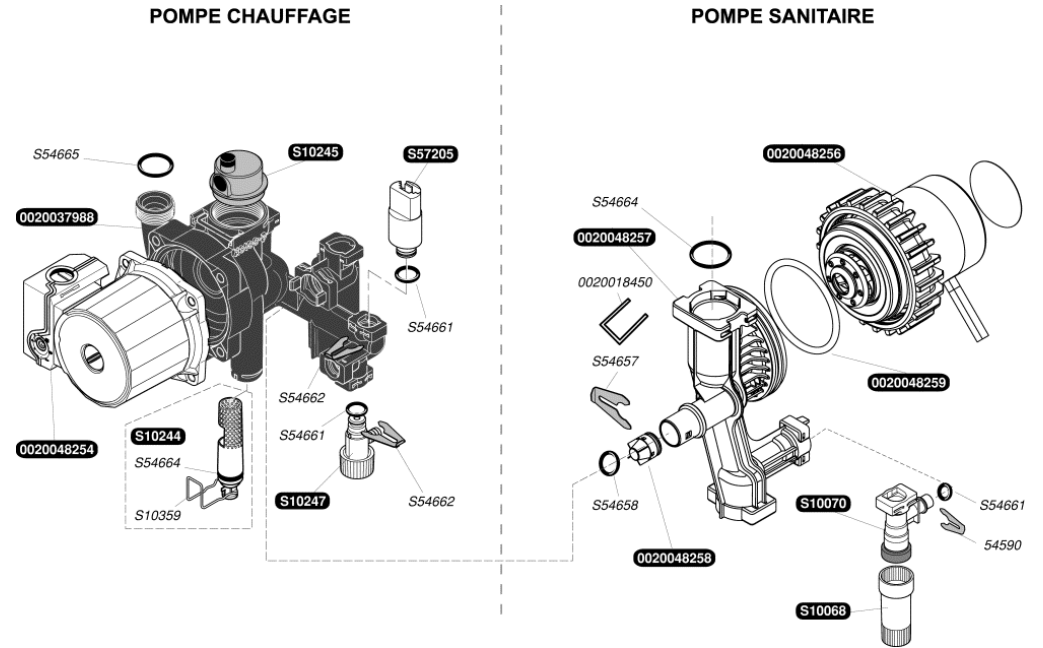


0020018468	1	Plastic control box
0020018469	1	Plastic control box cover
0020048284	1	Printed circuit, ISOTWIN/MAX 35KW
0020048286	1	Carte interface
0020048288	1	Cable tree (harness)
0020048291	1	Cable tree main lines
0020048293	1	Cable tree supply
0020048294	1	Cable ignitor
0020048296	1	Switch on /off
0020048297	1	Thermostat PTC
56517	5	Fuse 2A (pk5)
S57398	1	Sensor temperature
S57427	1	Spark ignition

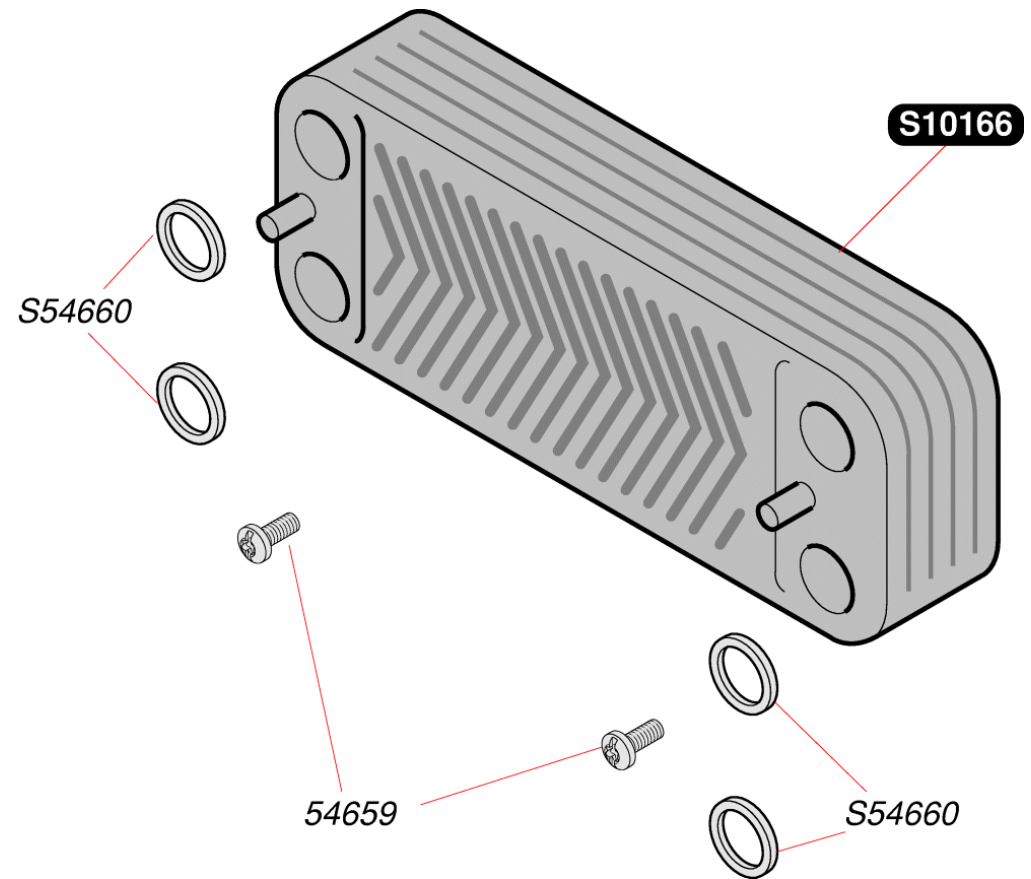




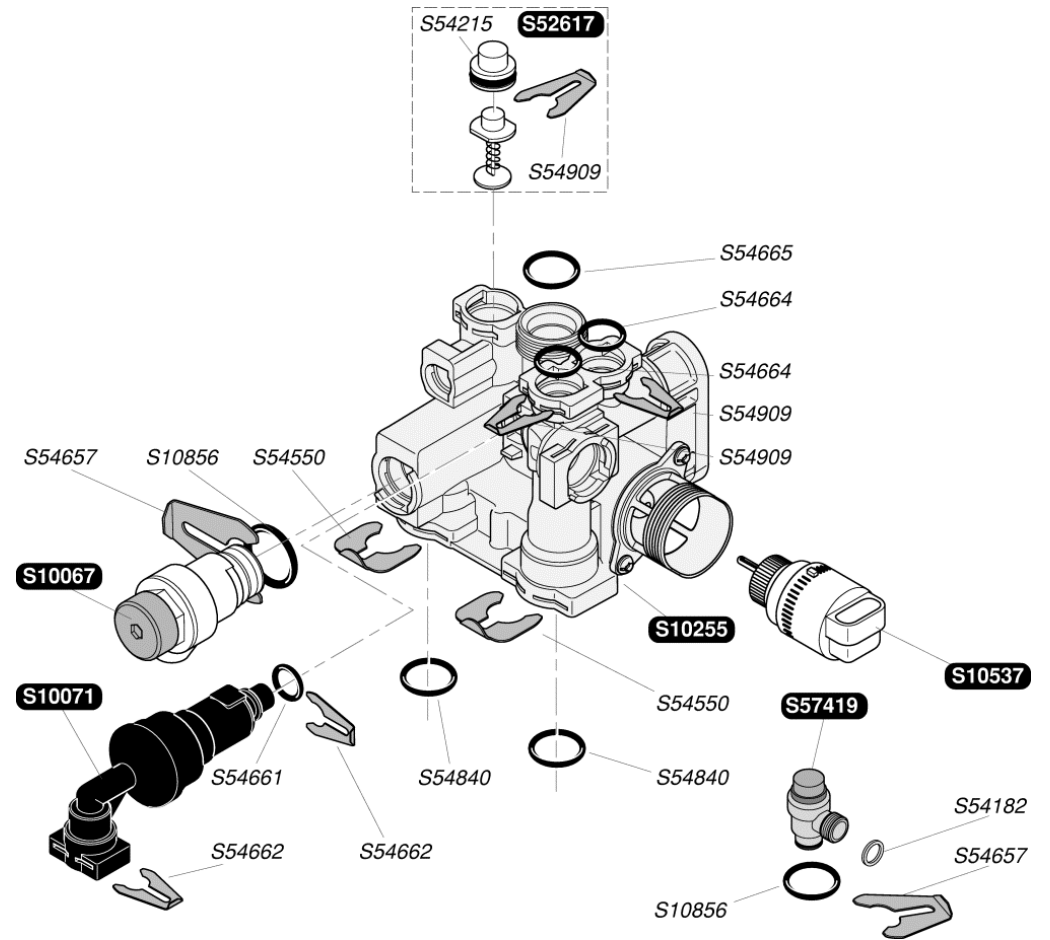
0020018450	10	Clip (pk10)
0020037988	1	Block pump
0020048254	1	Motor pump 1300L/h
0020048256	1	Motor pump dcw
0020048257	1	Housing of motor pump dcw
0020048258	1	Non-return valve
0020048259	1	Seal O-ring
54590	15	Clip pack (pk15)
S10068	1	Handle extension adapter
S10070	1	Filling cock
S10244	1	Heating filter
S10245	1	Automatic de-aerator
S10247	1	Valve de aeration
S10359	10	Clip (pk10)
S54657	10	Clip Ø18 (pk10)
S54658	20	O ring (pk 20)
S54661	10	O ring (pk20)
S54662	10	Clip (pk10)
S54664	10	O ring (pk20)
S54665	10	O ring (pk20)
S57205	1	Pressure sensor



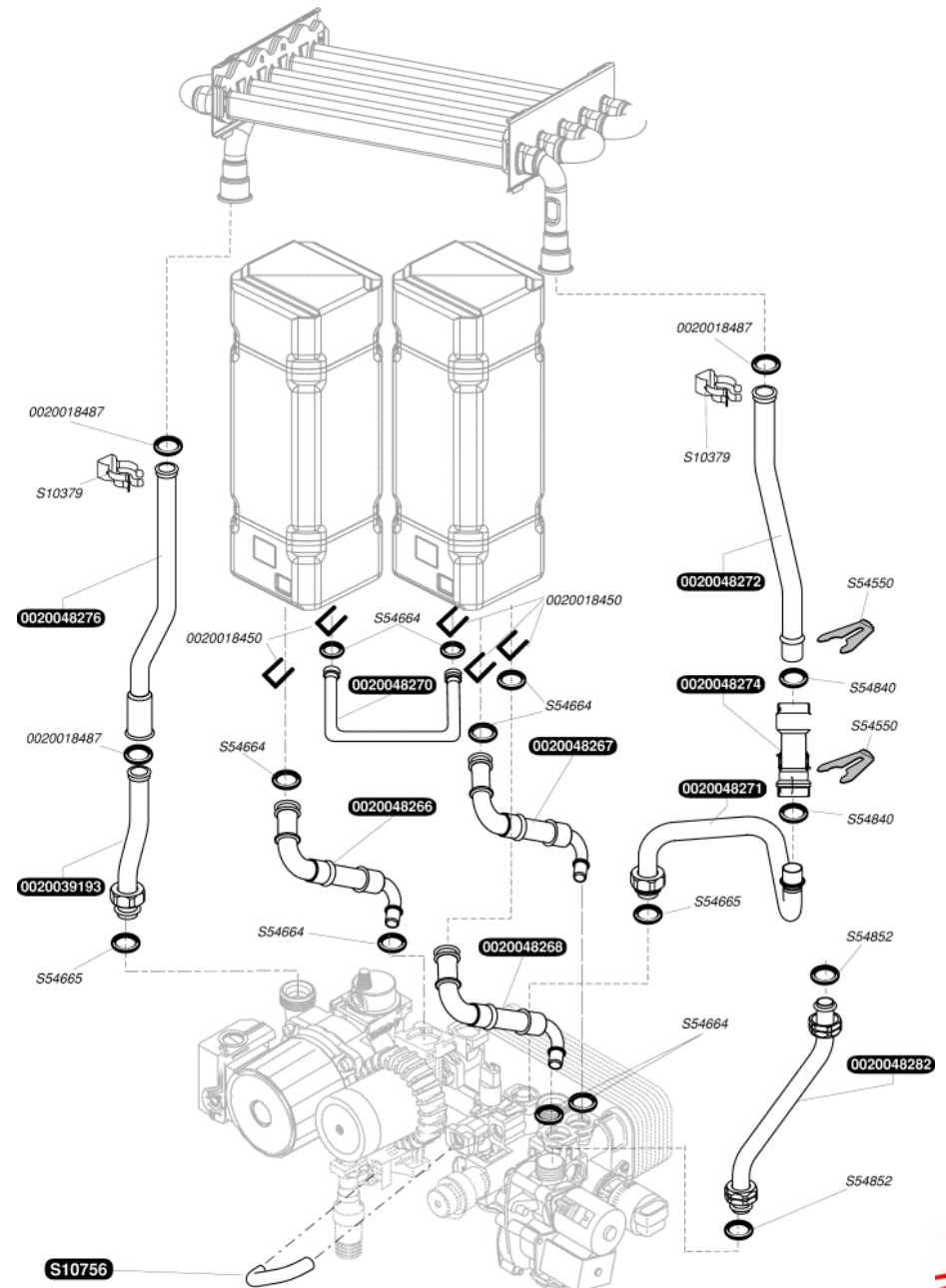
54659	50	Screw (pk50)
S10166	1	Domestic Heat Exchanger 12plt
S54660	20	Washer (pk20)



S10067	1	Heating valve 3bars
S10071	1	Non-return valve
S10255	1	3 way valve
S10537	1	3Wv motor
S10856	10	O Ring
S52617	1	By pass
S54182	100	Washer (pk100)
S54215	25	O ring (pk25)
S54550	10	Clip Ø20 (pk10)
S54657	10	Clip Ø18 (pk10)
S54661	20	O ring (pk20)
S54662	10	Clip (pk10)
S54664	10	O ring (pk20)
S54665	10	O ring (pk20)
S54840	10	O ring (pk10)
S54909	15	Clip (pk15)
S57419	1	D.H.W valve, kpl

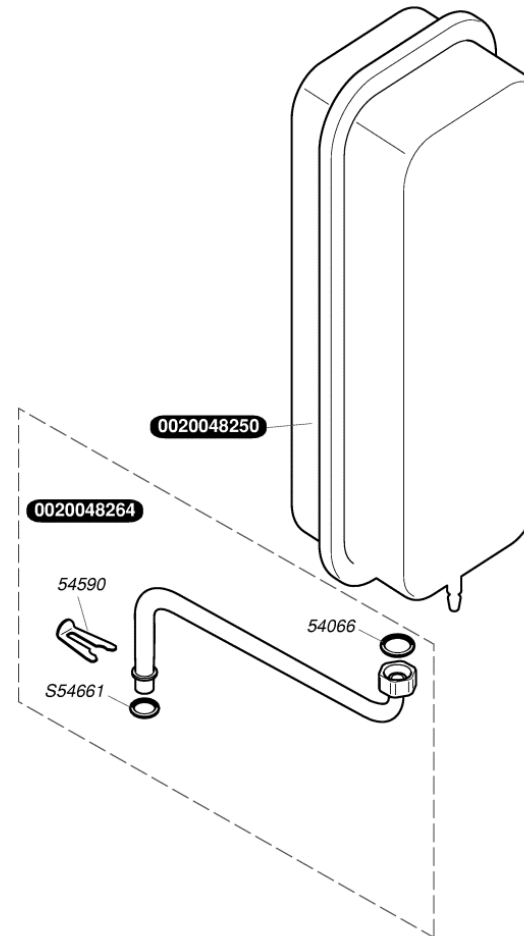


0020018487	10	Seal (PK10)
0020039193	1	Pumpe pipe
0020048266	1	Hose dcw
0020048267	1	Hose dcw
0020048268	1	Hose dcw
0020048270	1	Storage water heater tube
0020048271	1	Tube heating
0020048272	1	Tube heating
0020048274	1	Housing of Vortex with plug
0020048276	1	Tube heating
0020048282	1	Gas connection tube
S10379	10	Clip (pk10)
S10756	1	Pipe bypass
S54550	10	Clip Ø20 (pk10)
S54664	20	O ring (pk20)
S54665	20	O ring (pk20)
S54840	10	O ring (pk10)
S54852	100	Gasket (PK100)

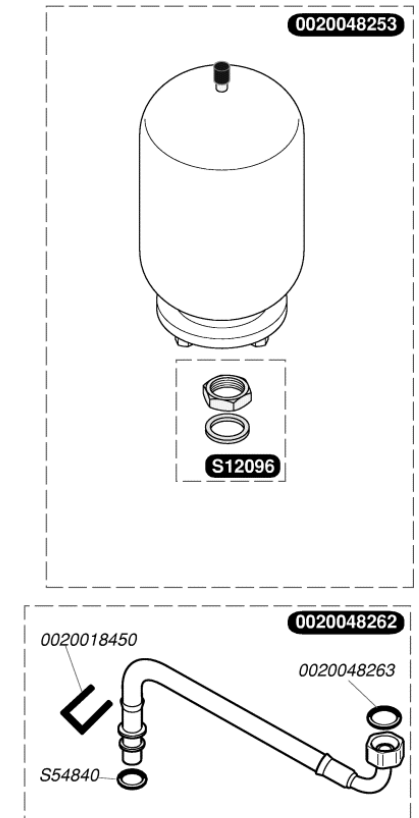


0020018450	10	Clip (pk10)
0020048250	1	Expansion vessel heating
0020048253	1	Expansion vessel d.h.w 2L
0020048262	1	Tube expansion vessel dcw
0020048263	10	Seal gasket
0020048264	1	Tube expansion vessel heating
54590	15	Clip pack (pk15)
S12096	1	Nut
S54661	20	O ring (pk20)
S54840	10	O ring (pk10)
54066	10	Joint plat

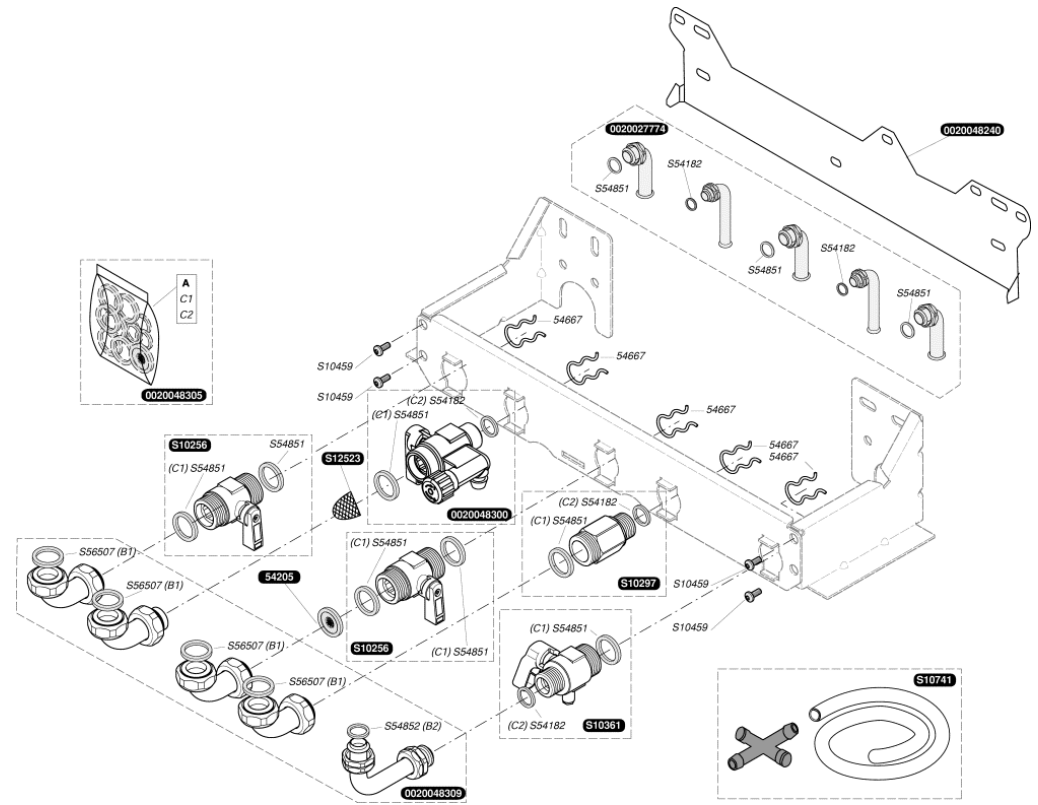
VASE D'EXPANSION CHAUFFAGE



VASE D'EXPANSION SANITAIRE



0020027774	1	Tube connection
0020048240	1	Strip terminal
0020048300	1	Tap cold water
0020048305	1	Sachet of seals + flow limiter 14L
0020048309	1	Kit connection tube
54205	10	Flow limiter 14L
54667	10	Clip (pk10)
S10256	1	Mixing valve
S10297	1	Connection
S10361	1	Gas tap
S10459	10	Screw M4x12 (PK10)
S10741	1	Flexible
S12523	10	Filter
S54182	100	Washer (pk100)
S54851	100	Washer (pk100)
S54852	100	Gasket (PK100)
S56507	50	Washer 3/4 (pk50)



0020018450	10	Clip (pk10)
0020039566	1	Tube (L=597 mm, D=18 mm)
0020048251	1	Storage water heater bi-material 20 L
0020048252	1	Deflecteur water tank
0020048299	1	Temperature sensor
S54840	10	O ring (pk10)

