



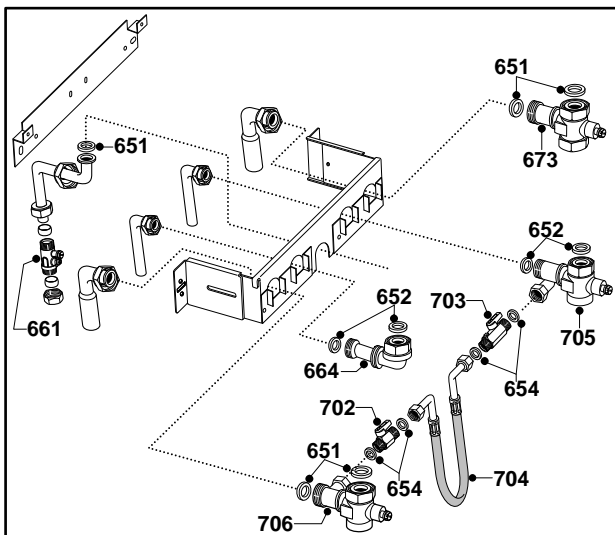
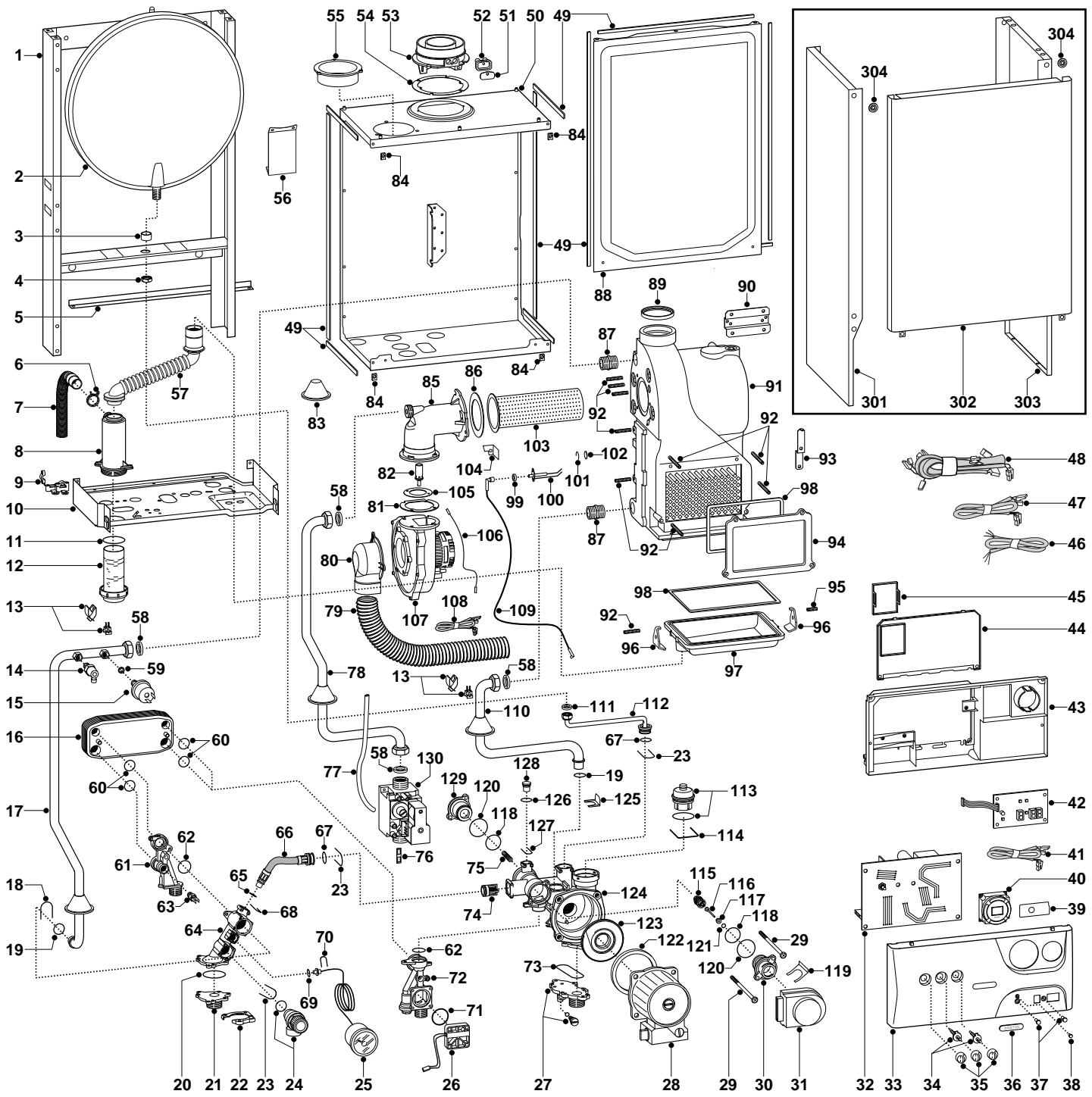
SPARE PARTS EXPLODED VIEW
GAS WALL BOILERS

Model

ECOCOMBI 27 MFFI

Edition 1 of 21 October 2002





MODEL	CHARACTERISTICS	SERIAL NO. VALIDITY	REF.
ECOCOMBI 27 MFFI	METHANE	2320224700001	A
ECOCOMBI 27 MFFI	LPG	2320224700001	B

PART.	CODE	DESCRIPTION	REF.	NOTE
1	-----	Boiler frame		11
2	990683	Expansion vessel		
3	998776	Bush (expansion vessel)		
4	998581	3/8" lock nut		
5	990492	Frame support		
6	990662	Clamp		
7	990665	Discharge pipe (condensate)		
8	990658	Condensate trap (upper)		
9	998580	Cable holder		
10	-----	Hydraulic group support		11
11	990695	O-ring (condensate trap - 3175 EPDM D=44.9)		
12	990659	Condensate trap (lower)		
13	990686	Temperature probe + clip (C.H. - T335D)		
14	573727	Drain valve		
15	995903	Low water pressure switch		
16	990685	Secondary exchanger		
17	990668	Pipe (C.H. flow)		
18	997153	U-clip (20 pcs)		
19	997181	O-ring 4067 (5 pcs)		
20	990383	O-ring (C.H. flow manifold - 3143 EPDM)		
21	995936	Flange (C.H. flow)		
22	990404	Lock flange		
23	990385	U-clip		
24	997088	Safety valve (3 bar)		
25	999245	Pressure gauge		
26	995948	D.H.W. flow switch		
27	995932	Flange (C.H. return)		
28	995896	Pump motor (27 kW)		
29	990438	Screw (M4X102) (5 pcs)		
30	990365	Motor support		
31	997147	Motor (3-Way valve)		
32	990692	Printed circuit board (main)		
33	990672	Control panel		
34	990660	Spindle (control knob)		
35	990679	Control knob (temperature control/summer-winter)		
36	-----	Name badge		11
37	998751	Button (reset)		
38	998653	L.E.D. lens		
39	998766	Film (display)		
40	999600	Time clock		
41	990687	Cable (time clock)		
42	990693	Printed circuit board (display)		
43	-----	Control panel		11
44	990673	Control panel case (rear)		
45	997745	Cover (potentiometers/P.C.B.)		
46	990690	Wiring (power supply)		
47	990688	Low voltage wiring		
48	990691	High voltage wiring		
49	998516	Seal (combustion chamber - 10x6) (5 pcs)		
50	-----	Sealed chamber		11
51	998565	Cover (flue test point)		
52	998636	Gasket (flue test point - 5 pcs)		
53	990678	Flue (exhaust manifold / header)		
54	998637	Gasket (flue collar - 5 pcs)		
55	998595	Plug (air intake)		
56	-----	Fixing bracket (sealed chamber)		11
57	990664	Pipe (condensate tray - condensate trap)		
58	573520	Gasket 3/4" (25 pcs)		
59	569390	Gasket 1/4" (25 pcs)		
60	573825	O-Ring (secondary exchanger - 10 pcs)		
61	995934	Manifold (D.H.W.)		
62	990387	O-ring (3081 EPDM)		
63	998458	Temperature probe (D.H.W.)		
64	990384	Manifold (C.H. flow)		
65	998077	O-ring gasket (20 pcs)		
66	990388	By-pass pipe		

PART.	CODE	DESCRIPTION	REF.	NOTE
67	995976	O-ring (119)		
68	990386	U-Clip		
69	998517	Gasket (20 pcs)		
70	571548	U-Clip (pressure gauge)		
71	990392	O-ring (134 EPDM)		
72	990745	Manifold (C.W. inlet)		
73	990393	Gasket (3231 EPDM)		
74	999473	By-pass (Fugas)		
75	990391	Spring (diverter valve)		
76	574279	Gasket (5 pcs)		
77	573576	Compensation tube		
78	990666	Gas pipe		
79	990669	Pipe (fan suction silencer)		
80	990661	Elbow (fan suction silencer)		
81	990694	Gasket (fan)		
82	990656	Burner jet (L.P.G.)	B	
82	990657	Burner jet (N.G.)	A	
83	-----	Rubber		11
84	570717	Spring (fastening) (5 pcs)		
85	990676	Elbow (fan)		
86	998680	Gasket (burner)		
87	998666	Nipple (gas - 3/4" M/M)		
88	990674	Panel (front - sealed chamber)		
89	998423	Lip gasket (D=66 mm)		
90	-----	Top brace		11
91	990684	Main exchanger (aluminium)		
92	999523	Dowel (M6x35)		
93	-----	Low brace		11
94	998777	Aluminium inspection lid		
95	990663	Dowel M6X25		
96	999999	Support (condensate tray)		
97	990677	Condensate tray		
98	999497	Seal (silicone - inspection cover - 6x8)		
99	998769	Gasket (electrode insulation)		
100	995964	Electrode (Ignition/Detection)		
101	999227	Retaining ring (D=16mm)		
102	998782	Sight glass (burner)		
103	998668	Burner		
104	-----	Flame mirror		11
105	990675	Restrictor (fan)		
106	-----	Cable (earth)		11
107	998888	Fan		
108	990689	Cable (fan)		
109	995983	Cable (ignition electrode)		
110	990667	Pipe (C.H. return)		
111	573521	Gasket 3/8" (25 pcs)		
112	990670	Pipe (expansion vessel)		
113	995865	Auto air vent		
114	990396	Retaining clip (auto air vent)		
115	995930	Diverter valve assembly		
116	995910	Spindle (diverter valve)		
117	990366	Spindle guide (diverter valve)		
118	990489	O-Ring (3100 EPDM - diverter valve)		
119	997077	Fixing clip (motor)		
120	990488	O-Ring (3118 EPDM - diverter valve)		
121	990487	O-Ring (R1XP70 - diverter valve)		
122	996123	Pump gasket		
123	990394	Impellor (pump)		
124	990395	Manifold (C.H. return)		
125	990398	Fixing bracket (C.H. return pipe)		
126	990378	O-Ring (3030 EPDM)		
127	990484	U-clip		
128	-----	Plug (C.H. return manifold)		11
129	990390	Plug (diverter valve)		
130	990682	Gas valve (Sigma 848)		

PART.	CODE	DESCRIPTION	REF.	NOTE
301	990681	Case panel (L.H. side)		
302	990671	Case panel (front)		
303	990680	Case panel (R.H. side)		
304	995305	Washer		
651	573520	Gasket 3/4" (25 pcs)		
652	573528	Gasket 1/2" (25 pcs)		
654	573521	Gasket 3/8" (25 pcs)		
661	571000	Isolating valve (gas inlet)		
664	998406	Union 1/2" (D.H.W. outlet)		
673	999582	Isolating valve 3/4" (C.H. return)		
702	990742	Tap (M/M 3/8" - C.H. flow)		
703	990741	Tap (M/M 3/8" inc. non-return - C.W. inlet)		
704	990737	Filling loop pipe		
705	995485	Isolating valve 1/2" (C.W. inlet)		
706	995486	Isolating valve 3/4" (C.H. flow)		

NOTE	DESCRIPTION
11	Not supplied as a spare part