

SPARE PARTS EXPLODED VIEW  
GAS WALL BOILERS

Models

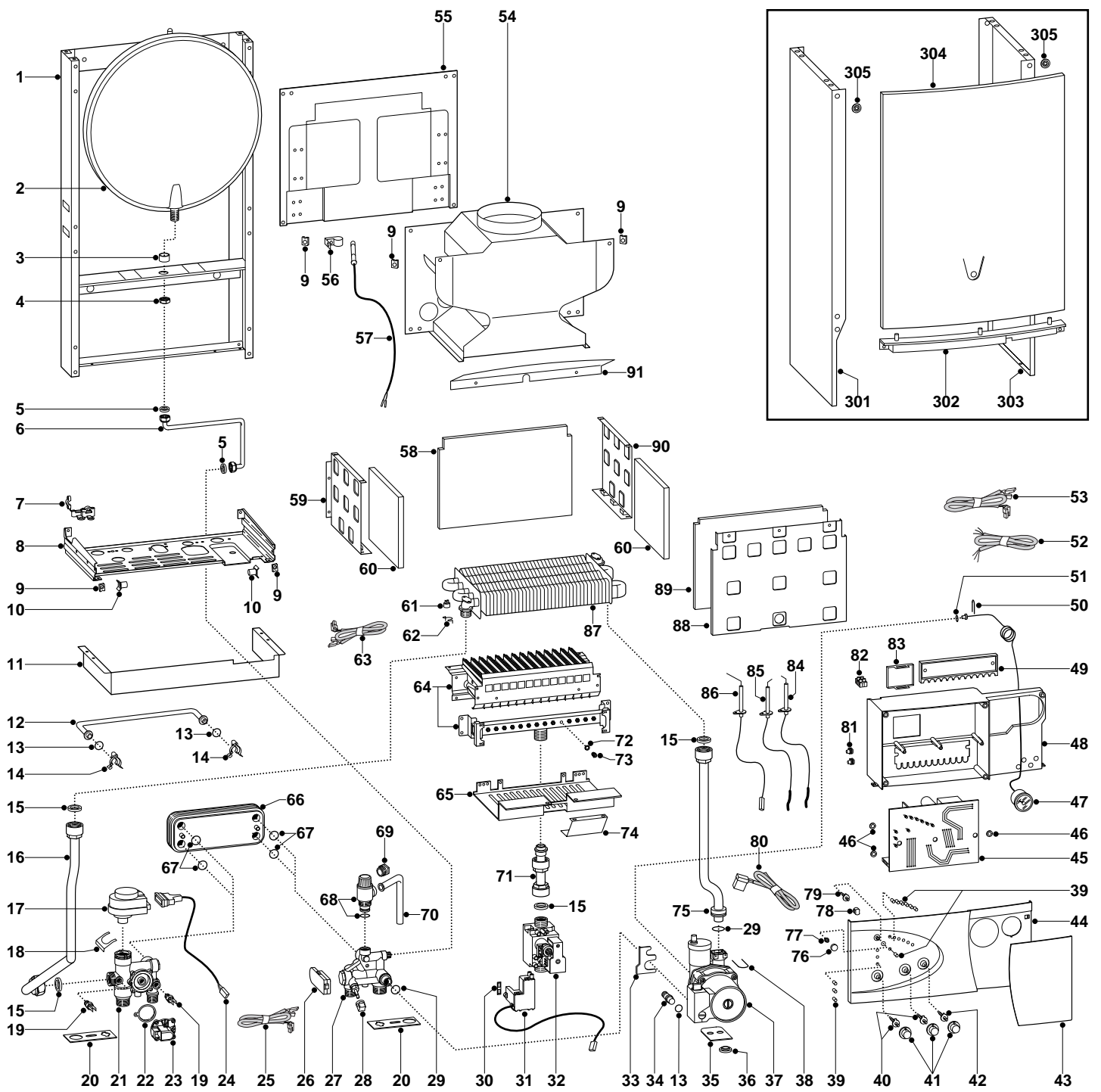
**MICROGENUS (RO-CZ-UCR) 23 MI**

**MICROGENUS (RO-CZ-UCR) 27 MI**

---

Edition 2 of 3 February 2004





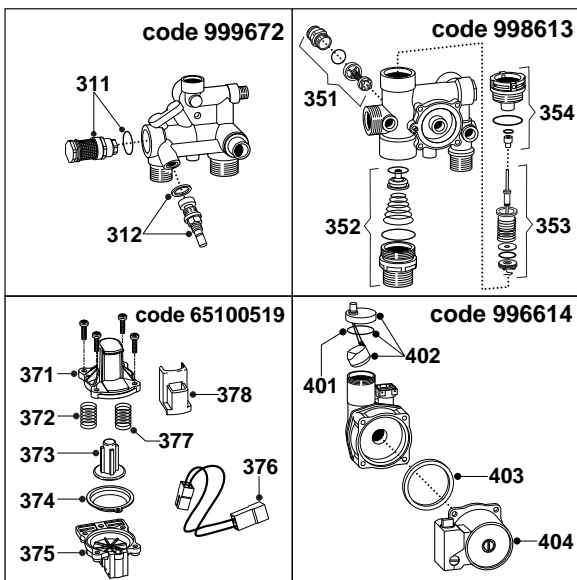
MODEL	CODE	SERIAL NO. VALIDITY	REF.
MICROGENUS 23 MI METHANE	535970	2320403400001	A
MICROGENUS 27 MI METHANE	535972	2320403400001	B

ER2004210032902001

PART.	CODE	DESCRIPTION	REF.	NOTE
1	-----	Frame		11
2	998616	Expansion vessel		
3	998776	Bush (expansion vessel)		
4	998581	3/8" lock nut		
5	573521	Gasket 3/8" (25 pcs)		
6	999102	Pipe (expansion vessel)		
7	998580	Cable holder		
8	-----	Hydraulic group support		11
9	570717	Spring (fastening) (5 pcs)		
10	995492	Pivot		
11	65100712	Grankase (connectors cover white)		
12	998589	By-pass pipe		
13	998077	O-ring gasket (20 pcs)		
14	998064	Spring (by-pass pipe) (10 pcs)		
15	573520	Gasket 3/4" (25 pcs)		
16	999996	Pipe (C.H. flow)		
17	997147	Motor (3-Way valve)		
18	997077	Fixing clip (motor)		
19	998458	Temperature probe (D.H.W.)		
20	999601	Gasket (anti-vibration)		
21	998613	Flow group		
22	571547	Diaphragm (main flow switch)		
23	65100519	Main circuit flow switch kit with micro		
24	996336	Cable (power supply - motor)		
25	65101322	Cable (temperature probes)		
26	999075	D.H.W. flow switch		
27	999672	Return group (flow gauge)		13
28	571559	Filling cock knob		
29	998424	O-ring (C=4 D=17,04) (10 pcs)		
30	574279	Gasket (spark generator) (5 pcs)		
31	65100514	Spark generator		
32	997089	Gas valve (SIT 845 SIGMA)		
33	999162	Pump bracket		
34	999598	Pump plug		
35	995364	Spacer plate (pump) (20 pcs)		
36	999100	Lock washer (20 pcs)		
37	996614	Kit for rear pump attachment		
38	997153	U-clip (20 pcs)		
39	998570	L.E.D.		
40	998575	Spindle (temperature knob)		
41	998603	Control knob		
42	998572	Spindle (on/off knob)		
43	999059	Front cover		
44	999942	Control panel (front)		
45	996163	Printed circuit board (CMP2 MI/FFI)		
46	569711	Nylon bush (10mm - 20 pcs)		
47	999245	Pressure gauge		
48	-----	Control panel		11
49	998953	Cable holder cover		
50	571548	U-Clip		
51	998517	Gasket (20 pcs)		
52	995979	Cable (power supply)		
53	998863	Low voltage wiring		
54	996335	Flue hood	B	
54	996425	Flue hood	A	
55	-----	Panel (combustion chamber rear)		11
56	573349	Spring (Flue Control Probe) (10 pcs)		
57	995348	Cable (flue control probe)	B	
57	995309	Cable (flue control probe)	A	
58	996126	Panel (insulation - rear)	A	
58	996161	Panel (insulation - rear)	B	
59	995893	Panel (combustion chamber - L.H. side)	A	
59	995922	Panel (combustion chamber - L.H. side)	B	
60	998639	Panel (insulation - side)		
61	996065	Thermostat (overheat- 103°C)		
62	998583	Fixing spring (overheat therm.) (5 pcs)		

PART.	CODE	DESCRIPTION	REF.	NOTE
63	99927	Cable (overheat thermostat)		
64	996158	Burner 12 ramp (N.G.)	A	
64	998887	Burner 14 ramp (N.G.)	B	
65	995335	Protection screen	B	
65	999411	Protection screen	A	
66	571646	Secondary exchanger (p-type 23kW)	A	
66	573295	Secondary exchanger (p-type 27kW)	B	
67	573825	O-Ring (secondary exchanger - 10 pcs)		
68	573172	Safety valve (1/2" 3 bar)		
69	998567	Nut (pipe - safety valve)		
70	573176	Pipe (safety valve outlet)		
71	65100432	Pipe (gas inlet)		
72	572138	Burner jet washer (20 pcs)		
73	998433	Burner jet 1.30 full kit (NG - 10 pcs)		
73	998434	Burner jet 0.77 full kit (LPG - 10 pcs)		
74	999435	Protection screen		
75	998898	Pipe (C.H. return)		
76	998604	Button (reset)		
77	998571	Reset button (insert)		
78	999148	Selector button (comfort)		
79	998579	Spindle (comfort)		
80	999968	Cable (P.C.B. - pump)		
81	569720	Blind grommet		
82	571787	Terminal board (two pole)		
83	997745	Cover (potentiometers/P.C.B.)		
84	65100251	Electrode (Ignition R.H.)		
85	65100250	Electrode (Ignition L.H.)		
86	998624	Electrode (Detection)		
87	998620	Main exchanger	A	
87	999152	Main exchanger	B	
88	65100555	Panel (combustion chamber - front)	A	
88	995921	Panel (combustion chamber - front)	B	
89	995952	Panel (insulation - front)	B	
89	995999	Panel (insulation - front)	A	
90	995923	Panel (combustion chamber - R.H. side)	B	
90	995892	Panel (combustion chamber - R.H. side)	A	
91	995312	Plate (frontal)	B	
201	999198	Flow regulator (8 L/min)		12
202	999199	Flow regulator (10 L/min)		12
203	999200	Flow regulator (12 L/min)		12
301	998695	Case panel (L.H. side)		
302	991944	Front panel crossbar		
303	998694	Case panel (R.H. side)		
304	995343	Panel (front case)	B	
304	998690	Panel (front case)	A	
305	995305	Washer (20 pcs)		
511	998716	Natural gas burner jet full kit (15 pcs)		12
512	998717	L.P.G. burner jet full kit (15 pcs)		12

NOTE	DESCRIPTION
11	Not supplied as a spare part
12	Not illustrated
13	Order also part. 201 or 202 or 203



PART.	CODE	DESCRIPTION	REF.	NOTE
311	998941	D.H.W. actuator kit		
312	571445	Filling tap kit		
351	998490	Central heating by-pass kit		
352	998718	3-Way spring kit (C.H.)		
353	998975	3-Way spring kit (D.H.W.)		
354	998974	Heating actuator bush		
371	571775	D.H.W. pressure switch top cover		
372	571771	Spring (main flow switch) (10 pcs)		
373	571772	Magnet (main flow switch)		
374	572170	Diaphragm (pressure switch)		
375	571777	D.H.W. pressure switch bottom cover		
376	998468	Pressure switch extension cable		
377	571776	Spring (inox)		14
378	998172	Microswitch (main flow switch)		
401	998644	O-ring (pump) (10 pcs)		
402	998643	Auto Air Vent		
403	998738	Gasket (pump head)		
404	996615	Kit (motor pump)		

NOTE	DESCRIPTION
14	For sanitary function only