



SPARE PARTS EXPLODED VIEW GAS WALL BOILERS

Model

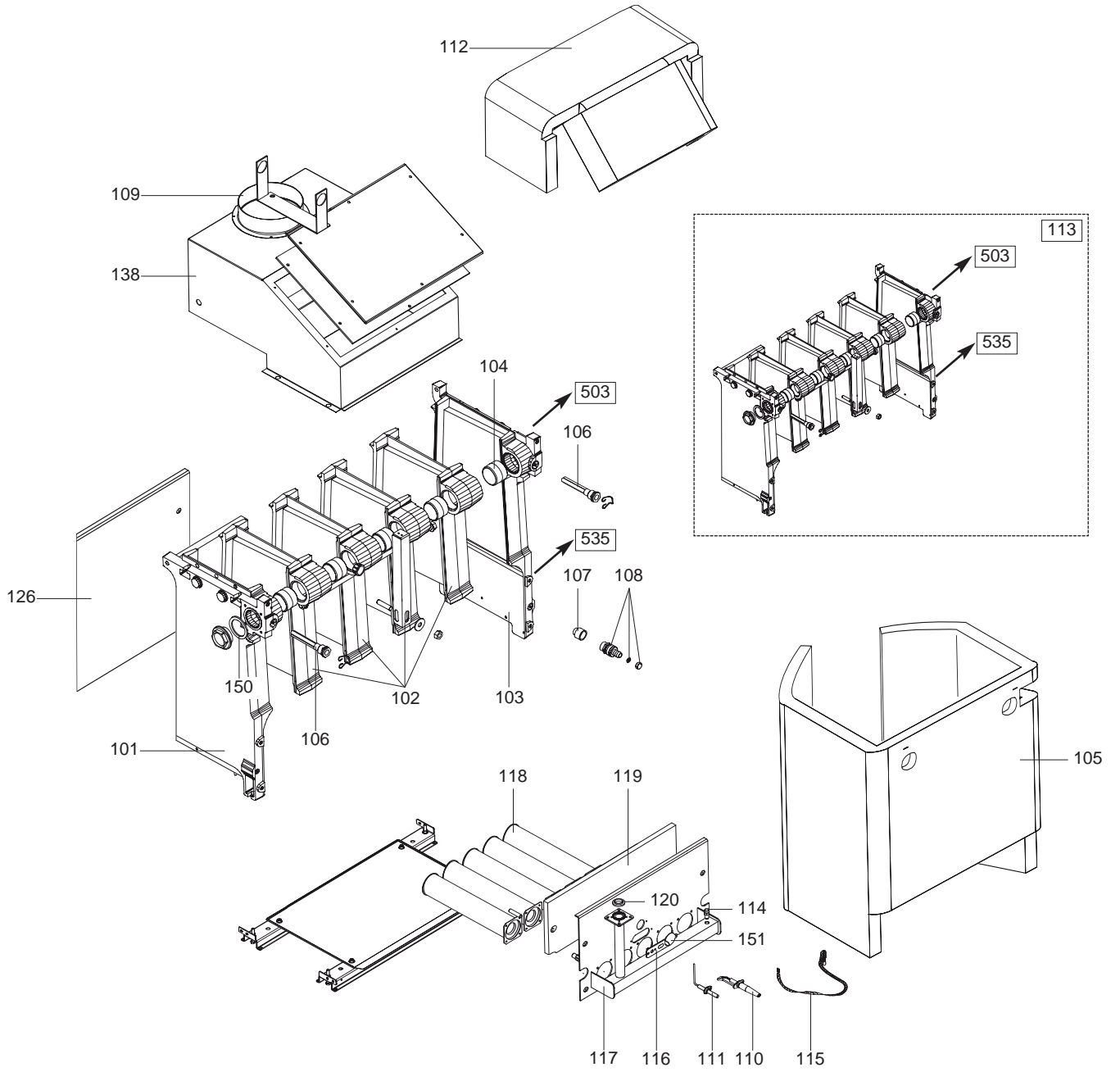
UNOBLOC G 24/31/38/45

R8215595-02EN - Edition 02 - 01/02/2011

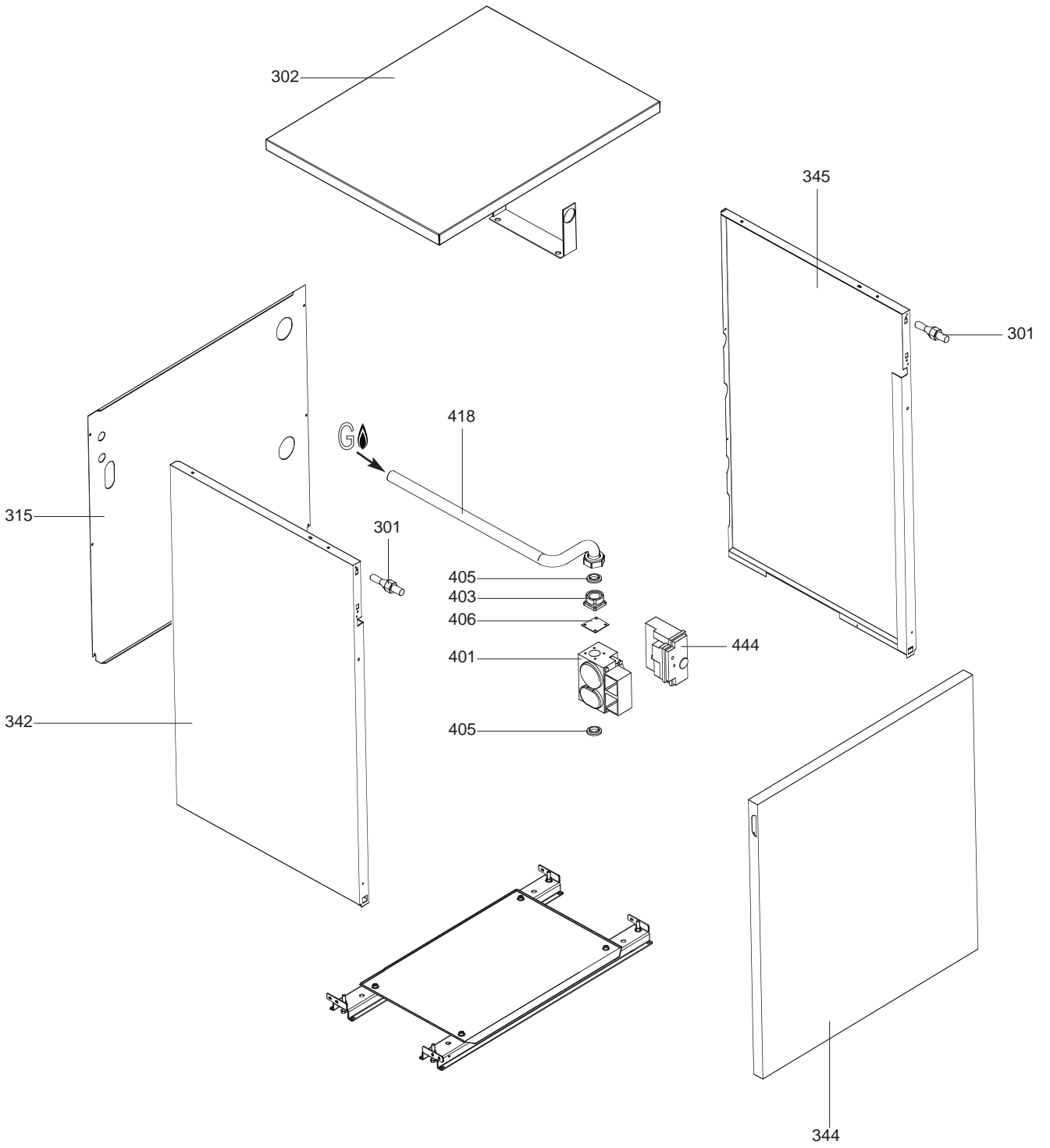
UNOBLOC G 24/31/38/45

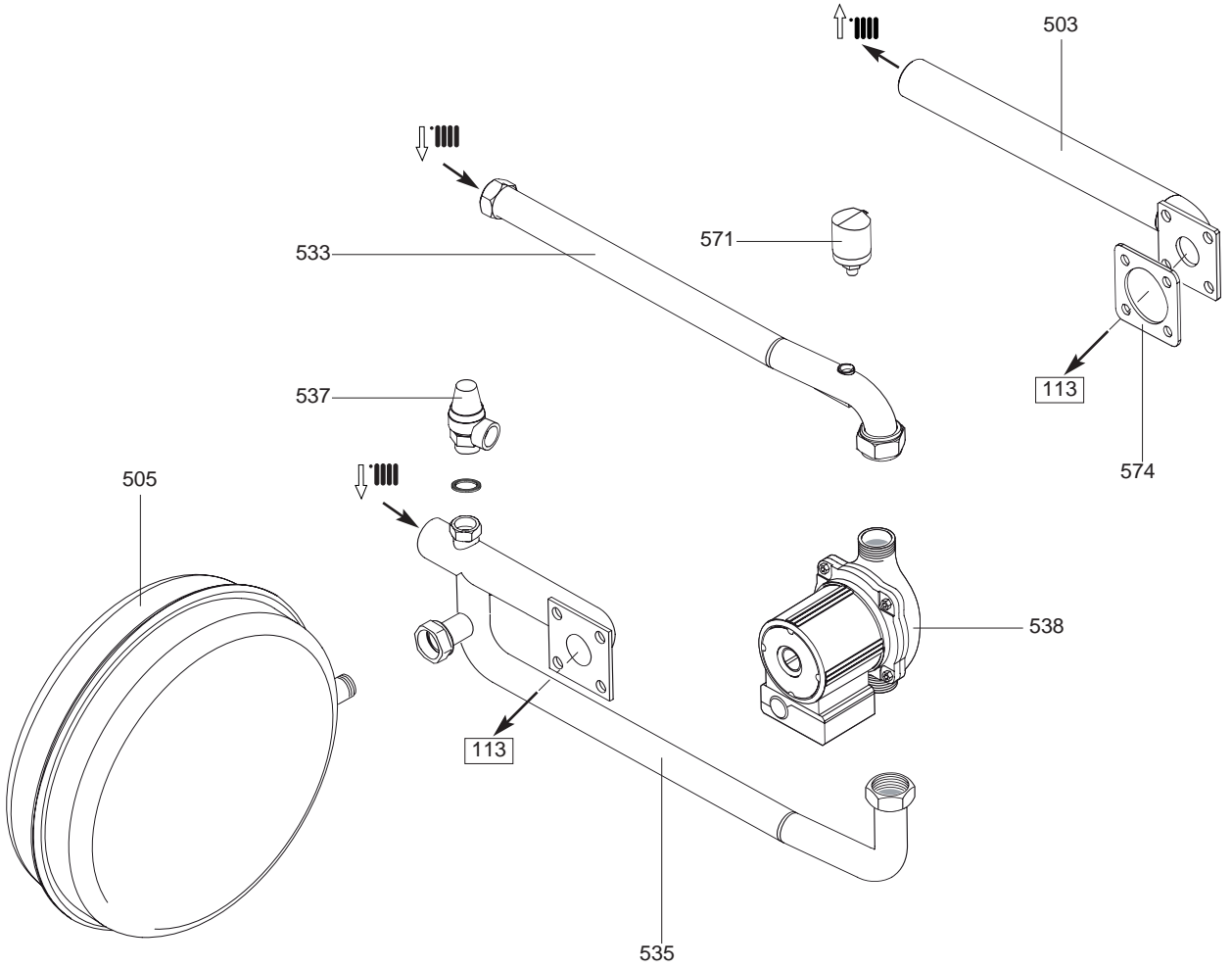
Domestic Gas Boilers

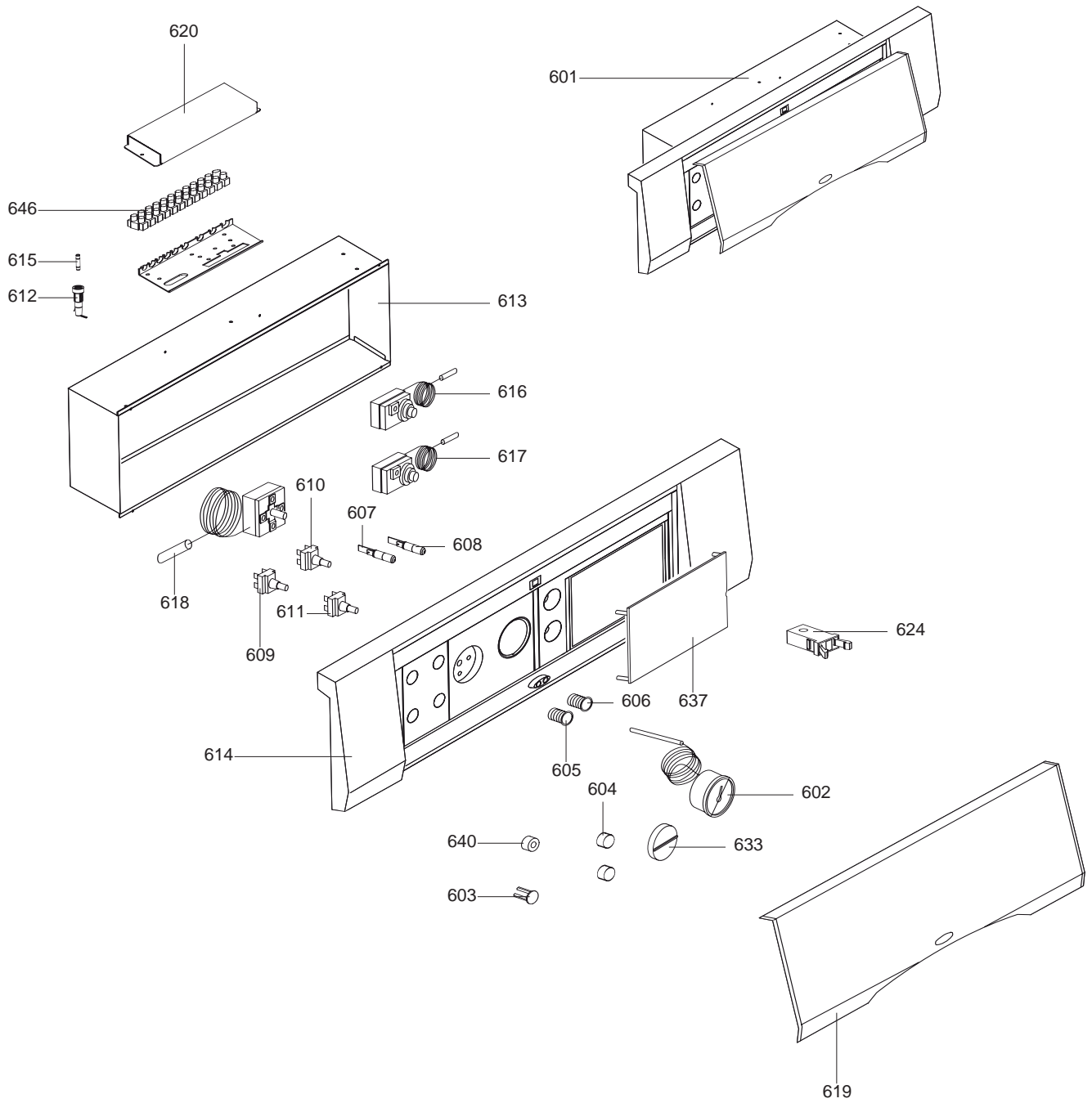
330 0017		UNOBLOC GPV 24 RI MET
330 0018		UNOBLOC GPV 31 RI MET
330 0019		UNOBLOC G 38 RI MET
330 0020		UNOBLOC G 45 RI MET
Reference	Ind.	Model type	Begin	End



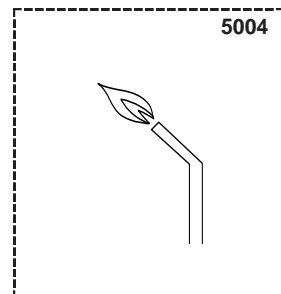
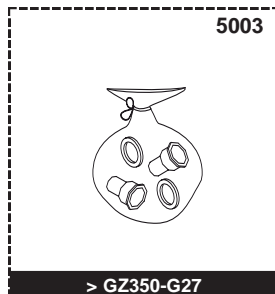
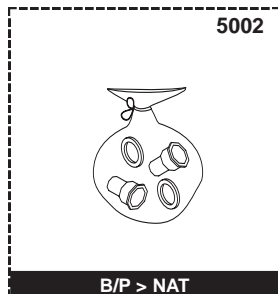
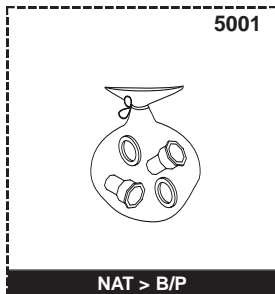
Key N	Description	Manf. Pt. N	Type					Manf. date	
				24	31	38	45	from	to
0100	SEALED CASE								
0101	SIDE ELEMENT (L.H.)	65102602		•	•	•	•		
0102	INTERMEDIATE ELEMENT	65102603		•	•	•	•		
0103	SIDE ELEMENT (R.H.)	65102604		•	•	•	•		
0104	BICONIC UNION	997318		•	•	•	•		
0105	BOILER INSULATION	65102613			•				
	BOILER INSULATION	65102619		•					
	BOILER INSULATION	65102672				•			
	BOILER INSULATION	65102689					•		
0106	PROBES HOLDER PLUG	65102607		•	•	•	•		
0107	EXTENSION M-F	65102609		•	•	•	•		
0108	DRAIN COCK	997390		•	•	•	•		
0109	COLLAR	65102614		•	•	•	•		
0110	ELECTRODE (IGNITION)	65102626		•	•	•	•		
0111	ELECTRODE (DETECTION)	65102636		•	•	•	•		
0112	FLUE HOOD INSULATION	65102612			•				
	FLUE HOOD INSULATION	65102617		•					
	FLUE HOOD INSULATION	65102671				•			
	FLUE HOOD INSULATION	65102688					•		
0113	CONDENSER	65102601			•				
	CONDENSER	65102605		•					
	CONDENSER	65102668				•			
	CONDENSER	65102685					•		
0114	INTAKE (PRESSURE)	997347		•	•	•	•		
0115	SHIELDING (IGNITION ELECTRODE)	999866		•	•	•	•		
0116	ELECTRODE HOLDER PLATE	65102634		•	•	•	•		
0117	GAS MANIFOLD	65102623			•				
	GAS MANIFOLD	65102625		•					
	GAS MANIFOLD	65102676				•			
	GAS MANIFOLD	65102690					•		
0118	PIPE (BURNER)	65102635		•	•	•	•		
0119	GAS MANIFOLD INSULATION	65102628			•				
	GAS MANIFOLD INSULATION	65102637		•					
	GAS MANIFOLD INSULATION	65102675				•			
	GAS MANIFOLD INSULATION	65102692					•		
0120	GASKET	997410		•	•	•	•		
0126	INSULATING PANEL	65102606		•					
	INSULATING PANEL	65102608			•				
	INSULATING PANEL	65102669				•			
	INSULATING PANEL	65102686					•		
0138	FLUE HOOD	65102610		•					
	FLUE HOOD	65102611			•				
	FLUE HOOD	65102670				•			
	FLUE HOOD	65102687					•		
0150	GASKET	997405		•	•	•	•		
0151	PILOT HOLE COVER	997432		•	•	•	•		







5000



Key N	Description	Manf. Pt. N	Type					Manf. date	
				24	31	38	45	from	to
0600	ELECTRICAL BOX								
0601	ELECTRIC PANEL (COMPLETE)	65102640		•	•				
	ELECTRIC PANEL (COMPLETE)	65102680				•	•		
0602	THERMOMETER	65102659		•	•	•	•		07/00
	THERMOMETER	999807		•	•	•	•	08/00	
0603	PLUG	65102645		•	•	•	•		
0604	BUTTON	65102646		•	•	•	•		
0605	SIGNAL LAMP CAP (GREEN)	65102650		•	•	•	•		
0606	SIGNAL LAMP CAP (RED)	65102682		•	•	•	•		
0607	SIGNAL LAMP	65102652		•	•	•	•		
0608	SIGNAL LAMP	65102653		•	•	•	•		
0609	SWITCH	65102654		•	•	•	•		
0610	BIPOLAR SWITCH	65102655		•	•	•	•		
0611	SWITCH	65102656		•	•	•	•		
0612	FUSES HOLDER	65102657		•	•	•	•		
0613	CONTROL PANEL FRAME	65102648		•	•	•	•		
0614	CONTROL PANEL	65102641		•	•				
	CONTROL PANEL	65102681				•	•		
0615	FUSE	65102658		•	•	•	•		
0616	THERMOSTAT (SAFETY)	65102660		•	•	•	•		
0617	THERMOSTAT (FLUE SAFETY)	997429		•	•	•	•		
0618	THERMOSTAT (REGULATION)	65102662		•	•	•	•		
0619	ELECTRIC BOX COVER	65102664		•	•	•	•		
0620	SERVICE COVER	65102665		•	•	•	•		
0624	PUSH-PUSH	65102647		•	•	•	•		
0633	CONTROL KNOB	65102643		•	•	•	•		
0637	COVER (THERMOSTAT REGULATION)	65102642		•	•	•	•		
0640	PUSH BUTTON	65102644		•	•	•	•		
0646	COMPLETE WIRING (ELECTRIC PANEL)	65102649		•	•	•	•		
5000	ACCESSORY								
5001	LPG BURNER JET FULL KIT	65102976		•	•				
	LPG BURNER JET FULL KIT	65102977				•	•		
5002	NATURAL GAS BURNER JET FULL KIT	65102627		•					
	NATURAL GAS BURNER JET FULL KIT	65102629			•				
	NATURAL GAS BURNER JET FULL KIT	65102678				•			
	NATURAL GAS BURNER JET FULL KIT	65102691					•		
5003	GZ350-G27 GAS BURNER JET FULL KIT	65102979		•	•				
	GZ350-G27 GAS BURNER JET FULL KIT	65102980				•	•		
5004	INTERMITTENT PILOT (KIT)	65102982		•	•	•	•		

LIST OF THE ABBREVIATIONS

HW	: Hot water.
CW	: Cold water.
C	: Ceramic resistance (normal heating).
Ca	: Ceramic resistance (accelerated heating)
TP	: Immersion heater.
1F	: With fittings.
2F	: Without fittings.
3F	: With fittings and another outlet connection.
AMI	: With mixing valve.
SMI	: Without mixing valve.
PUISS	: Power of th appliance.
PN	: Appliance with normal pression.
LP	: Appliance with low pression.
PV	: Appliance with variable power.
PF	: Appliance with fixed power..

IDENTIFICATION PLATE

SERIAL NUMBER

11 Characters :	1 95 065004 - 31	
Month of manufacture :	_____	Technical number of the appliance
from 1 to 9 → Jan. to Sep.,	_____	Sequential number
O → Oct., N → Nov.,	_____	Year of manufacture
D → Dec.	_____	
19 Characters :	08 05 0013199 900640031	
Year of manufacture	_____	Product reference
Month of manufacture	_____	Sequential number
20 Characters :	3675007 XX 2 07 070 00315	
Product reference	_____	Sequential number
Millenium of manufacture	_____	Manufacturing day
	_____	Year of manufacture
21 Characters :	3675007 XX 07 070 0000315	
Product reference	_____	Sequential number
Year of manufacture	_____	Manufacturing day

The indications mentionned on the prices, commercial or technical literature and the scheme are written for your guidance and are available at a given time. The CONSTRUCTOR retains the power to modify the presentation, the form, the size, the conception or the material of the products.

