



SPARE PARTS LIST
GAS WATER HEATER GEYSER

Models

SGA 120 R -M99

SGA 150 R -M99

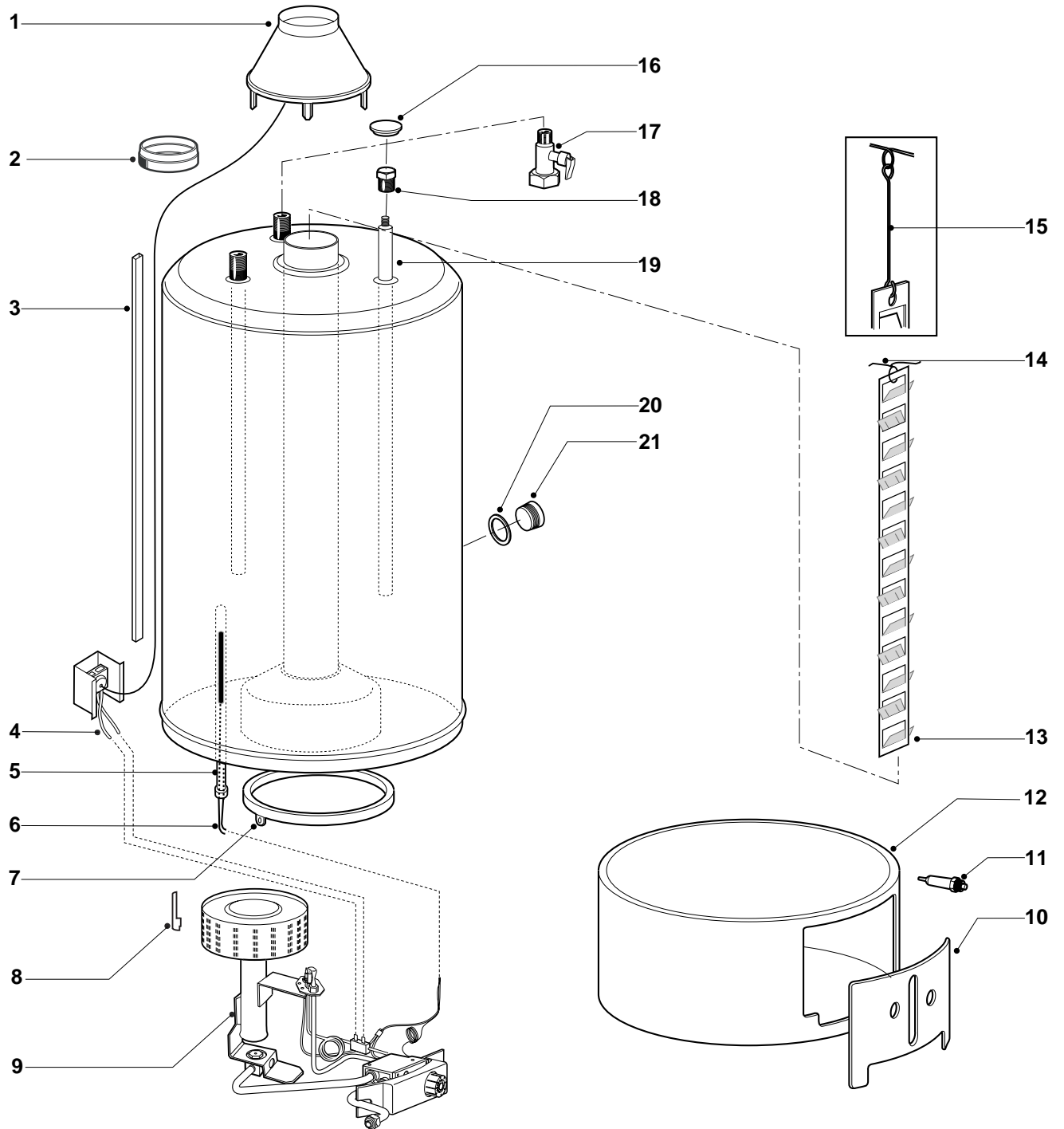
SGA 200 R -M99

Edition 2 of 6 November 2003

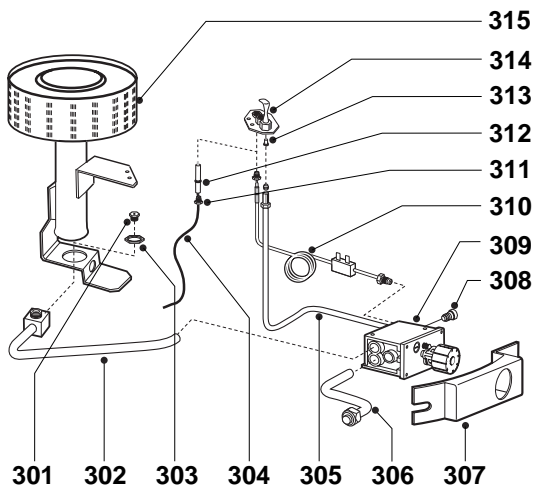


Add to Edition 1

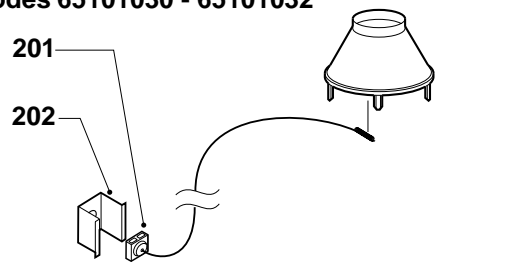
ER2003070010502001



Codes 216897 - 216898 - 216899



Codes 65101030 - 65101032



MODELS	CODE	SERIAL NO. VALIDITY	REF.
SGA 120 R -M99	007728	031000001007728	A
SGA 150 R -M99	007729	031000001007729	B
SGA 200 R -M99	007730	031000001007730	C

ER2003070010502001

PART.	CODE	DESCRIPTION	REF.	NOTE
1	65101030	Flue hood (complete)	AB	
1	65101032	Flue hood (complete)	C	
2	289353	Flue hood ring	C	
3	220375	Adhes.chann. (fume protect.probe L=666)	A	
3	220379	Adhes.chann. (fume protec.probe L=1000)	BC	
4	215242	Cable (thermal protection)		
5	123516	Sheath (G3/4x530)		
6	65100863	Thermostat (safety)		
7	290919	Water tray		
8	290356	Spring (probe clamp) (20 pcs)		
9	216897	Gas group	A	
9	216898	Gas group	B	
9	216899	Gas group	C	
10	289252	Complete molding door		
11	200254	Push button (piezo)		
12	289446	Base		
13	289280	Flue baffle	B	
13	289295	Flue baffle	A	
13	289296	Flue baffle	C	
14	290450	Spring (flue baffle support)		
15	290017	Extension (flue baffle - L=342mm)	C	
15	290192	Extension (flue baffle - L=250mm)	B	
16	220550	Boss (89xF32.5)		
17	469446	Safety valve (3/4" 8 Bar)		
18	230536	Iron plug (G3/4-M8 H64)		
19	291085	Anode (magnesium M8 21.3x660)	A	
19	291086	Anode (magnesium M8 21.3x800)	B	
19	291087	Anode (magnesium M8 21.3x1000)	C	
20	290128	Rubber gasket (20 pcs)		
21	230519	Discharge plug		
101	211538	Cable clamp (D. 7.5)		11
102	990073	Pipe fittings kit		11
201	212541	Bulb thermostat 85° (unipolar)		
202	220374	Fume thermostat protection		
301	289037	Burner jet (NG)	C	
301	290597	Burner jet (NG)	AB	
302	122459	Pipe (gas valve/burner)		
303	240151	Nut (M16x1) (10 pcs)		
304	200252	Cable (piezo ignition)		
305	122251	Pipe (gas valve/pilot burner)		12
306	230772	Gas inlet pipe		
307	220716	Gas valve support		
308	243020	Regulator (pressure)		
309	107835	Gas valve with capacity regulator		
310	200169	Thermocouple interrupted L= 290		
311	230712	Ignition electrode fixing fitting		
312	200253	Ignition plug		
313	290726	Burner jet (pilot - NG) (5 pcs)		
314	290643	Burner (pilot)		
315	290626	Burner		

NOTE	DESCRIPTION
11	Not illustrated
12	With pipe order kit Part.102

ER2003070010502.001