

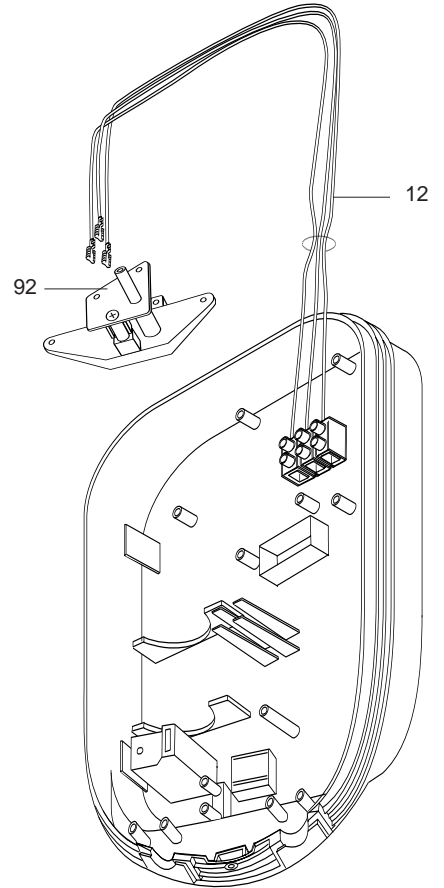
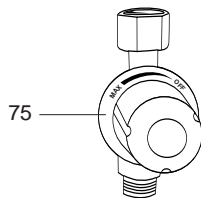
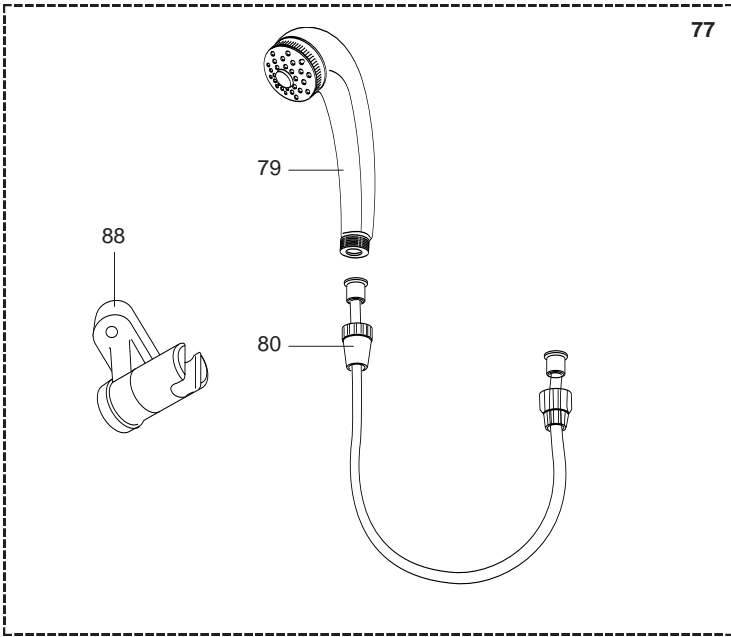
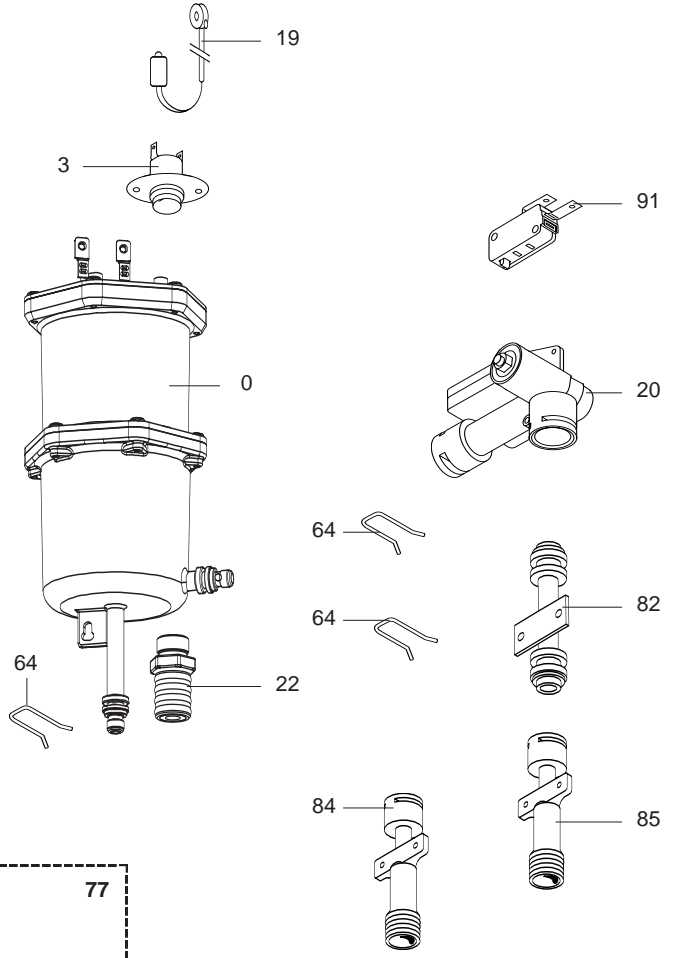
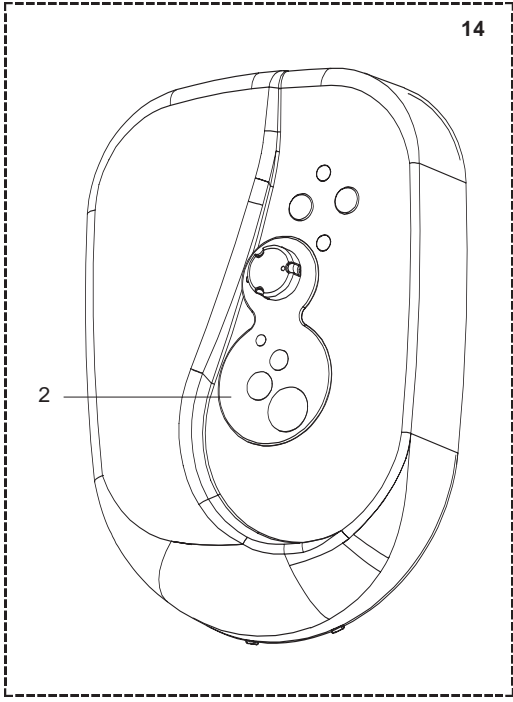
SPARE PARTS EXPLODED VIEW STORAGE ELECTRIC WATER HEATERS

Model

BRAVO M

R8215523-01EN - Edition 01 - 16/08/2006

352 0002		BRAVO M 3323 U-PV1
352 0003		BRAVO M 4523 U-PV1
352 0004		BRAVO M 7023 U-PV1
Reference	Ind.	Model type	Begin	End



LIST OF THE ABBREVIATIONS

HW	: Hot water.
CW	: Cold water.
C	: Ceramic resistance (normal heating).
Ca	: Ceramic resistance (accelerated heating)
TP	: Immersion heater.
1F	: With fittings.
2F	: Without fittings.
3F	: With fittings and another outlet connection.
AMI	: With mixing valve.
SMI	: Without mixing valve.
PUISS	: Power of th appliance.
PN	: Appliance with normal pression.
LP	: Appliance with low pression.
PV	: Appliance with variable power.
PF	: Appliance with fixed power..

IDENTIFICATION PLATE

SERIAL NUMBER

Ex: 03 09 08

Manufacturing day
 Month of manufacture : from 1 to 12 → January to December
 Year of manufacture

OR

Ex: 02 11 00001 007843

Product reference
 Sequential number
 Month of manufacture : from 1 to 12 → January to December
 Year of manufacture

The indications mentioned on the prices, commercial or technical literature and the scheme are written for your guidance and are available at a given time. The CONSTRUCTOR retains the power to modify the presentation, the form, the size, the conception or the material of the products.