

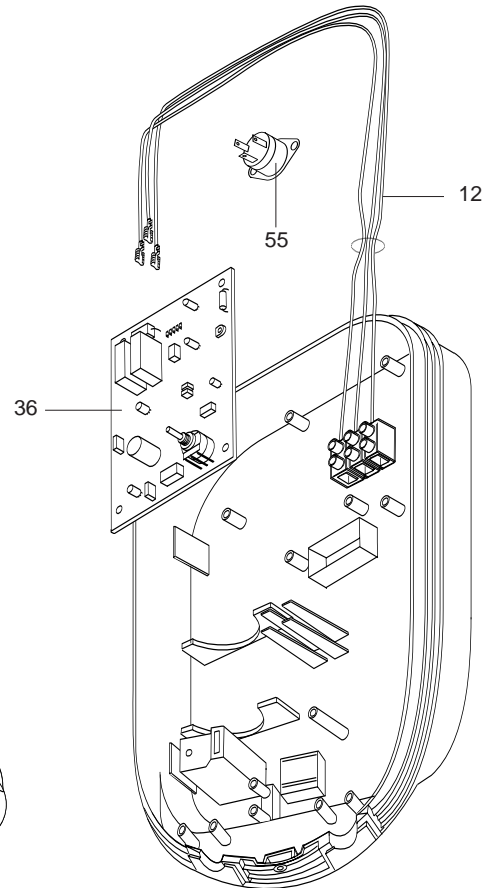
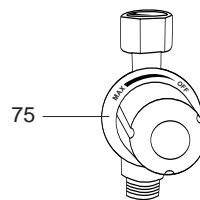
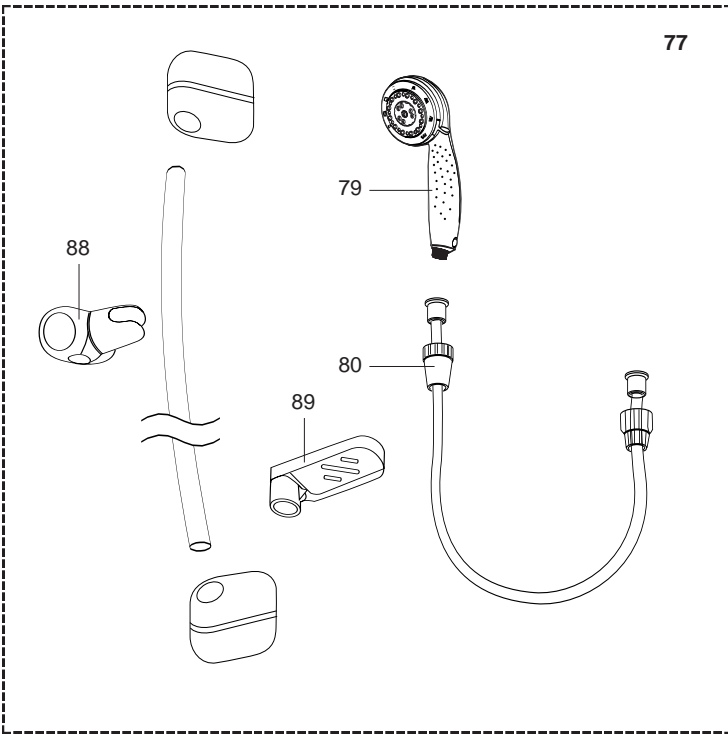
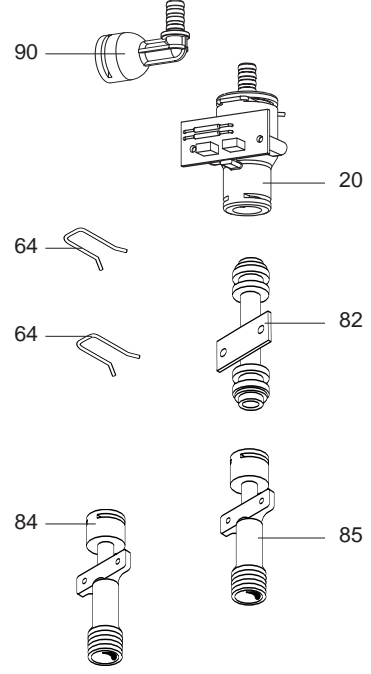
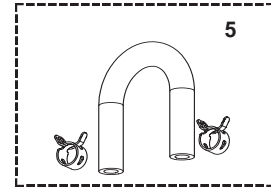
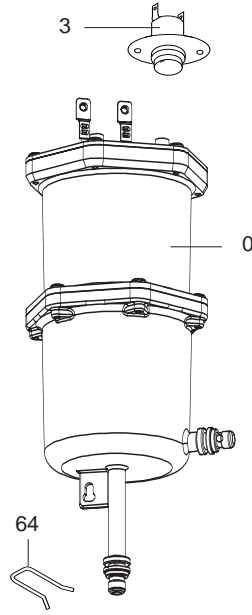
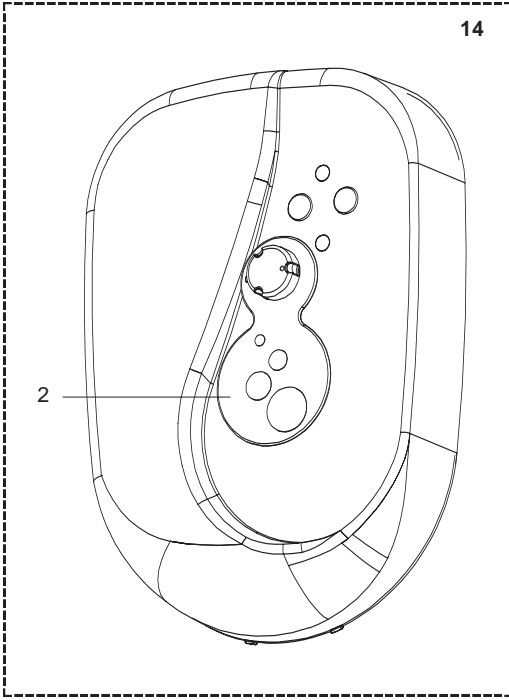
# SPARE PARTS EXPLODED VIEW STORAGE ELECTRIC WATER HEATERS

Model

## **BRAVO E**

R8215520-01EN - Edition 01 - 27/07/2006

352 0005		BRAVO E 3323 U-F7	...	...
352 0006		BRAVO E 4523 U-F7	...	...
352 0007		BRAVO E 7023 U-F7	...	...
Reference	Ind.	Model type	Begin	End



Key N	Description	Manf. Pt. N	Other	Type				Manf. date	
					3023	4023	7023	from	to
0000	HEATING TANK 3.3KW 230V	65170103			•				
	HEATING TANK 4.5KW 230V	65170104			•				
	HEATING TANK 7KW 230V	65170106				•			
0002	FLANGE BLUE	65170092			•				
	FLANGE GREY	65170093			•				
	FLANGE ORANGE	65170094				•			
0003	THERMOSTAT 16A 57Å°C	960007			•				
	THERMOSTAT 16A 85Å°C	960067			•	•	•		
0005	KIT PVC HOSES AND CLAMPS	65170023			•	•	•		
0012	WIRING ELECTRONIC 3.3 KW	65170109			•				
	WIRING ELECTRONIC 4.5KW	65170110				•			
	WIRING ELECTRONIC 7KW	65170111					•		
0014	PLASTIC COVER (COMPLETE) BLUE	65170086			•				
	PLASTIC COVER (COMPLETE) GREY	65170087				•			
	PLASTIC COVER (COMPLETE) ORANGE	65170088					•		
0020	FLOW SWITCH ASSEMBLY	65170012			•	•	•		
0036	P.C.B.	65170037			•	•	•		
0055	TRIAC 40A	65170033				•	•		
	TRIAC 25A	960028			•				
0064	O-RING AND FIXING FORK (KIT)	960021			•	•	•		
0075	EXTERNAL TAP	65170046			•	•	•		
0077	SHOWER GROUP	960144			•	•	•		
0079	SHOWER HEAD	960148			•	•	•		
0080	HOSE (L=150 CM)	960147			•	•	•		
0082	INLET CONNECTION PIPE	960002			•	•	•		
0084	OUTLET FITTING (RED)	960004			•	•	•		
0085	INLET FITTING	65170060			•	•	•		
0088	SLIDING LATCH	960149			•	•	•		
0089	SOAP TRAY	960150			•	•	•		
0090	HOSE FITTING ELBOW	65170116			•	•	•		

## LIST OF THE ABBREVIATIONS

HW .....	: Hot water.
CW .....	: Cold water.
C .....	: Ceramic resistance (normal heating).
Ca .....	: Ceramic resistance (accelerated heating)
TP .....	: Immersion heater.
1F .....	: With fittings.
2F .....	: Without fittings.
3F .....	: With fittings and another outlet connection.
AMI .....	: With mixing valve.
SMI .....	: Without mixing valve.
PUISS .....	: Power of th appliance.
PN .....	: Appliance with normal pression.
LP .....	: Appliance with low pression.
PV .....	: Appliance with variable power.
PF .....	: Appliance with fixed power..

## IDENTIFICATION PLATE

### SERIAL NUMBER

Ex: 03 09 08

Manufacturing day  
 Month of manufacture : from 1 to 12 → January to December  
 Year of manufacture

OR

Ex: 02 11 00001 007843

Product reference  
 Sequential number  
 Month of manufacture : from 1 to 12 → January to December  
 Year of manufacture

The indications mentioned on the prices, commercial or technical literature and the scheme are written for your guidance and are available at a given time. The CONSTRUCTOR retains the power to modify the presentation, the form, the size, the conception or the material of the products.