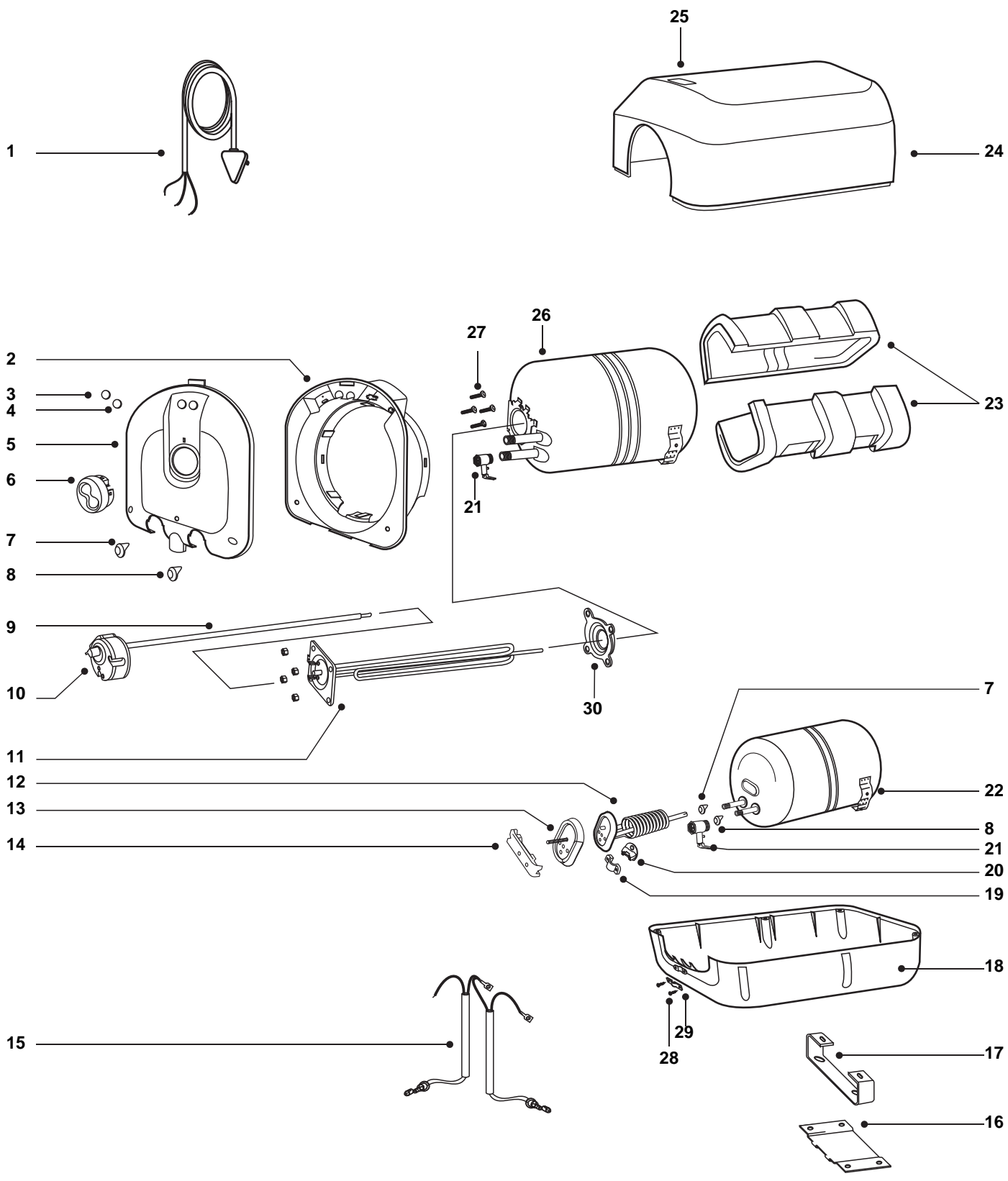




SPARE PARTS LIST
ELECTRIC STORAGE WATER HEATER
Model
PLATINUM VERTICAL

Oct. - 2005





MODEL	CODE NO.	REF.
SI/10 V	506433	A
SI/15 V	506435	B
SI/30 V	506437	C

Model
PLATINUM VERTICAL

PART	CODE	DESCRIPTION	REF.	Note
1	065160275	P.S.CABLE SHUCKO SST 10 L	A	
1	065160276	P.S.CABLE SHUCKO BST 15-30 L	B,C	
2	0507408	PLASTIC RING WHITE ETERNO	A,B,C	
3	0507371	SMALL COVER FOR ORANGE LAMP	A,B,C	
4	0507383	SMALL COVER FOR RED LAMP	A,B,C	
5	0507441	INSP.COVER WHITE ER-V PRINTED	A,B,C	
6	0508185	THER. KNOB LARGE NEW, WHITE	A,B,C	
7	0507486	PLA. RED TUBE RING	A,B,C	
8	0507487	PLA. BLUE TUBE RING	A,B,C	
9	0691233	THERMOSTAT TBS2 R 300 55/67	A,B	
9	0691234	THERMOSTAT TBS2 R 300 55/85	C	
10	0507488	KNOB INNER THERMOSTAT,WHITE	A,B,C	
11	0508802	H.E. ASSY.ER/AL(15 TO 50) VERT	B,C	
12	065160138	H.E ASSLY.ER-10V/AL-06	A	
13	0508355	RUBBER GASKET 6 & 10 LTR NEW	A	
14	0508356	MS CLAMP 6 & 10 LTR NEW	A	
15	0507191	NEON LAMP ASSLY	A	
15	0507656	HARNESS ASSLY. NEW ETERNO	B,C	
16	065160147	INSTALLATION BKT. VERT., NEW	A,B,C	
17	0507491	MIDDLE BRACKET 15LTR ETERNO	A,B	
17	0507490	MIDDLE BRACKET 25LTR ETERNO	C	
18	065160143	PL BACK OUTER 10LTR WHITE NEW	A	
18	065160145	PL BACK OUTER 15LTR WHITE NEW	B	
18	0507440	PLASTIC BACK OUTER 25LTR WHITE	C	
19	0507444	CABLE HOLDER CLIP WHITE	A,B,C	
20	065160281	PROTECTIVE CAP HEATING ELEMENT	A,B,C	
21	0868367	SAFETY VALVE 7-BAR WITH LEAVER	A,B,C	
22	065160140	316L INNER CONT ER-10 NEW	A	
23	0507640	FRONT BACK SET, PUF ER-10	A	
23	0508189	PUF SET (MODIFIED) ER-25V	C	
23	0507635	PUF SET (MODIFIED) ER-15V	B	
24	065160144	PL FRONT OUTER SI-10V WH NEW	A	
24	065160146	PL FRONT OUTER SI-15V WH NEW	B	
24	065160158	PLASTIC FRONT OUTER SI-30V WH	C	
25	065160250	PL NAME PLATE PLATINUM-VERT	A,B,C	
26	065160134	316L INNER CONT. ASSLY ER-15V	B	
26	065160136	316L INNER CONT. ASSLY ER-25 V	C	
27	065160142	M6-BRASS HEX NUT - INNER ASLY	B,C	
28	0507444	CABLE HOLDER CLIP WHITE	A,B,C	
29	0507467	PH.HD.SELF TAPP.SCERW 6 X 16MM	A,B,C	
30	0508024	GASKET HEATING ELEMENT NE/NR	B,C	

USEFUL TIPS

Instructions for the reader.

This manual of "SPARE PARTS LIST, PLATINUM VERTICAL WATER HEATER is designed to help you to find the right spare part for repairs quickly and easily. The drawings and list of spare parts refers only to the models shown in the table under the drawing.

Remember that the list of spare parts will help you to find,

- The position in the drawing of all spare parts available as spares under the (" PARTS" column)
- The code to use when requesting the spare part.
- A brief description of the spare part.
- The applicability of the spare part to specific models (" REF." Column). If the box is blank, the spare part may be used in all the models to which the blow up refers.
- Comments.

Requesting spare parts

When ordering spare parts remember to specify the code and number of parts required, as well as the name and address of the company requesting the spare part. Orders should be sent by fax to Merloni TermoSanitari (India.) Ltd. Chakan. on the following number.

02135-254025 or 252966 (FAX)

Contacting the MTS (India) Service Department.

The MTS (India) Servicing Center has a special department that provides detailed information on how to resolve any of the technical problems that may be encountered with the PLATINUM VERTICAL WATER HEATER Service Centers may use this service by calling the following numbers.

02135- 253593/94/95/96