



SPARE PARTS LIST
ELECTRIC WATER HEATER GEYSER

Models

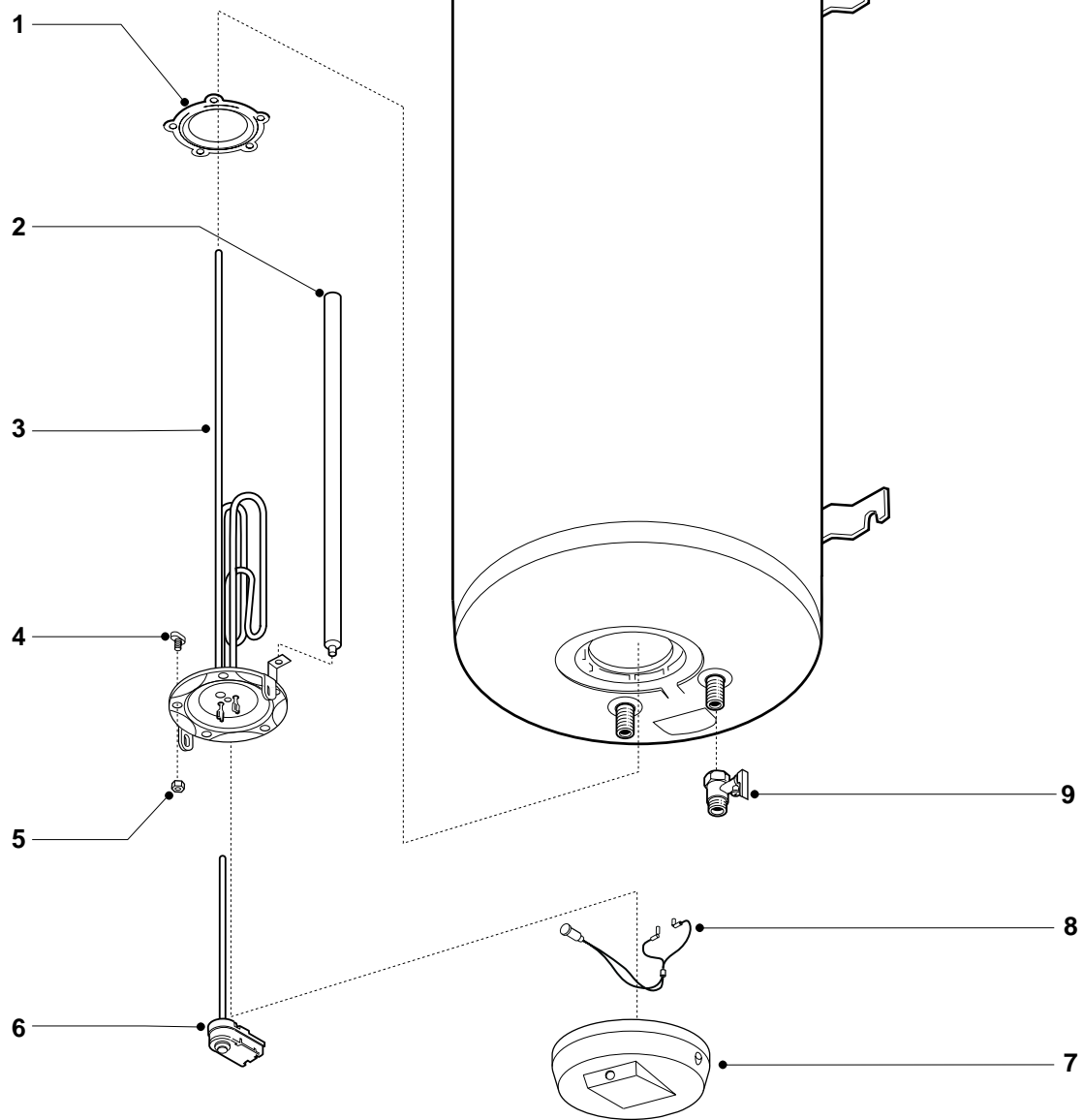
SG 120

SG 150

SG 200

Edition 1 of 1 September 2001





ER2001830038101001

MODELS	CODE	SERIAL NO. VALIDITY	REF.
SG 120	007826	0107 00001 007826	A
SG 150	007827	0107 00001 007827	B
SG 200	007828	0107 00001 007828	C

PART.	CODE	DESCRIPTION	REF.	NOTE
1	571312	Element gasket (5 Stud)	BC	
2	291085	Anode (magnesium M8 21.3x660)	B	
2	291087	Anode (magnesium M8 21.3x1000)	C	
2	570285	Anode (magnesium M8 21.3x380)	A	
3	810303	Element RMF RH5 (2200W - 230V)	B	11
3	810304	Element RMF RH5 (2500W - 230V)	C	11
3	990113	Element RMF 300 (2000W - 230V)	A	12
4	570316	Flange screw (M8x20)		
5	240150	Nut M8		
6	697102	Thermostat	BC	
6	990112	Thermostat	A	
7	220067	Plastic cover		
8	469105	Signal lamp		
9	469446	Safety valve (3/4" 8 Bar)	BC	
9	571730	Safety valve	A	

NOTE	DESCRIPTION
11	Flange code is 125106
12	Flange code is 570407