

**SPARE PARTS LIST
ELECTRIC STORAGE WATER HEATER**

Model

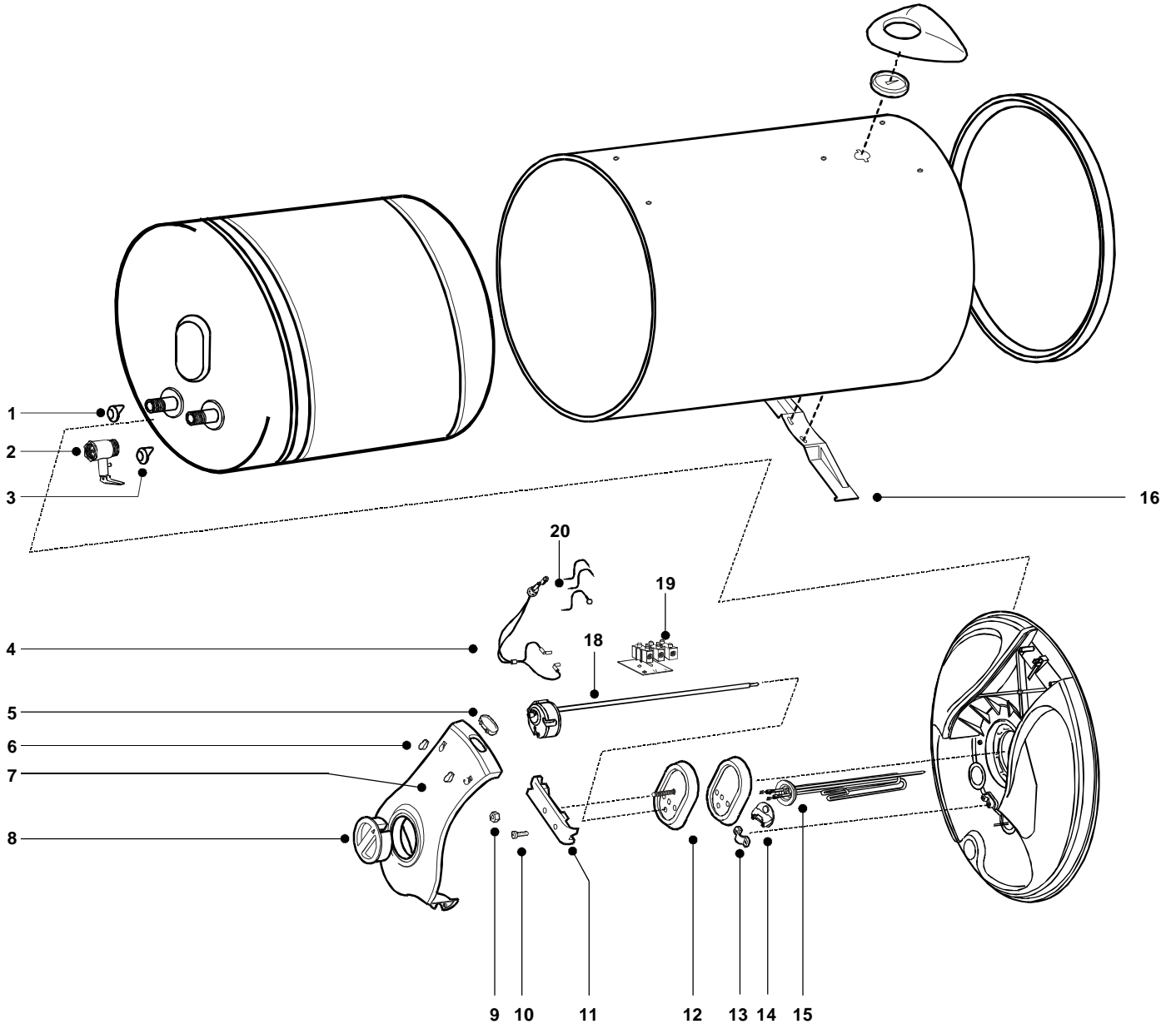
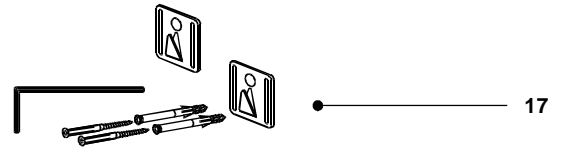
SI 50 V

SI 80 V

SI 100 V

Edition 1 of 10 June 2003





MODEL	CODE	SERIAL NUMBER VALIDITY	REF.
SI 50 V	506441	030400001006800	A
SI 80 V	506443	030400001006801	B
SI 100 V	506445	030400001006802	C

ER2003830062201001

PART.	CODE	DESCRIPTION	REF.	NOTE
1	502386	Plastic tube ring red		
2	994097	Safety valve (1/2" 7 Bar) with lever		
3	502387	Plastic tube ring blue		
4	993025	Signal lamp		
5	508807	Lamp cover		
6	502394	Screw cover		
7	502389	Inspection cover		
8	502391	Dial knob		
9	570127	M8x14x8 hexagonal nut (20 pcs)		
10	993000	Wood screw (thread M6x14 8mm) (20 pcs)		
11	502383	HE holding bracket		
12	993012	Flange with gaslet		
13	502392	Plasti cable holder		
14	993010	Terminal shield (red) (10 pcs)		
15	816600	Element RCA 300 (1500W 230V)		
16	502419	Instalation bracket		
17	508070	Dowels mounting		
18	65100311	Thermostat (TBS 2 -R 300)		
19	508165	Connector		
20	508100	Harness set		

NOTE	DESCRIPTION
-------------	--------------------