



**SPARE PARTS LIST
ELECTRIC WATER HEATER GEYSER**

Models

TI 10 OR EE

TI 15 OR EE

TI 30 OR EE

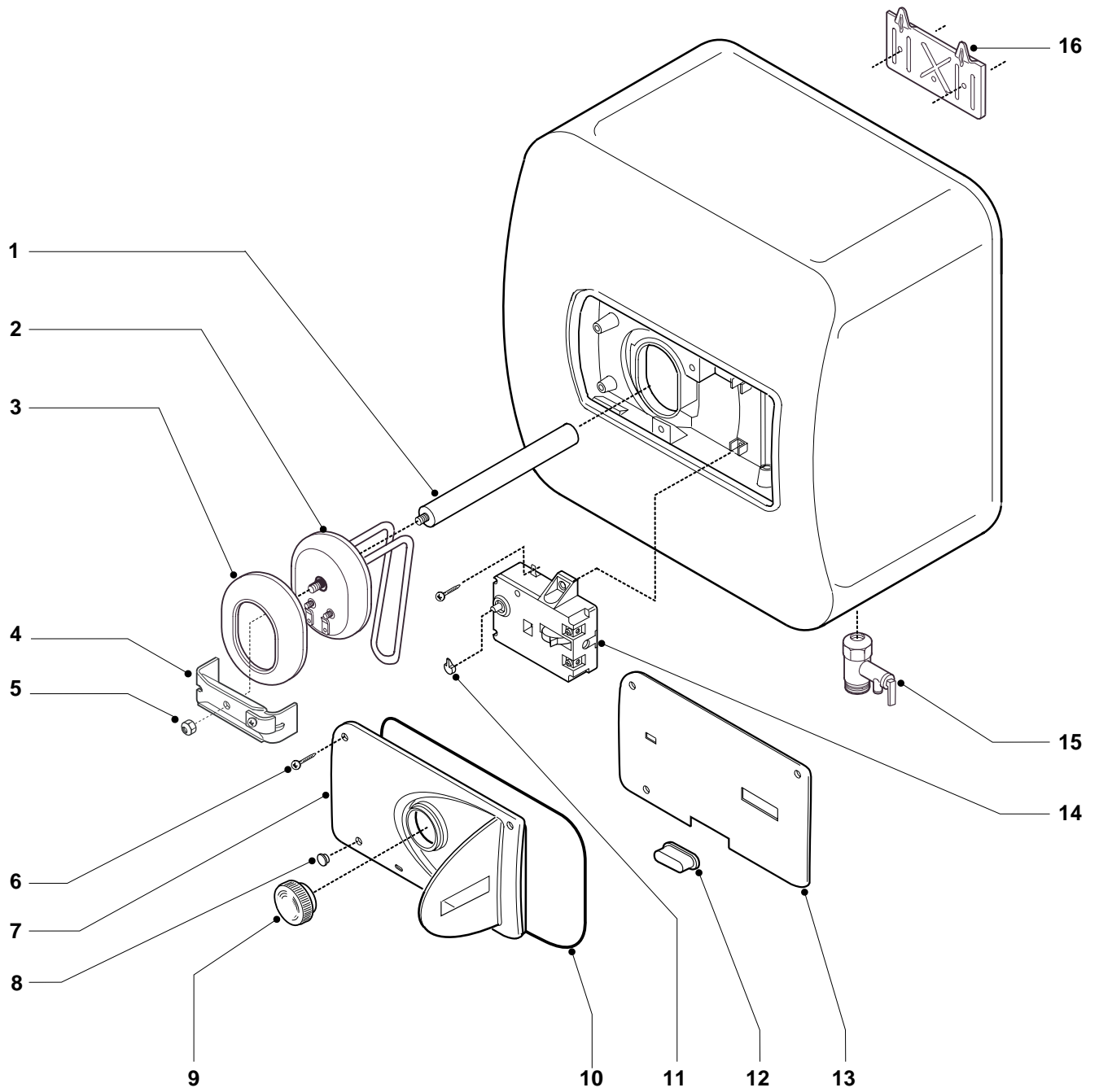
Edition 1 of 1 March 2000

Revision 1 of 3 July 2003



Replaces Edition 1

ER2003830011307017



ER2003830011301011

| MODELS | CODE | SERIAL NO. VALIDITY | REF. |
|-------------|--------|---------------------|------|
| TI 10 OR EE | 868337 | 000718 | A |
| TI 15 OR EE | 868339 | 000718 | B |
| TI 30 OR EE | 868341 | 000718 | C |

| PART. | CODE | DESCRIPTION | REF. | NOTE |
|--------------|-------------|--|-------------|-------------|
| 1 | 570241 | Anode (magnesium M4 14x210) | C | |
| 1 | 574305 | Anode (magnesium M4 14x155) | AB | |
| 2 | 990966 | Element (1500W 220-240V) | C | 21 |
| 2 | 990967 | Element (1500W 220-240V) | AB | 22 |
| 3 | 65100282 | Flange gasket (5 pcs) | | 23 |
| 4 | 570024 | Flange bracket | | |
| 5 | 570069 | Retaining nut (Heating element) (20 pcs) | | |
| 6 | 570074 | Screw (6Px15.87) (20 pcs) | | |
| 7 | 994138 | Plastic cover (complete) | | 24 |
| 8 | 994087 | Screw cover | | |
| 9 | 994083 | Regulation knob | | |
| 10 | 571406 | Plastic cover gasket (5 pcs) | | |
| 11 | 570029 | Cap (regulation) | | |
| 12 | 570025 | Switch protection | | |
| 13 | 571400 | Splash preventer | | |
| 14 | 691499 | Thermostat | AB | |
| 14 | 691598 | Thermostat | C | |
| 15 | 571730 | Safety valve (1/2" 8,1 Bar) | | |
| 16 | 570341 | Heater wall hanging bracket | | |
| 101 | 573266 | Cable clamp (5 pcs) | | 11 |

| NOTE | DESCRIPTION |
|-------------|---|
| 11 | Not illustrated |
| 21 | Replaces code 810784 - from serial no 030101 - Production improvement |
| 22 | Replaces code 810835 - from serial no 030101 - Production improvement |
| 23 | Replaces code 570016 - from serial no 030101 - Production improvement |
| 24 | Replaces code 994085 - from serial no 030101 - Production improvement |