



SPARE PARTS LIST  
ELECTRIC WATER HEATER GEYSER

Models

**TI 50 R EE**

**TI 80 R EE**

**TI 100 R EE**

**TI 80 RTD EE**

**TI 80 RTS EE**

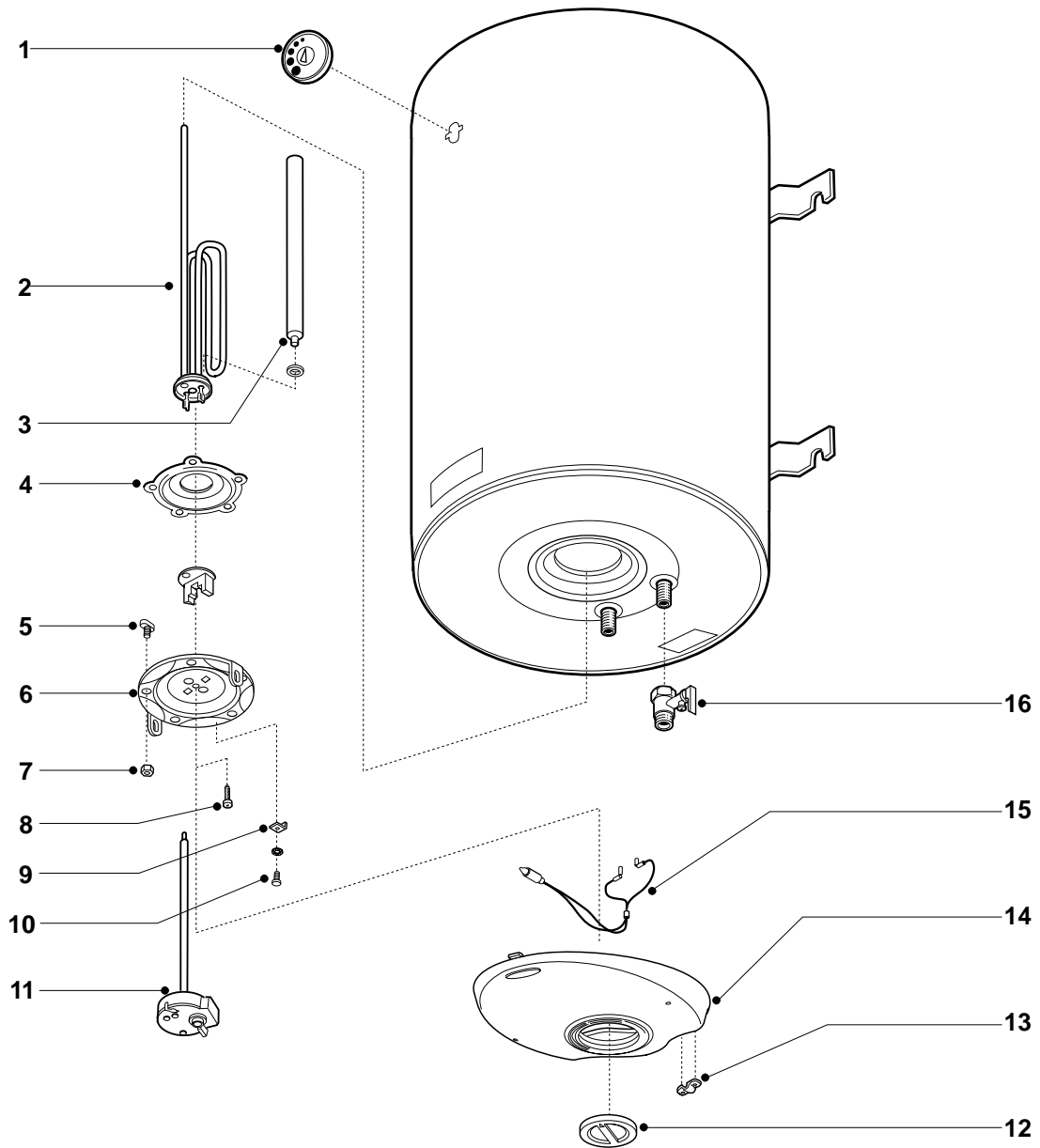
**TI 100 RTD EE**

**TI 100 RTS EE**

---

Edition 1 of 1 March 2000





MODELS	CODE	SERIAL NO. VALIDITY	REF.
TI 50 R EE	869378	000718	A
TI 80 R EE	869379	000718	B
TI 100 R EE	869380	000718	C
TI 80 RTD EE	869381	000718	D
TI 80 RTS EE	869382	000718	E
TI 100 RTD EE	869383	000718	F
TI 100 RTS EE	869384	000718	G

<b>PART.</b>	<b>CODE</b>	<b>DESCRIPTION</b>	<b>REF.</b>	<b>NOTE</b>
1	993156	Thermometer		
2	816707	1500W 230V heating element		
3	993014	Anode (magnesium 25 x 230)		
4	570393	D.75 gasket		
5	570316	Flange screw (M8x20)		
6	570407	Flange		
7	570127	M8x14x8 hexagonal nut		
8	993000	Wood Screw (thread M6x14 8mm)		
9	570063	Terminal (earth)		
10	993015	Screw (M4x10 for groundig terminal)		
11	691217	Thermostat (TBS 2 300)		
12	993183	Control Knob		
13	993154	Cable clamp		
14	993184	Plastic cover		
15	993025	Signal lamp		
16	571730	Safety valve		

<b>NOTE</b>	<b>DESCRIPTION</b>