

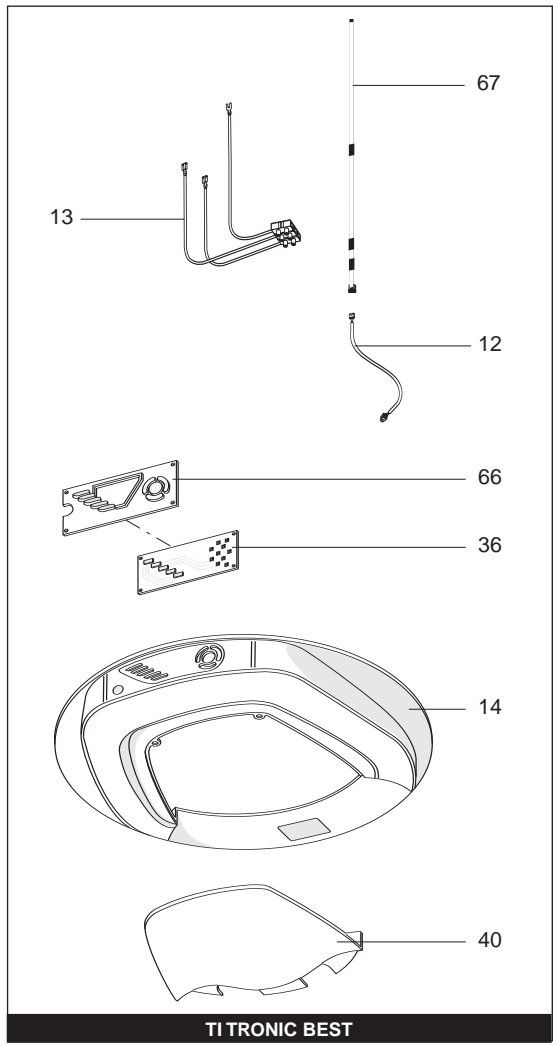
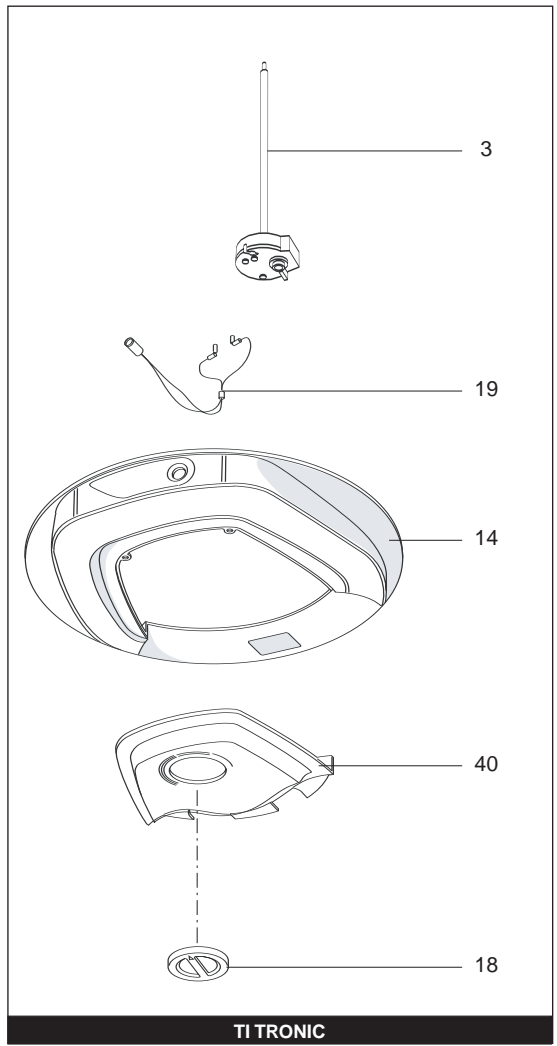
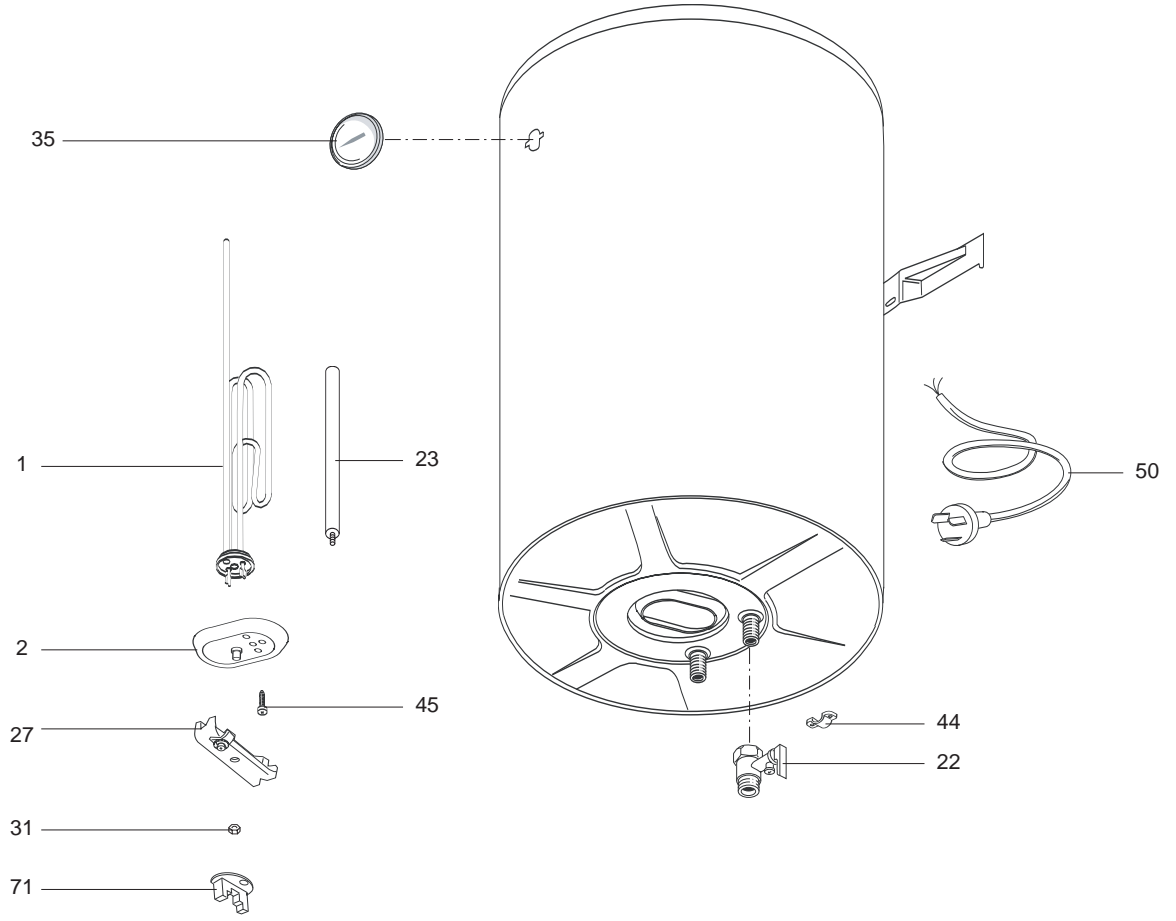
SPARE PARTS EXPLODED VIEW STORAGE ELECTRIC WATER HEATERS

Model

TI TRONIC V

R8215220-03EN - Edition 03 - 22/03/2007

370 4007	TI TRONIC 30 V SLIM	
370 0078	TI TRONIC 40 V SLIM	
320 0056	TI TRONIC 50 V	
370 0022	TI TRONIC 50 V	
370 0019	TI TRONIC 50 V SLIM	
370 0020	TI TRONIC 65 V SLIM	
320 0057	TI TRONIC 80 V	
370 0023	TI TRONIC 80 V	
370 0021	TI TRONIC 80 V SLIM	
320 0058	TI TRONIC 100 V	
370 0024	TI TRONIC 100 V	
370 0058	TI TRONIC 120 V	
370 0059	TI TRONIC 150 V	
370 4008	TI TRONIC 30 V BEST SLIM	
320 0050	TI TRONIC 50 V BEST	
320 0064	TI TRONIC 50 V D BEST	
320 0229	TI TRONIC BEST 50 VR/5	
370 0030	TI TRONIC 50 V BEST	
370 0027	TI TRONIC 50 V BEST SLIM	
370 0028	TI TRONIC 65 V BEST SLIM	
320 0051	TI TRONIC 80 V BEST	
320 0065	TI TRONIC 80 V D BEST	
320 0230	TI TRONIC BEST 80 VR/5	
370 0031	TI TRONIC 80 V BEST	
370 0029	TI TRONIC 80 V BEST SLIM	
320 0052	TI TRONIC 100 V BEST	
320 0066	TI TRONIC 100 V D BEST	
320 0231	TI TRONIC BEST 100 VR/5	
370 0032	TI TRONIC 100 V BEST	
Reference	Ind.	Model type	Begin	End



Key N	Description	Manf. Pt. N	Other	Type	TITRONIC										TITRONIC BEST					Manf. date										
					30		40		50		65		80		100		120/130		30		50		65		80		100		from	to
					Slim	VR/5	Slim	VR/5	Slim	VR/5	Slim	VR/5	Slim	VR/5	Slim	VR/5	Slim	VR/5	Slim	VR/5	Slim	VR/5	Slim	VR/5	Slim	VR/5	Slim	VR/5		
0001	ELEMENT 1800W 230V	65103481																												
	ELEMENT 1200W 230V	816615																												
	ELEMENT 1500W 230V	816616																												
0002	FLANGE WITH GASKET	993012																												
0003	THERMOSTAT	65103316																												
	THERMOSTAT	691217																												
0012	WIRING (PROBE)	65102590																												
0013	WIRING	65102541																												
0014	PLASTIC COVER	65102539																												
	PLASTIC COVER + SIGNAL LAMP	65102596																												
	PLASTIC COVER + SIGNAL LAMP	65180008																												
	PLASTIC COVER	65180010																												
0018	CONTROL KNOB	65102598																												
0019	SIGNAL LAMP	65102599																												
0022	SAFETY VALVE WITH LEVER	571730																												
0023	ANODE D:25,5 L:135,5 M5	919004																												
	ANODE D:21,5 L:230 M5	993014																												
0027	FLANGE BRACKET	993011																												
0031	HEXAGONAL NUT	570127																												
0035	THERMOMETER	65104309																								05/06				
	THERMOMETER	65150436																												
	THERMOMETER	992136																									04/06			
	THERMOMETER	992136																												
0036	PRINTED CIRCUIT BOARD	65102538																												
0040	PLASTIC COVER	65102540																												
	PLASTIC COVER	65102597																												
	PLASTIC COVER	65180009																												
	PLASTIC COVER	65180011																												
0044	CABLE CLAMP	573266																												
0045	SCREW M6X12	993000																												
0050	CABLE (POWER SUPPLY)	570204																												
0066	TRIM	65102542																												
	TRIM	65103313																												
0067	SENSOR	65102543																												
0071	TERMINAL SHIELD (YELLOW)	65103482																												
	TERMINAL SHIELD (BLUE)	993009																												
	TERMINAL SHIELD (RED)	993010																												

LIST OF THE ABBREVIATIONS

HW	: Hot water.
CW	: Cold water.
C	: Ceramic resistance (normal heating).
Ca	: Ceramic resistance (accelerated heating)
TP	: Immersion heater.
1F	: With fittings.
2F	: Without fittings.
3F	: With fittings and another outlet connection.
AMI	: With mixing valve.
SMI	: Without mixing valve.
PUISS	: Power of th appliance.
PN	: Appliance with normal pression.
LP	: Appliance with low pression.
PV	: Appliance with variable power.
PF	: Appliance with fixed power..

IDENTIFICATION PLATE

SERIAL NUMBER

Ex: 03 09 08 (Until 12/06)

OR

Ex: 02 11 00001 007843

Ex: 3200050 XX 070115 0000001 (From 01/07)

The indications mentioned on the prices, commercial or technical literature and the scheme are written for your guidance and are available at a given time. The CONSTRUCTOR retains the power to modify the presentation, the form, the size, the conception or the material of the products.

