

SPARE PARTS EXPLODED VIEW STORAGE ELECTRIC WATER HEATERS

Model

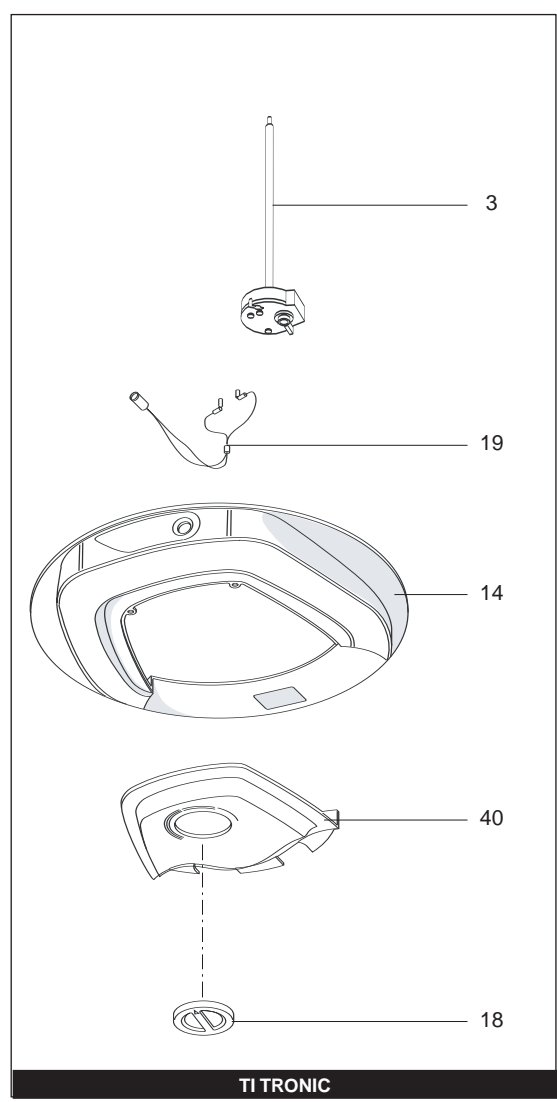
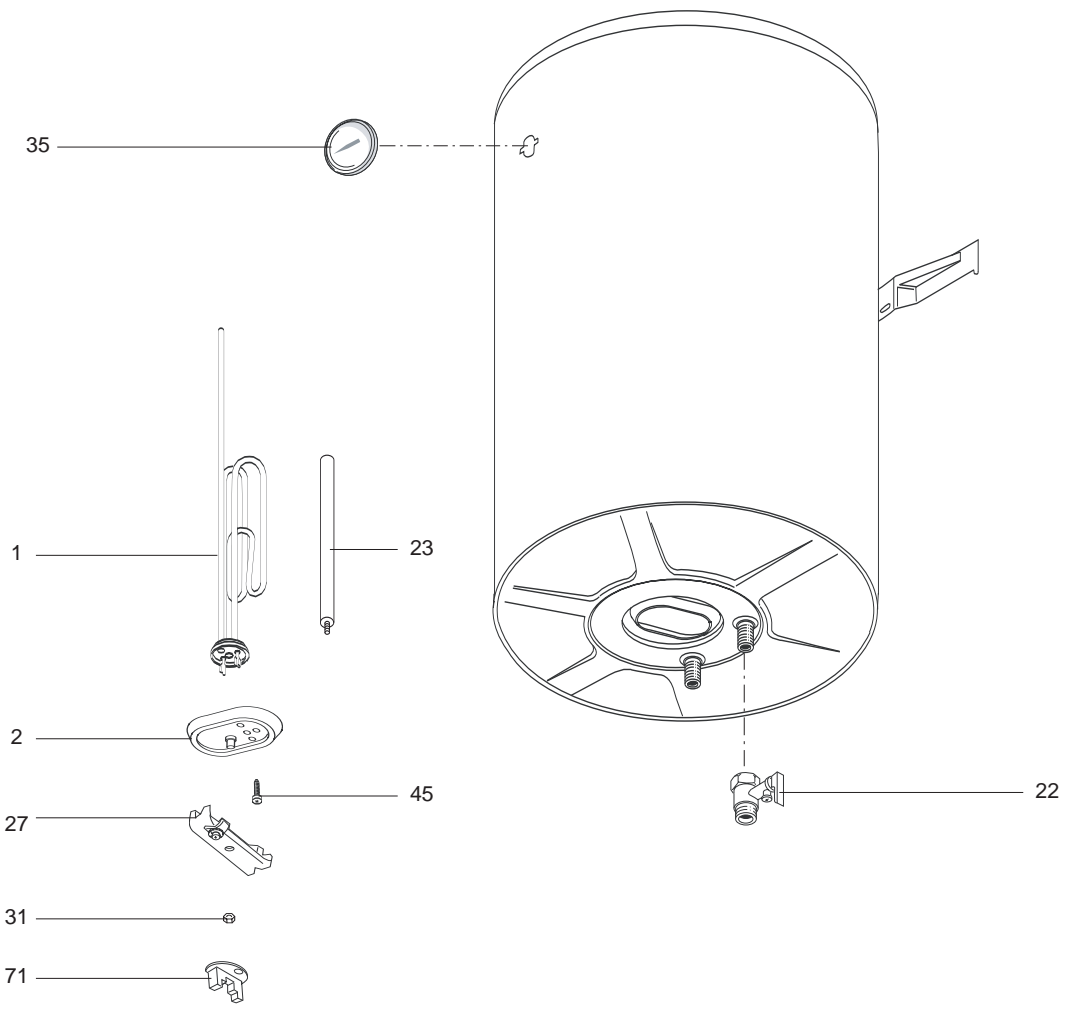
TI TRONIC V

R8215220-01EN - Edition 01 - 08/09/2005

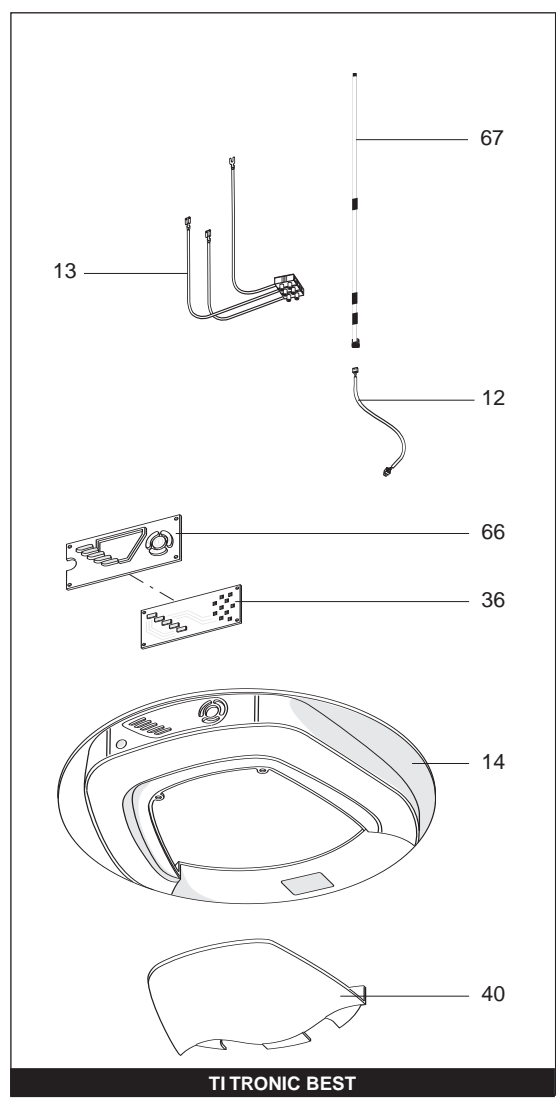


370 4007		TI TRONIC 30 V SLIM
320 0056		TI TRONIC 50 V
370 0022		TI TRONIC 50 V
370 0019		TI TRONIC 50 V SLIM
370 0020		TI TRONIC 65 V SLIM
320 0057		TI TRONIC 80 V
370 0023		TI TRONIC 80 V
370 0021		TI TRONIC 80 V SLIM
320 0058		TI TRONIC 100 V
370 0024		TI TRONIC 100 V
370 4008		TI TRONIC 30 V BEST SLIM
320 0050		TI TRONIC 50 V BEST
370 0030		TI TRONIC 50 V BEST
370 0027		TI TRONIC 50 V BEST SLIM
370 0028		TI TRONIC 65 V BEST SLIM
320 0051		TI TRONIC 80 V BEST
370 0031		TI TRONIC 80 V BEST
370 0029		TI TRONIC 80 V BEST SLIM
320 0052		TI TRONIC 100 V BEST
370 0032		TI TRONIC 100 V BEST

Reference	Ind.	Model type	Begin	End
-----------	------	------------	-------	-----



TI TRONIC



TI TRONIC BEST

Key N°	Description	Manf. Pt. N°	Other	Type	TITRONIC										TITRONIC BEST					Manf. date						
					30		50		65		80		100		30		50		65		80		100		from	to
					Slim		Slim		Slim		Slim		Slim		Slim		Slim		Slim		Slim		Slim			
0001	ELEMENT 1500W 230V	816616			•	•	•	•	•	•	•	•	•	•	•	•	•	•	•	•						
0002	FLANGE WITH GASKET	993012			•	•	•	•	•	•	•	•	•	•	•	•	•	•	•	•						
0003	THERMOSTAT	65103316			•			•																		
	THERMOSTAT	691217				•			•																	
0012	WIRING (PROBE)	65102590								•	•	•	•	•	•	•	•	•	•							
0013	WIRING	65102541								•	•	•	•	•	•	•	•	•	•							
0014	PLASTIC COVER	65102539									•				•		•		•							
	PLASTIC COVER + SIGNAL LAMP	65102596				•			•																	
	PLASTIC COVER + SIGNAL LAMP	65180008			•		•	•		•																
	PLASTIC COVER	65180010								•		•	•				•									
0018	CONTROL KNOB	65102598			•	•	•	•	•	•	•	•	•	•	•	•	•	•	•							
0019	SIGNAL LAMP	65102599			•	•	•	•	•	•	•	•	•	•	•	•	•	•	•							
0022	SAFETY VALVE	571730			•	•	•	•	•	•	•	•	•	•	•	•	•	•	•							
0023	MAGNESIUM ANODE	919004			•		•		•		•		•		•		•		•							
	MAGNESIUM ANODE	993014				•			•			•			•		•		•							
0027	FLANGE BRACKET	993011			•	•	•	•	•	•	•	•	•	•	•	•	•	•	•							
0031	HEXAGONAL NUT	570127			•	•	•	•	•	•	•	•	•	•	•	•	•	•	•							
0035	THERMOMETER	992136			•	•	•	•	•	•	•	•	•	•	•	•	•	•	•							
0036	PRINTED CIRCUIT BOARD	65102538								•		•		•		•		•		•						
0040	PLASTIC COVER	65102540									•				•		•		•							
	PLASTIC COVER	65102597				•			•																	
	PLASTIC COVER	65180009			•		•	•																		
	PLASTIC COVER	65180011								•		•	•				•									
0045	SCREW	993000			•	•	•	•	•	•	•	•	•	•	•	•	•	•	•							
0066	TRIM	65102542									•		•		•		•		•							
	TRIM	65103313									•		•		•		•		•							
0067	SENSOR	65102543								•	•	•	•	•	•	•	•	•	•							
0071	TERMINAL SHIELD (RED)	993010			•	•	•	•	•	•	•	•	•	•	•	•	•	•	•							



LIST OF THE ABBREVIATIONS

HW	: Hot water.
CW	: Cold water.
C	: Ceramic resistance (normal heating).
Ca	: Ceramic resistance (accelerated heating)
TP	: Immersion heater.
1F	: With fittings.
2F	: Without fittings.
3F	: With fittings and another outlet connection.
AMI	: With mixing valve.
SMI	: Without mixing valve.
PUISS	: Power of th appliance.
PN	: Appliance with normal pression.
LP	: Appliance with low pression.
PV	: Appliance with variable power.
PF	: Appliance with fixed power..

IDENTIFICATION PLATE

SERIAL NUMBER

Ex: 03 09 08

Manufacturing day
 Month of manufacture : from 1 to 12 → January to December
 Year of manufacture

Ex: 02 11 00001 007843

OR

Product reference
 Sequential number
 Month of manufacture : from 1 to 12 → January to December
 Year of manufacture

The indications mentioned on the prices, commercial or technical literature and the scheme are written for your guidance and are available at a given time. The CONSTRUCTOR retains the power to modify the presentation, the form, the size, the conception or the material of the products.