

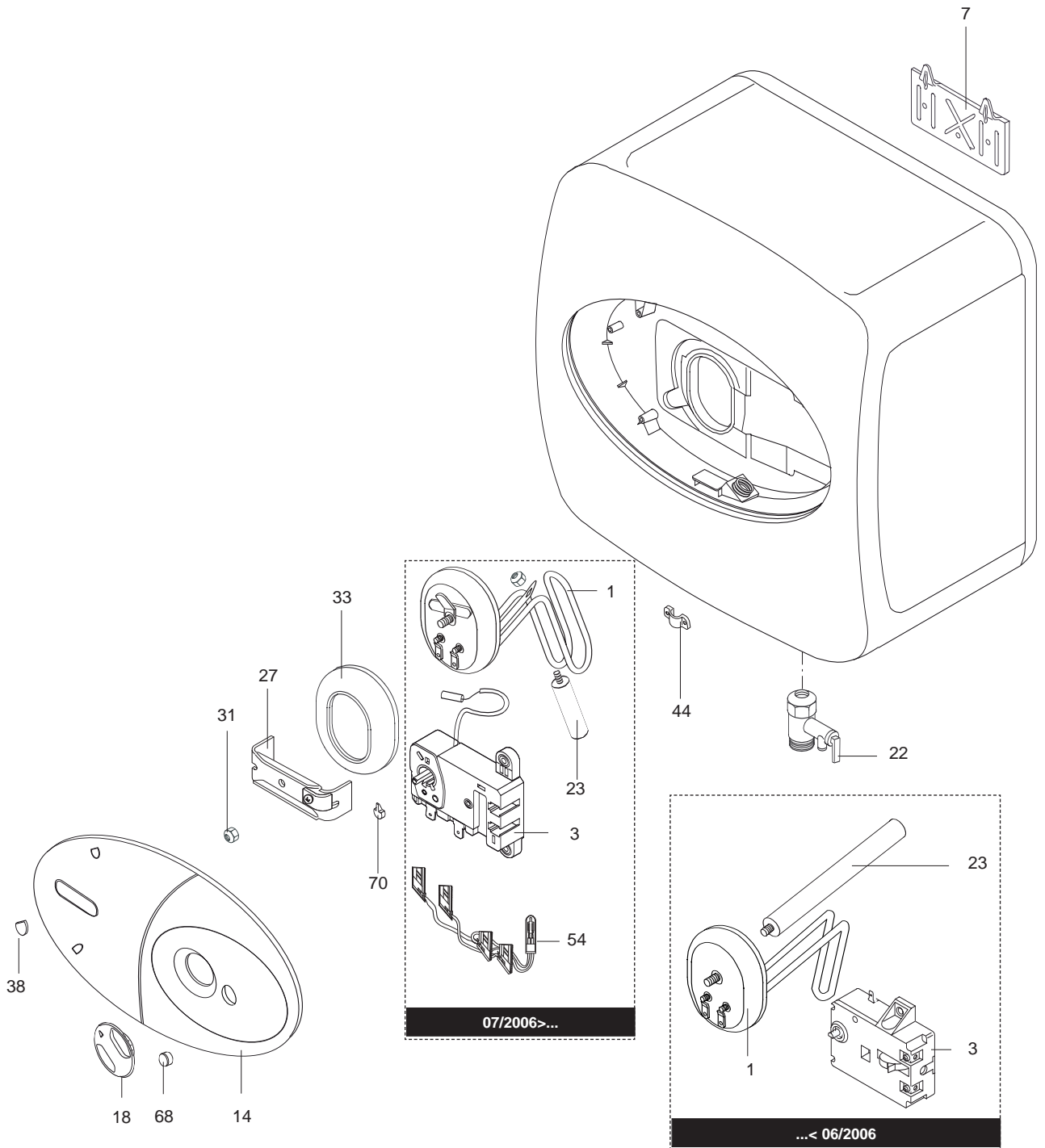
# SPARE PARTS EXPLODED VIEW STORAGE ELECTRIC WATER HEATERS

Model

## **TI-SHAPE EE**

R8215449-02EN - Edition 02 - 11/09/2006

877 098		TI-SHAPE 10 OR EE	...	...
877 099		TI-SHAPE 10 UR EE	...	...
877 100		TI-SHAPE 15 OR EE	...	...
877 101		TI-SHAPE 15 UR EE	...	...
877 102		TI-SHAPE 30 OR EE	...	...
Reference	Ind.	Model type	Begin	End





## LIST OF THE ABBREVIATIONS

HW .....	: Hot water.
CW .....	: Cold water.
C .....	: Ceramic resistance (normal heating).
Ca .....	: Ceramic resistance (accelerated heating)
TP .....	: Immersion heater.
1F .....	: With fittings.
2F .....	: Without fittings.
3F .....	: With fittings and another outlet connection.
AMI .....	: With mixing valve.
SMI .....	: Without mixing valve.
PUISS .....	: Power of th appliance.
PN .....	: Appliance with normal pression.
LP .....	: Appliance with low pression.
PV .....	: Appliance with variable power.
PF .....	: Appliance with fixed power..

## IDENTIFICATION PLATE

### SERIAL NUMBER

Ex: 03 09 08

Manufacturing day  
 Month of manufacture : from 1 to 12 → January to December  
 Year of manufacture

OR

Ex: 02 11 00001 007843

Product reference  
 Sequential number  
 Month of manufacture : from 1 to 12 → January to December  
 Year of manufacture

The indications mentioned on the prices, commercial or technical literature and the scheme are written for your guidance and are available at a given time. The CONSTRUCTOR retains the power to modify the presentation, the form, the size, the conception or the material of the products.