



SPARE PARTS EXPLODED VIEW STORAGE ELECTRIC WATER HEATERS

Model

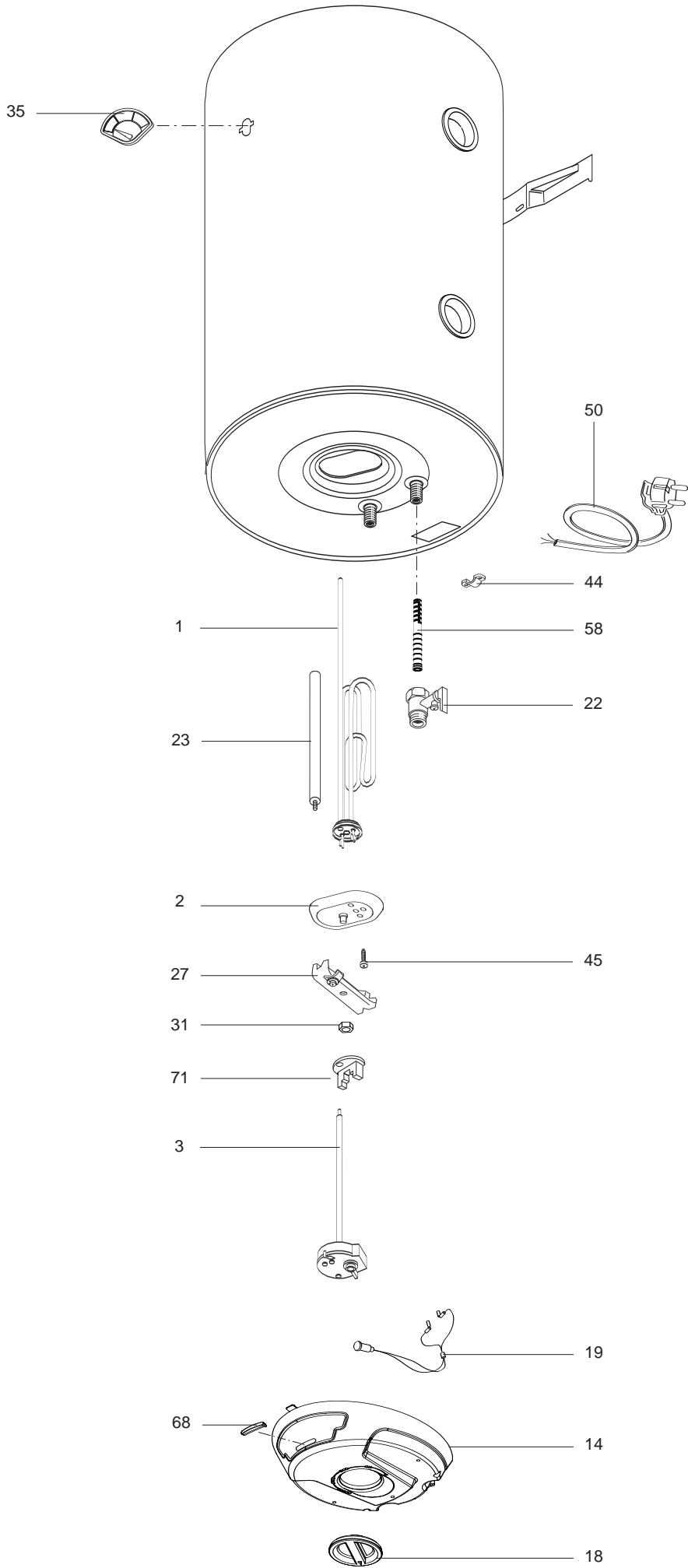
BLU R V PL

R8216428-02EN - Edition 02 - 01/06/2011

BLU R V PL

Storage Electric Water Heaters

3200461		BLU R 50 V 1,8K PL
3200584		BLU R 65 V 1,8K PL
3200462		BLU R 80 V 1,8K PL
3200463		BLU R 100 V 1,8K PL
Reference	Ind.	Model type	Begin	End



LIST OF THE ABBREVIATIONS

HW	: Hot water.
CW	: Cold water.
C	: Ceramic resistance (normal heating).
Ca	: Ceramic resistance (accelerated heating)
TP	: Immersion heater.
1F	: With fittings.
2F	: Without fittings.
3F	: With fittings and another outlet connection.
AMI	: With mixing valve.
SMI	: Without mixing valve.
PUISS	: Power of th appliance.
PN	: Appliance with normal pression.
LP	: Appliance with low pression.
PV	: Appliance with variable power.
PF	: Appliance with fixed power..

IDENTIFICATION PLATE

SERIAL NUMBER

6 Characters :	_____ 03 09 08 _____	Manufacturing day Month of manufacture
9 Characters :	_____ 5 9 12 0606 _____	Sequential number Month of manufacture
15 Characters :	_____ 02 11 00001 007843 _____	Code appareil Sequential number
21 Characters :	_____ 3200050 XX 08115 0000001 _____	Sequential number Year (08) / Manufacturing day (115)
22 Characters :	_____ 3200050 XX 070115 0000001 _____	Sequential number Year (07) / Month (01) / Manufacturing day (15)

The indications mentioned on the prices, commercial or technical literature and the scheme are written for your guidance and are available at a given time. The CONSTRUCTOR retains the power to modify the presentation, the form, the size, the conception or the material of the products.