

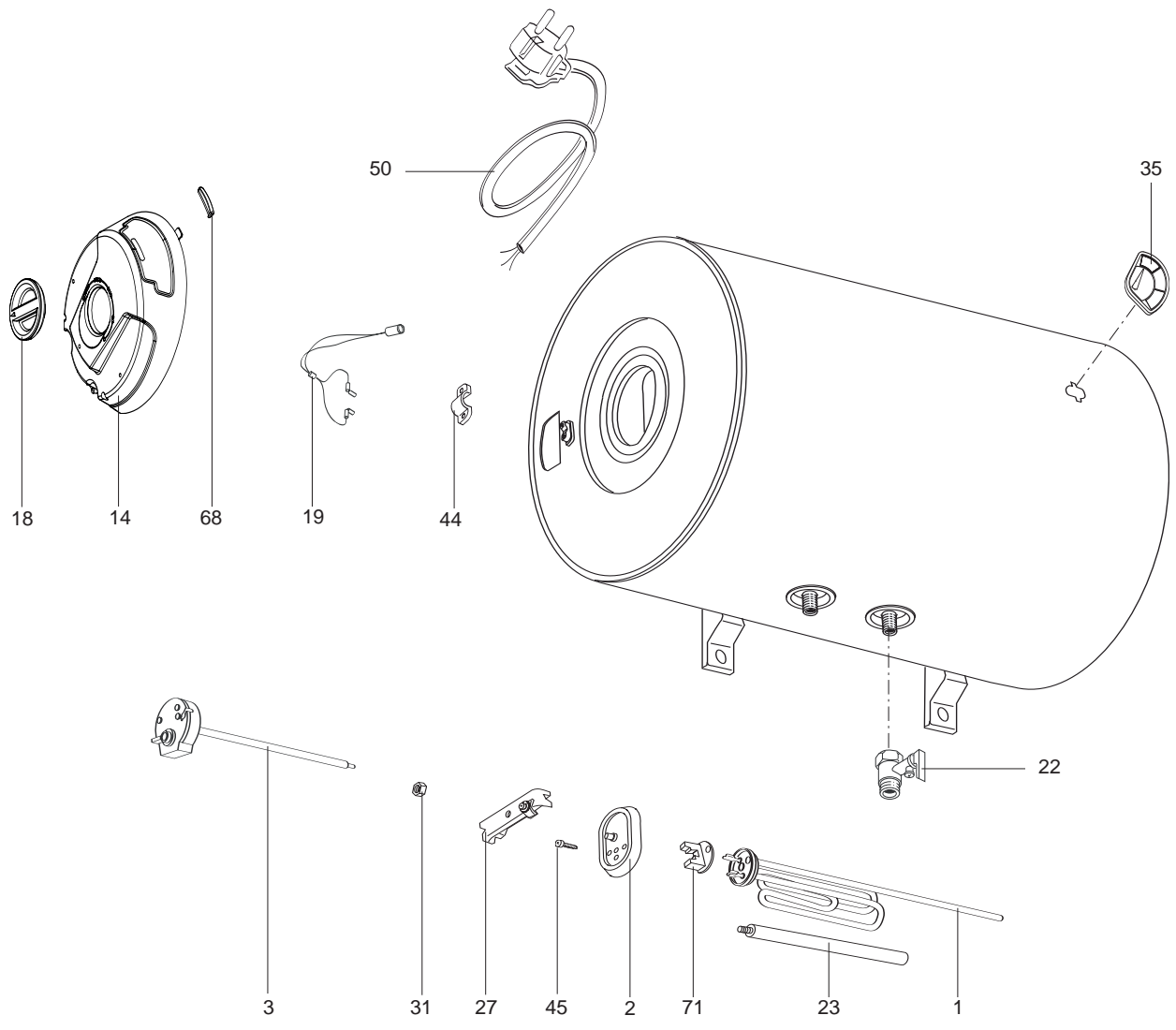
SPARE PARTS EXPLODED VIEW  
STORAGE ELECTRIC WATER HEATERS

Model

**BLU R H PL**

R8216429-01EN - Edition 01 - 01/07/2009

320 0464		BLU R 80 H 1,8K PL	...	...
320 0465		BLU R 100 H 1,8K PL	...	...
Reference	Ind.	Model type	Begin	End





## LIST OF THE ABBREVIATIONS

HW .....	: Hot water.
CW .....	: Cold water.
C .....	: Ceramic resistance (normal heating).
Ca .....	: Ceramic resistance (accelerated heating)
TP .....	: Immersion heater.
1F .....	: With fittings.
2F .....	: Without fittings.
3F .....	: With fittings and another outlet connection.
AMI .....	: With mixing valve.
SMI .....	: Without mixing valve.
PUISS .....	: Power of th appliance.
PN .....	: Appliance with normal pression.
LP .....	: Appliance with low pression.
PV .....	: Appliance with variable power.
PF .....	: Appliance with fixed power..

## IDENTIFICATION PLATE

### SERIAL NUMBER

Ex: 03 09 08 (Until 12/06)  
 Year of manufacture | Manufacturing day  
 Month of manufacture : from 1 to 12 → January to December

Ex: 02 11 00001 007843 OR  
 Year of manufacture | Product reference  
 Month of manufacture | Sequential number

Ex: 3200050 XX 070115 0000001 (From 01/07)  
 Product reference | Sequential number  
 Year (07) / Month (01) / Manufacture day (15)

Ex: 3200050 XX 08115 0000001 OR  
 Product reference | Sequential number  
 Year (08) / Manufacturing day. Ex: 115th day of the year

The indications mentioned on the prices, commercial or technical literature and the scheme are written for your guidance and are available at a given time. The CONSTRUCTOR retains the power to modify the presentation, the form, the size, the conception or the material of the products.