



ARISTON

## SPARE PARTS EXPLODED VIEW STORAGE ELECTRIC WATER HEATERS

Model

### **PRO ECO V 1,8K PL**

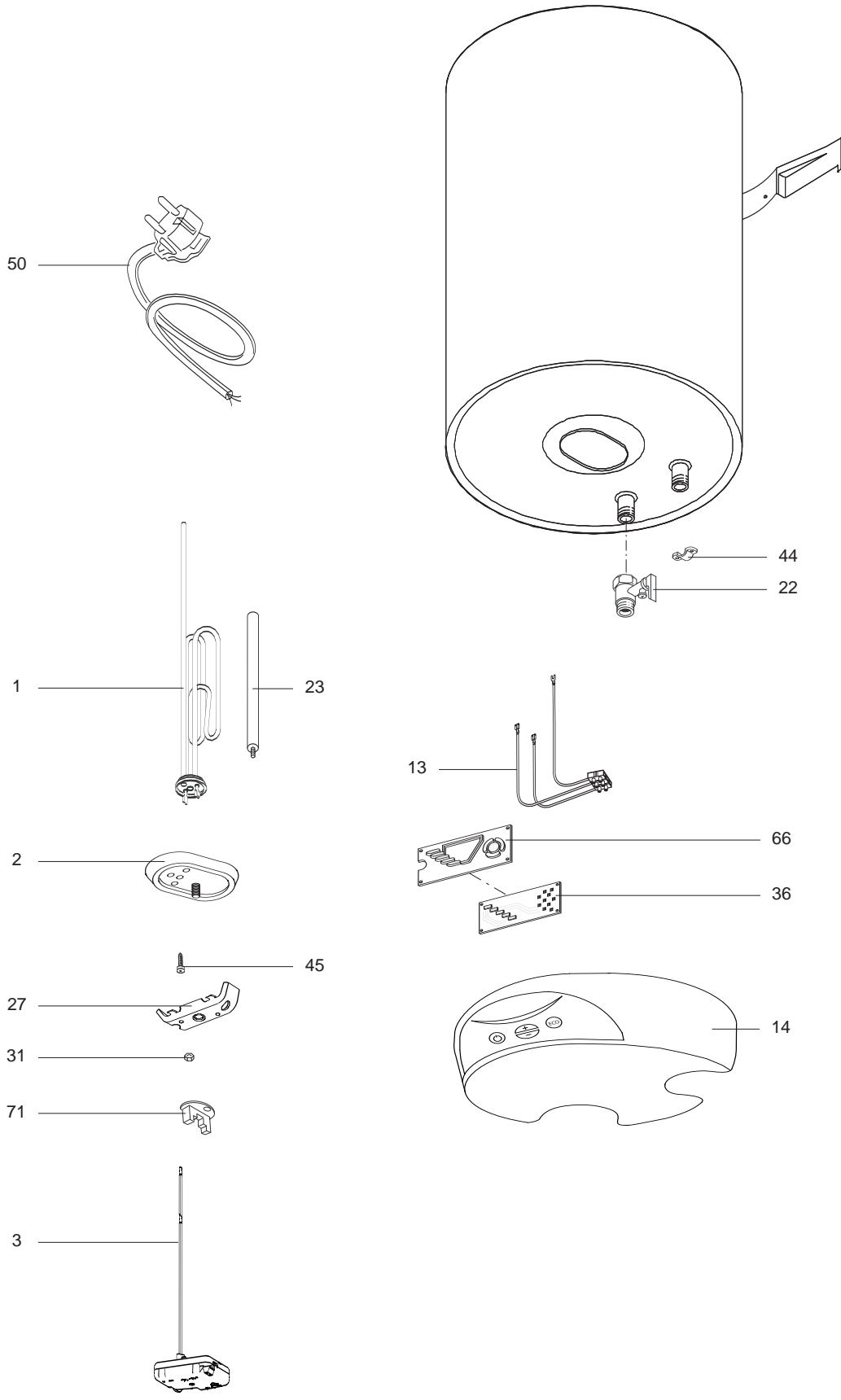
R8216371-05EN - Edition 05 - 30/04/2010

PRO ECO V 1,8K PL

Storage Electric Water Heaters

320 0393	PRO ECO 50 V 1,8K PL	...	...
320 0394	PRO ECO 80 V 1,8K PL	...	...
320 0395	PRO ECO 100 V 1,8K PL	...	...
370 0228	PRO ECO 120 V 1,8K PL	...	...
370 0258	PRO ECO 30 V SLIM 1,8K PL	...	...
370 0209	PRO ECO 40 V SLIM 1,8K PL	...	...
370 0210	PRO ECO 50 V SLIM 1,8K PL	...	...
370 0211	PRO ECO 65 V SLIM 1,8K PL	...	...
370 0212	PRO ECO 80 V SLIM 1,8K PL	...	...

Reference	Ind.	Model type	Begin	End
-----------	------	------------	-------	-----



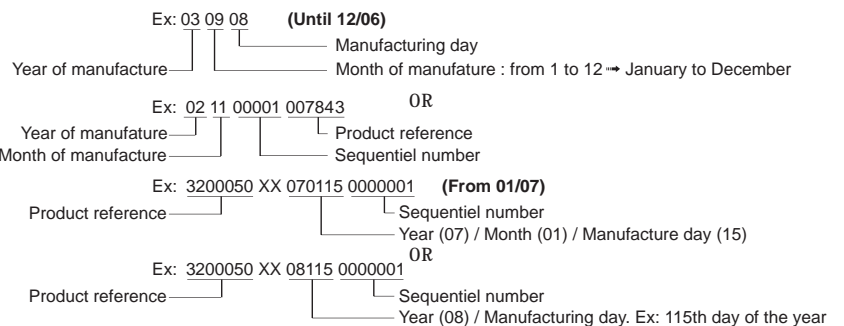
Key N	Description	Manf. Pt. N	Type				Manf. date	
				50 - 80 - 100	120	30-40-50-65-80 SLIM	from	to
0001	HEATING ELEMENT 1800W 230V	65108913		•				
	HEATING ELEMENT 1800W 230V	65109017			•	•		
0002	FLANGE WITH GASKET	65103691		•				
	FLANGE WITH GASKET	65108275			•	•		
0003	ELECTRONIC THERMOSTAT	65108564		•		•		
	ELECTRONIC THERMOSTAT	65108567			•			
0013	WIRING (DISPLAY)	65109619		•	•	•		
0014	PLASTIC COVER	65108576		•				
	PLASTIC COVER	65180033				•		
	PLASTIC COVER ABS PRO ECO	65180021			•			
0022	SAFETY VALVE WITH LEVER	571730		•	•	•		
0023	MAGNESIUM ANODE D:21,3 L:180 M5	65180015				•		
	MAGNESIUM ANODE D:25,5 L:230 M5	993014		•	•			
0027	FLANGE BRACKET	993011		•	•	•		
0031	NUT M8	570127		•	•	•		
0036	P.C.B.	65108273		•	•	•		
0044	CABLE CLAMP	573266		•	•	•		
0045	SCREW M6X12	993000		•	•	•		
0050	CABLE (POWER SUPPLY)	993199		•	•	•		
0066	KEYBOARD	65108578		•	•			
	KEYBOARD	65150960				•		
0071	TERMINAL SHIELD (YELLOW)	65103482		•	•	•		

## LIST OF THE ABBREVIATIONS

HW .....	: Hot water.
CW .....	: Cold water.
C .....	: Ceramic resistance (normal heating).
Ca .....	: Ceramic resistance (accelerated heating)
TP .....	: Immersion heater.
1F .....	: With fittings.
2F .....	: Without fittings.
3F .....	: With fittings and another outlet connection.
AMI .....	: With mixing valve.
SMI .....	: Without mixing valve.
PUISS .....	: Power of th appliance.
PN .....	: Appliance with normal pression.
LP .....	: Appliance with low pression.
PV .....	: Appliance with variable power.
PF .....	: Appliance with fixed power..

## IDENTIFICATION PLATE

### SERIAL NUMBER



The indications mentioned on the prices, commercial or technical literature and the scheme are written for your guidance and are available at a given time. The CONSTRUCTOR retains the power to modify the presentation, the form, the size, the conception or the material of the products.