

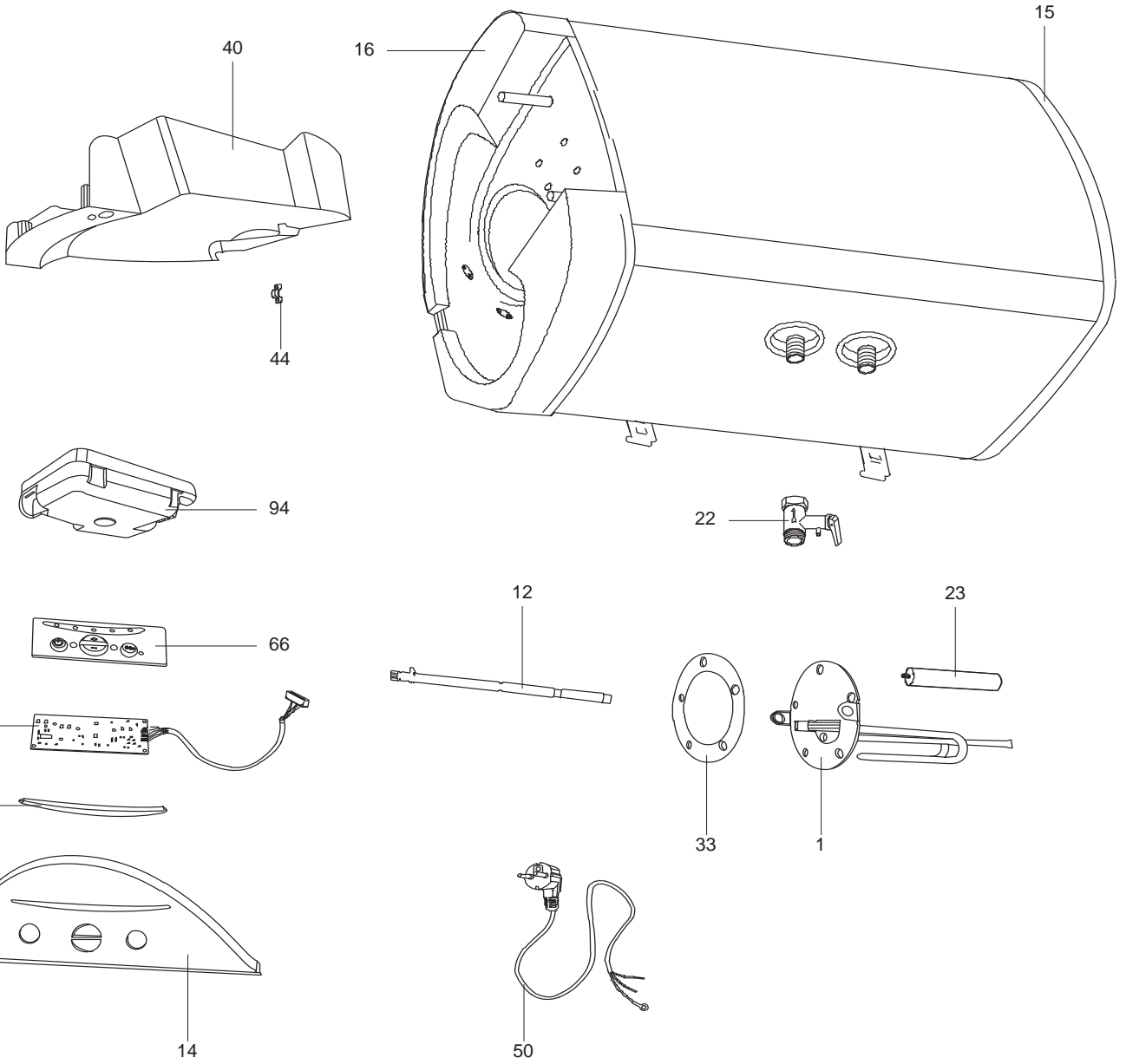
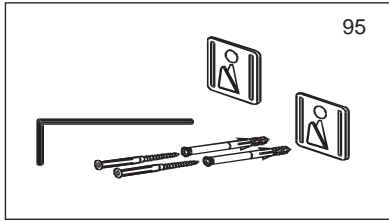
SPARE PARTS EXPLODED VIEW STORAGE ELECTRIC WATER HEATERS

Model

SHP ECO H 1,8K

R8216442-01EN - Edition 01 - 16/09/2009

360 5152		SHP ECO 40 H SLIM 1,8K
360 5145		SHP ECO 50 H 1,8K
360 5153		SHP ECO 50 H SLIM 1,8K
360 5146		SHP ECO 65 H 1,8K
360 5154		SHP ECO 65 H SLIM 1,8K
360 5147		SHP ECO 80 H 1,8K
360 5148		SHP ECO 100 H 1,8K
Reference	Ind.	Model type	Begin	End

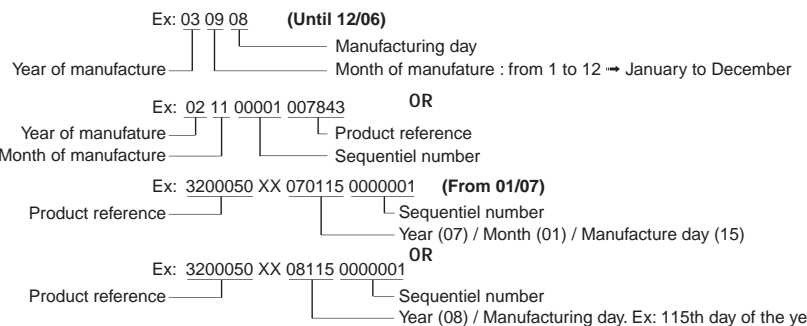


LIST OF THE ABBREVIATIONS

HW	: Hot water.
CW	: Cold water.
C	: Ceramic resistance (normal heating).
Ca	: Ceramic resistance (accelerated heating)
TP	: Immersion heater.
1F	: With fittings.
2F	: Without fittings.
3F	: With fittings and another outlet connection.
AMI	: With mixing valve.
SMI	: Without mixing valve.
PUISS	: Power of th appliance.
PN	: Appliance with normal pression.
LP	: Appliance with low pression.
PV	: Appliance with variable power.
PF	: Appliance with fixed power..

IDENTIFICATION PLATE

SERIAL NUMBER



The indications mentioned on the prices, commercial or technical literature and the scheme are written for your guidance and are available at a given time. The CONSTRUCTOR retains the power to modify the presentation, the form, the size, the conception or the material of the products.