

SPARE PARTS EXPLODED VIEW STORAGE ELECTRIC WATER HEATERS

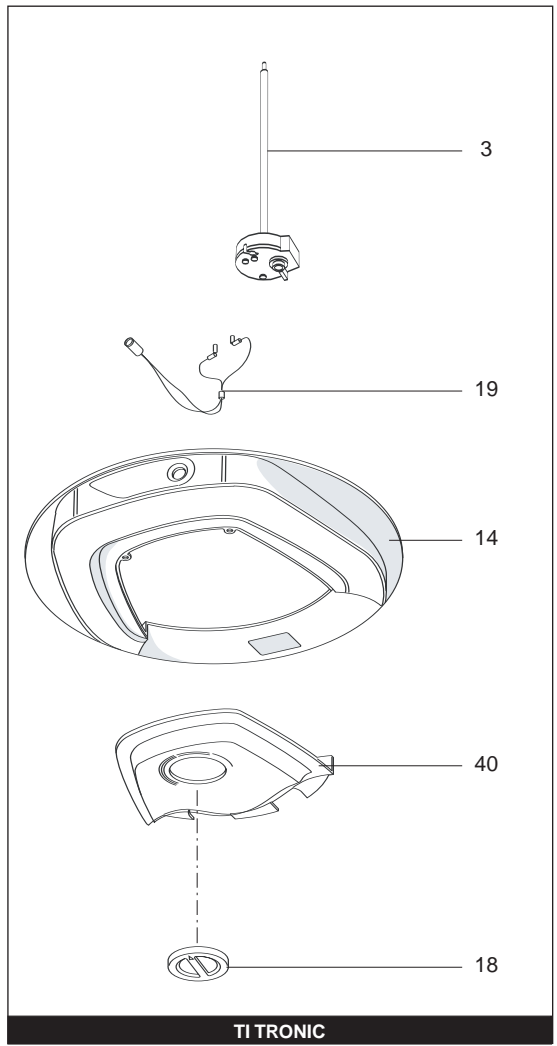
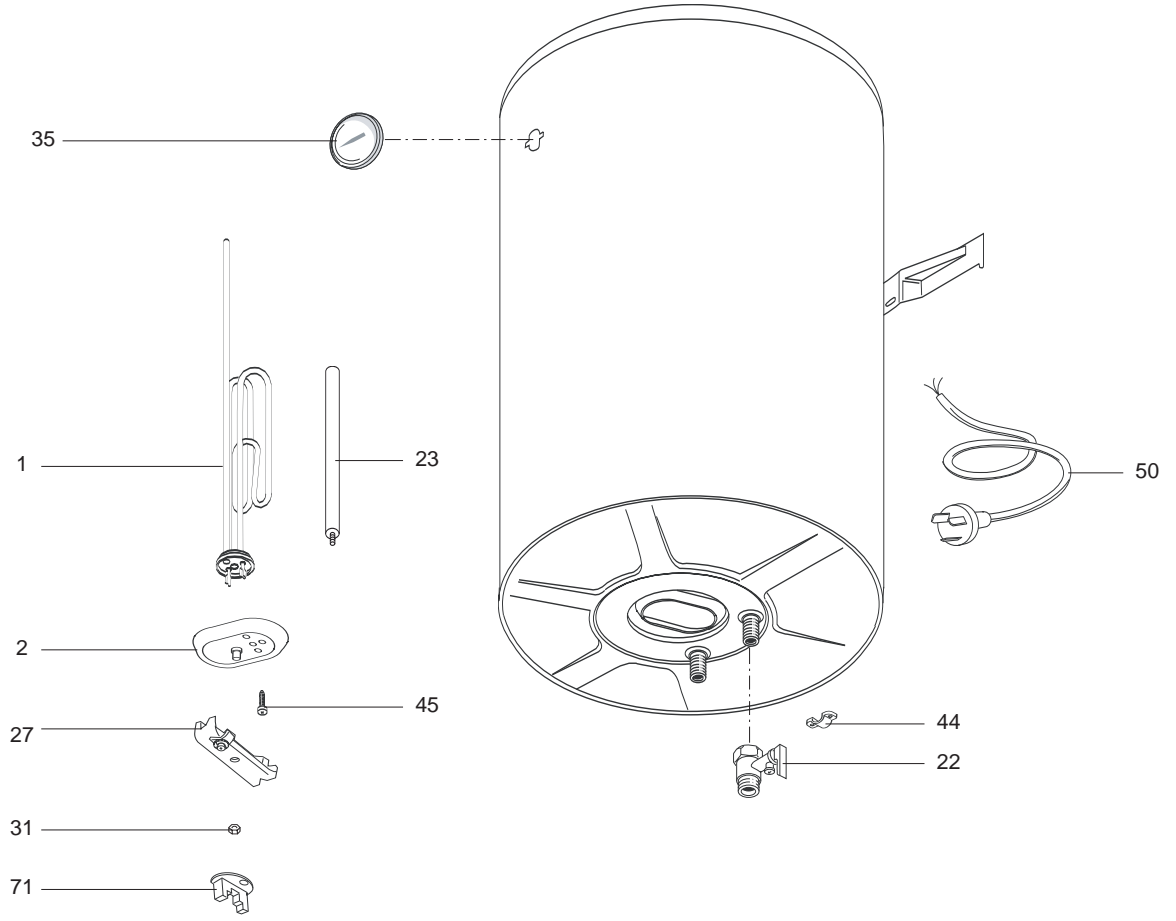
Model

TI TRONIC V

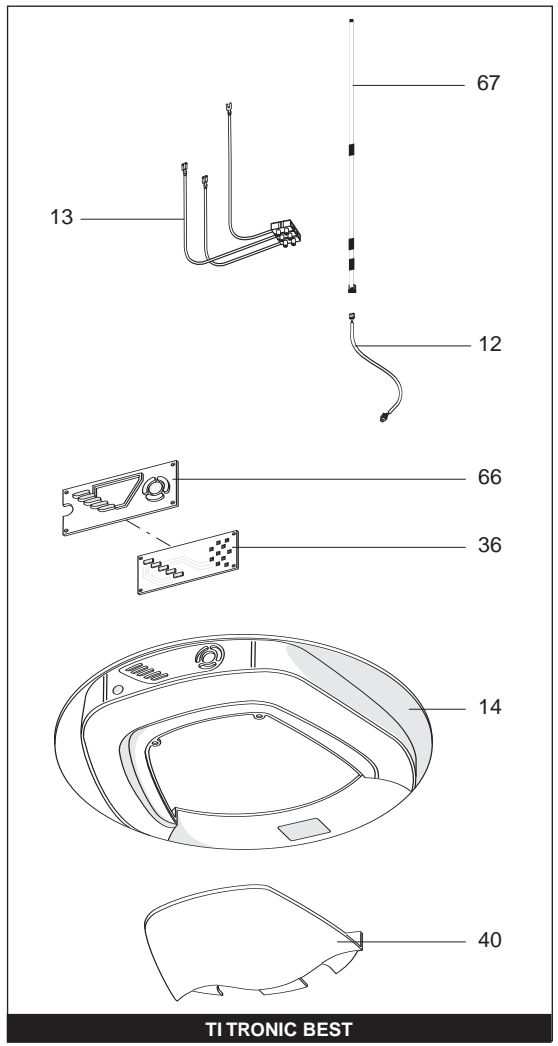
R8215220-05EN - Edition 05 - 29/04/2008

370 4007	TI TRONIC 30 V SLIM
370 0078	TI TRONIC 40 V SLIM
320 0056	TI TRONIC 50 V
370 0022	TI TRONIC 50 V
370 0019	TI TRONIC 50 V SLIM
370 0020	TI TRONIC 65 V SLIM
320 0057	TI TRONIC 80 V
370 0023	TI TRONIC 80 V
370 0021	TI TRONIC 80 V SLIM
320 0058	TI TRONIC 100 V
370 0024	TI TRONIC 100 V
370 0058	TI TRONIC 120 V
370 0059	TI TRONIC 150 V
370 4008	TI TRONIC 30 V BEST SLIM
320 0050	TI TRONIC 50 V BEST
320 0051	TI TRONIC 80 V BEST
320 0064	TI TRONIC 50 V D BEST
320 0065	TI TRONIC 80 V D BEST
370 0030	TI TRONIC 50 V BEST
370 0031	TI TRONIC 80 V BEST
320 0229	TI TRONIC BEST 50 VR/5
320 0230	TI TRONIC BEST 80 VR/5
370 0027	TI TRONIC 50 V BEST SLIM
370 0029	TI TRONIC 80 V BEST SLIM
370 0028	TI TRONIC 65 V BEST SLIM
320 0052	TI TRONIC 100 V BEST
320 0066	TI TRONIC 100 V D BEST
370 0032	TI TRONIC 100 V BEST
320 0231	TI TRONIC BEST 100 VR/5

Reference	Ind.	Model type	Begin	End
-----------	------	------------	-------	-----



TITRONIC



TITRONIC BEST

LIST OF THE ABBREVIATIONS

HW	: Hot water.
CW	: Cold water.
C	: Ceramic resistance (normal heating).
Ca	: Ceramic resistance (accelerated heating)
TP	: Immersion heater.
1F	: With fittings.
2F	: Without fittings.
3F	: With fittings and another outlet connection.
AMI	: With mixing valve.
SMI	: Without mixing valve.
PUISS	: Power of th appliance.
PN	: Appliance with normal pression.
LP	: Appliance with low pression.
PV	: Appliance with variable power.
PF	: Appliance with fixed power..

IDENTIFICATION PLATE

SERIAL NUMBER

Ex: 03 09 08 (Until 12/06)

OR

Ex: 02 11 00001 007843

Ex: 3200050 XX 070115 0000001 (From 01/07)

The indications mentioned on the prices, commercial or technical literature and the scheme are written for your guidance and are available at a given time. The CONSTRUCTOR retains the power to modify the presentation, the form, the size, the conception or the material of the products.