

# SPARE PARTS EXPLODED VIEW STORAGE ELECTRIC WATER HEATERS

Model

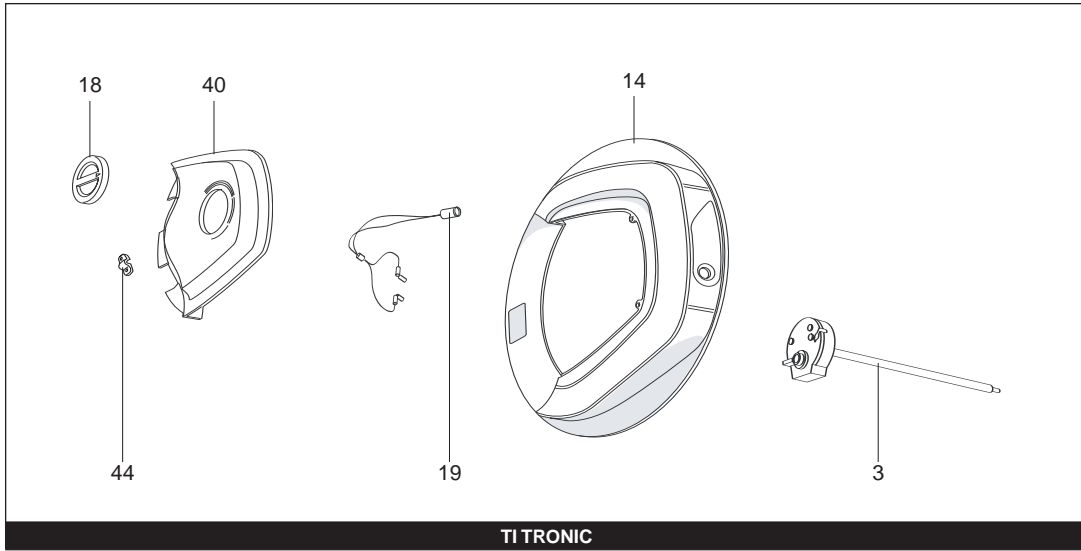
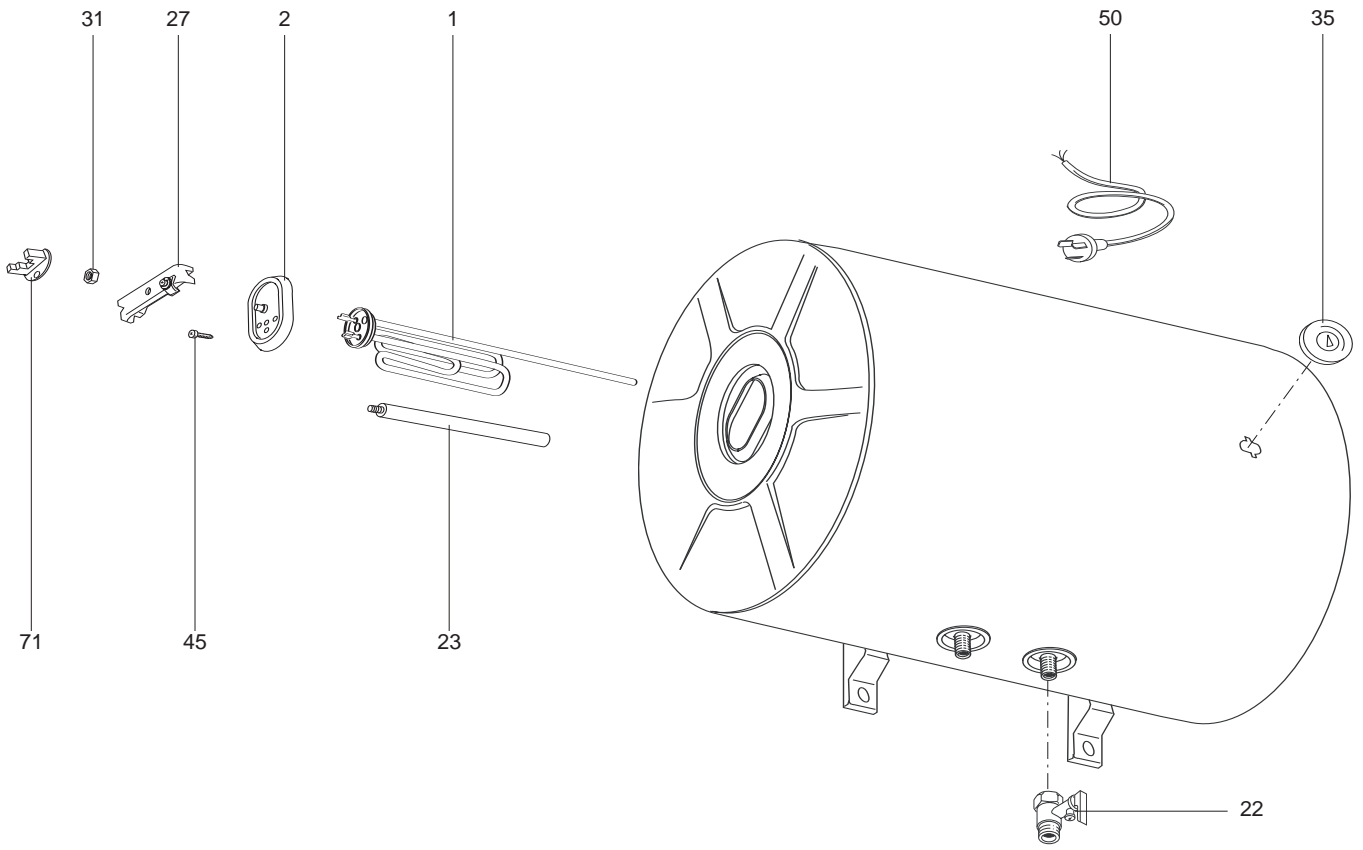
## **TI TRONIC O**

R8215214-01EN - Edition 01 - 19/09/2005

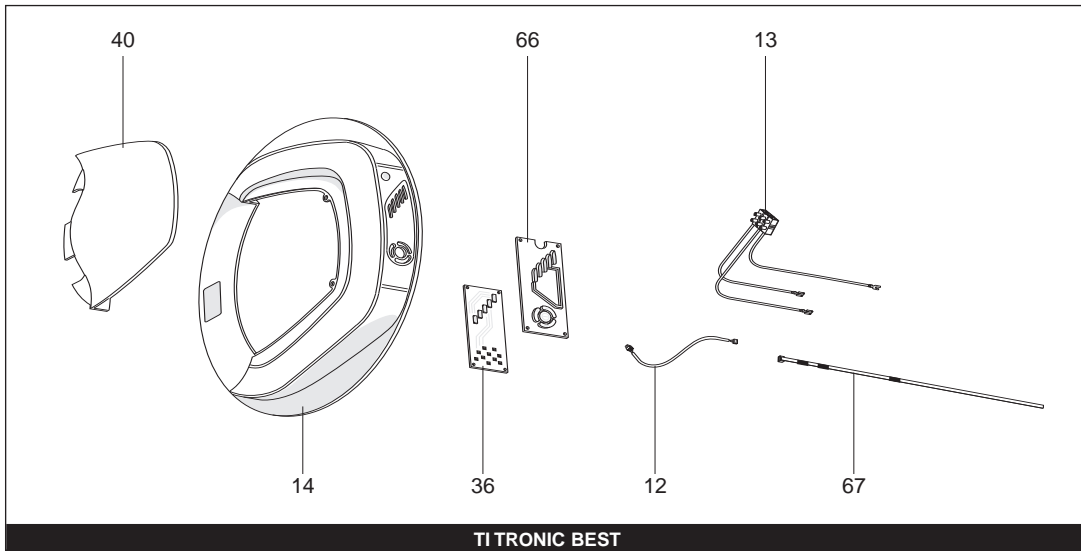


320 0060		TI TRONIC 80 H	...	...
370 0025		TI TRONIC 80 H	...	...
320 0061		TI TRONIC 100 H	...	...
370 0026		TI TRONIC 100 H	...	...
320 0072		TI TRONIC 100 H D	...	...
320 0053		TI TRONIC 80 H BEST	...	...
370 0033		TI TRONIC 80 H BEST	...	...
320 0054		TI TRONIC 100 H BEST	...	...
370 0034		TI TRONIC 100 H BEST	...	...

Reference	Ind.	Model type	Begin	End
-----------	------	------------	-------	-----



TITRONIC



TITRONIC BEST

№	наименование	код	TI TRONIC			BEST	
			80	100	100	80	100
					D		
0001	нагревательный элемент 1,5кВт 230В	65100746	●	●	●	●	●
0002	фланец с прокладкой	993012	●	●	●	●	●
0003	термостат	691217	●	●	●		
0012	проводка датчика	65102590				●	●
0013	проводка	65102541				●	●
0014	крышка	65102539				●	●
	крышка+индикаторная лампочка	65102596	●	●	●		
0018	ручка регулировочная	65102598	●	●	●		
0019	индикаторная лампочка	65102599	●	●	●		
0022	предохранительный клапан	571730	●	●	●	●	●
0023	анод магниевый	993014	●	●	●	●	●
0027	зажим фланца	993011	●	●	●	●	●
0031	гайка	570127	●	●	●	●	●
0035	индикатор температуры	992136	●	●	●		
0036	плата управления	65102538				●	●
0040	крышка	65102540				●	●
	крышка	65102597	●	●	●		
0044	зажим кабеля	573266			●		
0045	винт	993000	●	●	●	●	●
0050	кабель питания	993199			●		
0066	панель управления	65102542				●	●
0067	датчик температуры	65102543				●	●
0071	клеммный разъем красный	993010	●	●	●	●	●





## LIST OF THE ABBREVIATIONS

HW .....	: Hot water.
CW .....	: Cold water.
C .....	: Ceramic resistance (normal heating).
Ca .....	: Ceramic resistance (accelerated heating)
TP .....	: Immersion heater.
1F .....	: With fittings.
2F .....	: Without fittings.
3F .....	: With fittings and another outlet connection.
AMI .....	: With mixing valve.
SMI .....	: Without mixing valve.
PUISS .....	: Power of th appliance.
PN .....	: Appliance with normal pression.
LP .....	: Appliance with low pression.
PV .....	: Appliance with variable power.
PF .....	: Appliance with fixed power..

## IDENTIFICATION PLATE

### SERIAL NUMBER

Ex: 03 09 08

Manufacturing day  
 Month of manufacture : from 1 to 12 → January to December  
 Year of manufacture

Ex: 02 11 00001 007843

OR

Product reference  
 Sequential number  
 Month of manufacture : from 1 to 12 → January to December  
 Year of manufacture

The indications mentioned on the prices, commercial or technical literature and the scheme are written for your guidance and are available at a given time. The CONSTRUCTOR retains the power to modify the presentation, the form, the size, the conception or the material of the products.