



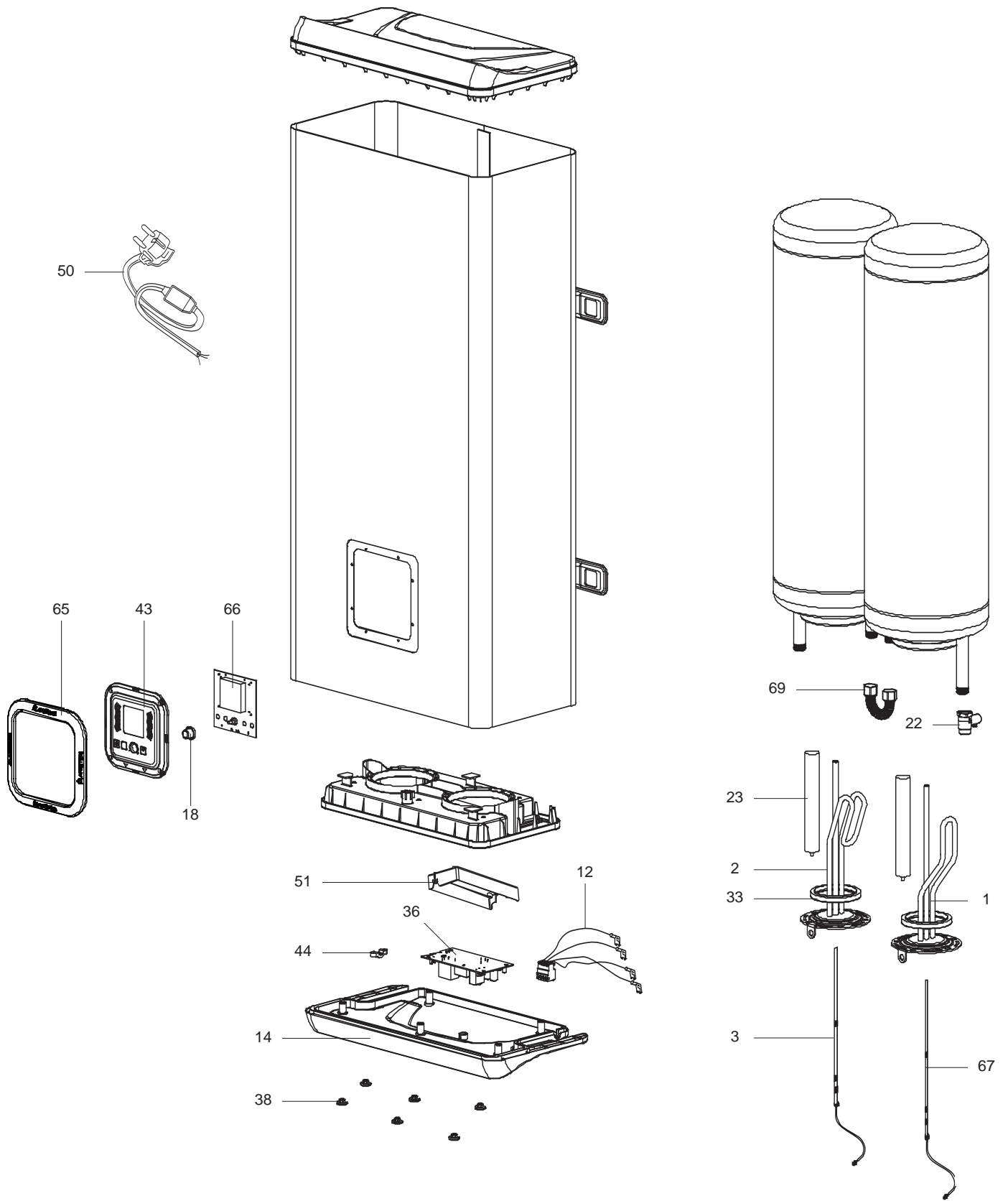
SPARE PARTS EXPLODED VIEW
STORAGE ELECTRIC WATER HEATERS

Model

ABS VLS PLUS INOX PW

R8216799-01EN - Edition 01 - 13/02/2012

| 360 5500 | | ABS VLS PLUS INOX PW 30 | ... | ... |
|-----------|------|--------------------------|-------|-----|
| 360 5501 | | ABS VLS PLUS INOX PW 50 | ... | ... |
| 360 5502 | | ABS VLS PLUS INOX PW 80 | ... | ... |
| 360 5503 | | ABS VLS PLUS INOX PW 100 | ... | ... |
| Reference | Ind. | Model type | Begin | End |



| Key N | Description | Manf. Pt. N | Type | | | | | Manf. date | |
|-------|---------------------------------|-------------|------|----|----|----|-----|------------|----|
| | | | | 76 | 82 | 80 | 100 | from | to |
| 0001 | НАГРЕВАТЕЛЬНЫЙ ЭЛЕМЕНТ 1000W | 65151226 | | • | • | • | • | | |
| 0002 | НАГРЕВАТЕЛЬНЫЙ ЭЛЕМЕНТ 1500W | 65151227 | | • | • | • | • | | |
| 0003 | ДАТЧИК ТЕМПЕРАТУРЫ ТЭНА 1500W | 65151229 | | • | • | • | • | | |
| 0012 | ЭЛЕКТРОПРОВОДКА | 65151231 | | • | • | • | • | | |
| 0014 | КРЫШКА ПЛАСТИКОВАЯ НИЖНЯЯ | 65151708 | | • | • | • | • | | |
| 0018 | РУЧКА РЕГУЛИРОВАНИЯ | 65151246 | | • | • | • | • | | |
| 0022 | ПРЕДОХРАНИТЕЛЬНЫЙ КЛАПАН 6 БАР | 65151712 | | • | • | • | • | | |
| 0023 | МАГНИЕВЫЙ АНОД D=22x110 M5 | 65151186 | | • | • | | | | |
| | МАГНИЕВЫЙ АНОД D=25,5x180 M5 | 977127 | | | | • | • | | |
| 0033 | ПРОКЛАДКА ФЛАНЦЕВАЯ НА 5 БОЛТОВ | 65151710 | | • | • | • | • | | |
| 0036 | ЭЛЕКТРОННАЯ ПЛАТА | 65151230 | | • | • | • | • | | |
| 0038 | ЗАГЛУШКА ДЛЯ ВИНТОВ | 65151709 | | • | • | • | • | | |
| 0043 | ПАНЕЛЬ УПРАВЛЕНИЯ | 65151245 | | • | • | • | • | | |
| 0044 | ЗАЖИМ ДЛЯ КАБЕЛЯ | 573266 | | • | • | • | • | | |
| 0050 | КАБЕЛЬ ЭЛЕКТРИЧЕСКИЙ С УЗО | 65150965 | | • | • | • | • | | |
| 0051 | РАМКА ЭЛЕКТРОННОЙ ПЛАТЫ | 65151447 | | • | • | • | • | | |
| 0065 | РАМКА ПАНЕЛИ УПРАВЛЕНИЯ | 65151711 | | • | • | • | • | | |
| 0066 | ЭЛЕКТРОННАЯ ПЛАТА | 65151247 | | • | • | • | • | | |
| 0067 | ДАТЧИК ТЕМПЕРАТУРЫ ТЭНА 1000W | 65151228 | | • | • | • | • | | |
| 0069 | ТРУБКА СОЕДИНИТЕЛЬНАЯ | 65151224 | | • | • | • | • | | |
| | | | | | | | | | |
| | | | | | | | | | |
| | | | | | | | | | |
| | | | | | | | | | |
| | | | | | | | | | |
| | | | | | | | | | |
| | | | | | | | | | |
| | | | | | | | | | |
| | | | | | | | | | |
| | | | | | | | | | |
| | | | | | | | | | |
| | | | | | | | | | |
| | | | | | | | | | |
| | | | | | | | | | |
| | | | | | | | | | |
| | | | | | | | | | |
| | | | | | | | | | |
| | | | | | | | | | |
| | | | | | | | | | |
| | | | | | | | | | |
| | | | | | | | | | |
| | | | | | | | | | |
| | | | | | | | | | |
| | | | | | | | | | |
| | | | | | | | | | |
| | | | | | | | | | |
| | | | | | | | | | |
| | | | | | | | | | |
| | | | | | | | | | |
| | | | | | | | | | |
| | | | | | | | | | |
| | | | | | | | | | |
| | | | | | | | | | |
| | | | | | | | | | |
| | | | | | | | | | |
| | | | | | | | | | |
| | | | | | | | | | |
| | | | | | | | | | |
| | | | | | | | | | |
| | | | | | | | | | |
| | | | | | | | | | |
| | | | | | | | | | |
| | | | | | | | | | |
| | | | | | | | | | |
| | | | | | | | | | |
| | | | | | | | | | |
| | | | | | | | | | |
| | | | | | | | | | |
| | | | | | | | | | |
| | | | | | | | | | |
| | | | | | | | | | |
| | | | | | | | | | |
| | | | | | | | | | |
| | | | | | | | | | |

LIST OF THE ABBREVIATIONS

| | |
|-------------|--|
| HW | : Hot water. |
| CW | : Cold water. |
| C | : Ceramic resistance (normal heating). |
| Ca | : Ceramic resistance (accelerated heating) |
| TP | : Immersion heater. |
| 1F | : With fittings. |
| 2F | : Without fittings. |
| 3F | : With fittings and another outlet connection. |
| AMI | : With mixing valve. |
| SMI | : Without mixing valve. |
| PUISS | : Power of th appliance. |
| PN | : Appliance with normal pression. |
| LP | : Appliance with low pression. |
| PV | : Appliance with variable power. |
| PF | : Appliance with fixed power.. |

IDENTIFICATION PLATE

SERIAL NUMBER

| | | |
|------------------------|---------------------------------------|--|
| 6 Characters : | _____ 03 09 08 _____ | Manufacturing day Month of manufacture |
| 9 Characters : | _____ 5 9 12 0606 _____ | Sequential number |
| 15 Characters : | _____ 02 11 00001 007843 _____ | Code appareil Sequential number |
| 21 Characters : | _____ 3200050 XX 08115 0000001 _____ | Sequential number Year (08) / Manufacturing day (115) |
| 22 Characters : | _____ 3200050 XX 070115 0000001 _____ | Sequential number Year (07) / Month (01) / Manufacturing day (15) |

The indications mentionned on the prices, commercial or technical literature and the scheme are written for your guidance and are available at a given time. The CONSTRUCTOR retains the power to modify the presentation, the form, the size, the conception or the material of the products.