

# SPARE PARTS EXPLODED VIEW STORAGE ELECTRIC WATER HEATERS

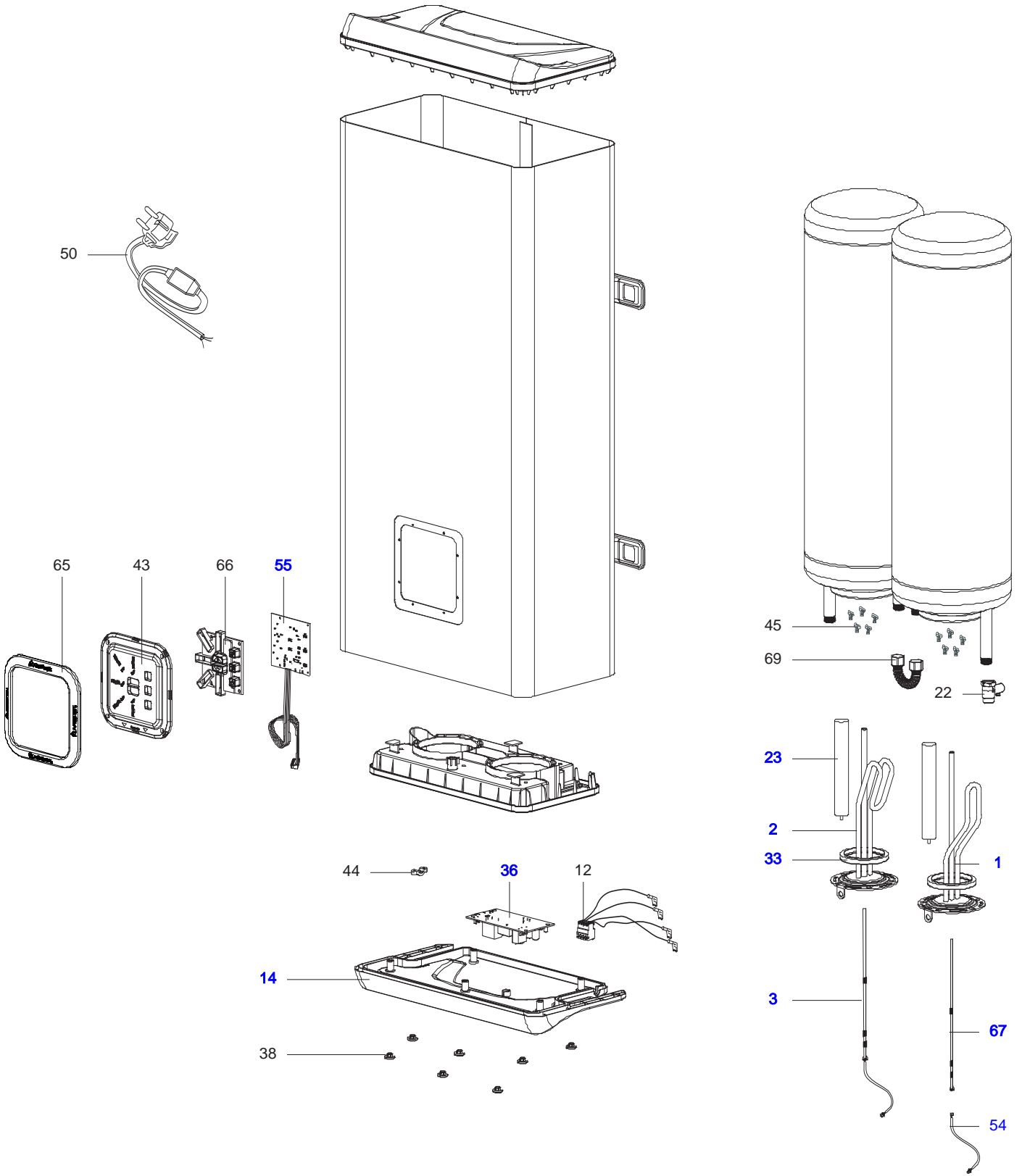
Model

## **ABS VLS PW**

R8216519-01EN - Edition 01 - 17/02/2010

360 5208		ABS VLS PW30	...	...
370 0235		ABS VLS PW30	...	...
360 5209		ABS VLS PW50	...	...
370 0236		ABS VLS PW50	...	...
360 5210		ABS VLS PW80	...	...
370 0237		ABS VLS PW80	...	...
360 5211		ABS VLS PW100	...	...
370 0238		ABS VLS PW100	...	...

Reference	Ind.	Model type	Begin	End
-----------	------	------------	-------	-----



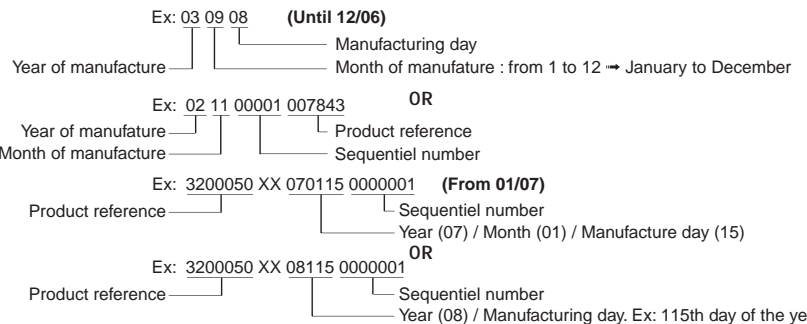


## LIST OF THE ABBREVIATIONS

HW .....	: Hot water.
CW .....	: Cold water.
C .....	: Ceramic resistance (normal heating).
Ca .....	: Ceramic resistance (accelerated heating)
TP .....	: Immersion heater.
1F .....	: With fittings.
2F .....	: Without fittings.
3F .....	: With fittings and another outlet connection.
AMI .....	: With mixing valve.
SMI .....	: Without mixing valve.
PUISS .....	: Power of th appliance.
PN .....	: Appliance with normal pression.
LP .....	: Appliance with low pression.
PV .....	: Appliance with variable power.
PF .....	: Appliance with fixed power..

## IDENTIFICATION PLATE

### SERIAL NUMBER



The indications mentioned on the prices, commercial or technical literature and the scheme are written for your guidance and are available at a given time. The CONSTRUCTOR retains the power to modify the presentation, the form, the size, the conception or the material of the products.