



**SPARE PARTS FOR GAS WATER HEATERS  
CIP-11 (RU) (UA)**

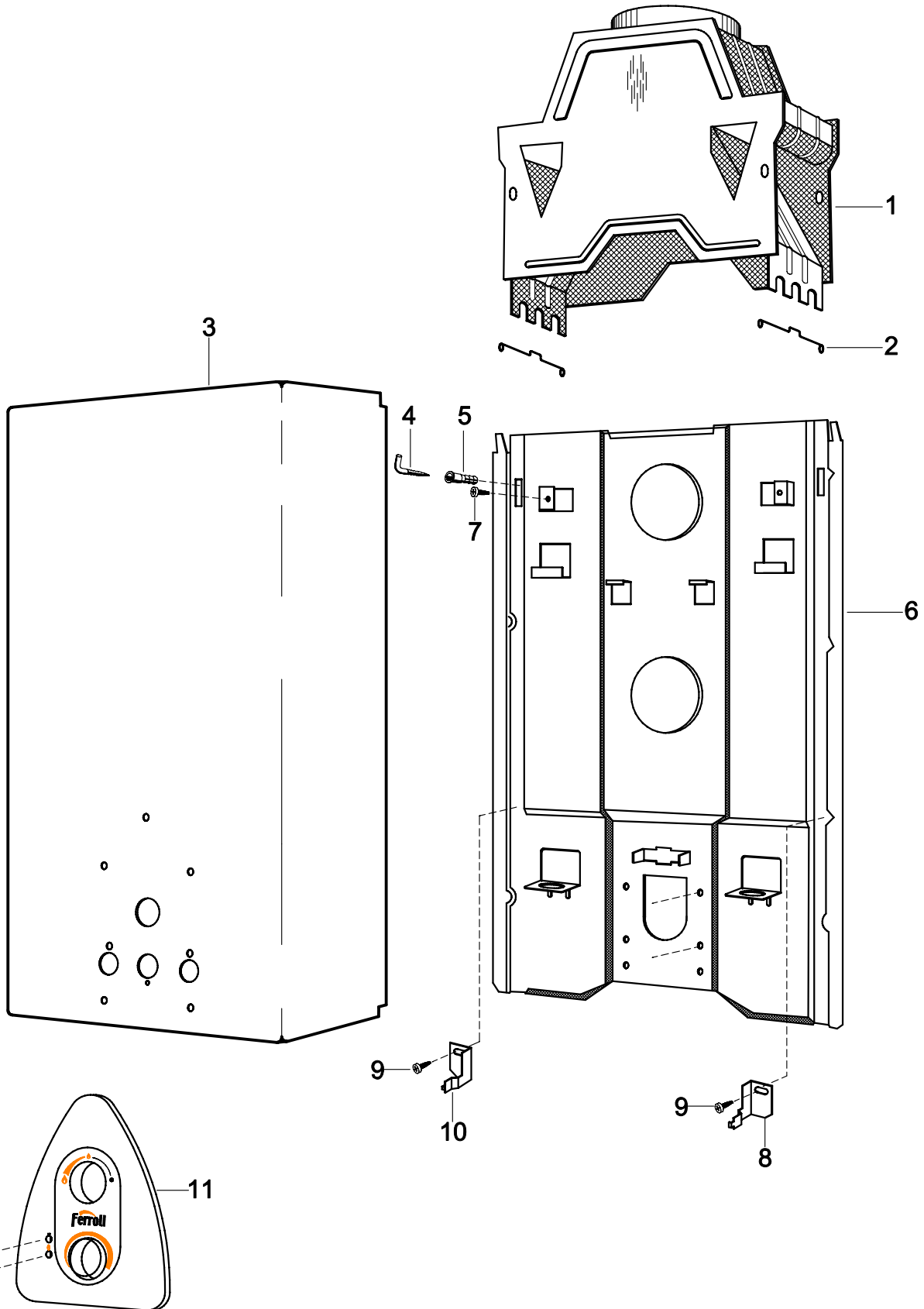
No.	DENOMINACION DESIGNATION - DENOMINATION	CODIGO CODE	No.	DENOMINACION DESIGNATION - DENOMINATION	CODIGO CODE
1	DRAUGHT DIVERTER	6936	48	O-RING 2,9 X 1,78	5096
2	FIXING SPRING	6476	49	CAP M14 X 0,75	5957
3	EXTERNAL COVER	8461	50	MICRO-HOLDER LOWER COVER	10181
4	ANGLE SCREW	5372	51	FIBER WASHER 10 X 5 X 1	5479
5	FISCHER PLUG	5373	52	SCREW AM5 X 6	5480
6	BACK SUPPORT	10402	53	SECURITY WASHER	5100
7	SCREW BZ 4,8 X 9,5	8344	54	LEVER CIP	10183
8	RIGHT MIXER FIXATION BRACKET	6264	55	THREADED ROD M3 X5	8433
9	SCREW M 4 X 10	5398	56	MICRO-HOLDER UPPER COVER	5965
10	LEFT MIXER FIXATION BRACKET	6265	57	PLATE SCREW 2,9 X 16	5966
11	FRONT DECOR PLATE	10791	58	PROTECTION CAP	5962
12	MARKING CRYSTAL	8469	59	PRESSURE CAP Ø 6	8434
13	HEAT EXCHANGER	6969	60	MICRORUPTOR	5972
14	FLEXIBLE CONNECTION HOSE	5272	61	ASSEMBLED WATER BODY	6941
15	O-RING 2,9 X 1,78	5096	62	IGNITION ELECTRODE	8658
16	SEPARATION SLEEVE	5178	63	IONISATION ELECTRODE	8472
17	O-RING 1,8 X 1,5	5117	64	PILOT CLAMP	5892
18	CAP WATER BODY	5034	65	SCREW M3 X 12	6028
19	MEMBRANE SUPPORT PLATE	5176	66	INSULATION COVER CIP	8540
20	RUBBER MEMBRANE	5170	67	IGNITION CONNECTION CABLE	8474
21	RUBBER WASHER 18 X 13 X 3,5	5643	68	GAS MIXER BATTERY RIGHT	6447
22	STEEL WASHER 18 X 13,6 X 0,4	5031	69	GAS MIXER BATTERY LEFT	6448
23	SLEEVE R 1/2"	5086	70	SCREW W/WASHER M4 X 12	5296
24	COLD WATER RISING PIPE	5461	71	INJECTOR NG Ø 1, 23	5035
25	COLD WATER STOPCOCK	5424	72	ASSEMBLED GAS DISTRIBUTOR 11L	5887
26	FIBRE WASHER 18 X 13 X 2	5349	73	GAS VERIFICATION SLEEVE	5489
27	WATER INLET CONNECTION	5878	74	GAS VERIFICATION SCREW	5003
28	WATER FILTER	6924	75	O-RING 35 X 3	5149
29	VENTURI M8-10	5460	76	GAS VALVE SPRING	5894
30	CARTRIDGE CAP	10625	77	GAS VALVE PLATE NG	8996
31	O-RING 4,48 X 1,8	5351	78	RUBBER WASHER 14,5 X 8 X 1	5520
32	MEMBRANE CARTRIDGE L-12,8	5112	79	GAS VALVE ROD	5177
33	WATER REGULATOR	5201	80	MOUNTED BOBBIN	8475
34	O-RING 7,6 X 1,8	5356	81	BOBBIN SPRING CIP	8454
35	WATER FLOW TOP WASHER	5306	82	MOBILE STAPLED Ø 8	8456
36	SCREW A M 4 X 6	5283	83	RUBBER GAS VALVE PLATE	8452
37	SELECTOR KNOB PROLONGATION	8467	84	THERMO-ELECTRIC GAS VALVE BODY	5895
38	SELECTOR KNOB	10773	85	CAP JOINT	5515
39	SCREW BZ 4,2 X 9,5	6675	86	GAS VALVE MECHANISM ASSEMBLED	8490
40	WATER FLOW SELECTOR	10777	87	MINIMUM DRAUGHT GUIDE	6174
41	SCREW A M 5 X 6	5480	88	MAXIMUM DRAUGHT GUIDE	8897
42	COVER FIXATION BRACKET	8457	89	GAS POSITION LEVER	5897
43	COVER SCREW M 4 X 10	5398	90	DRAGGING SHAFT	8468
44	FIBRE WASHER 19 X 14 X 1,5	5166	91	RETENTION RING 8	6060
45	MICRO STARTING SHAFT	8432	92	SEPARATOR	10684
46	SENSOR SPRING	6032	93	CENTERING COVER	5901
47	GUIDING SLEEVE	5959	94	SCREW M 3 X 8	5503



SPARE PARTS FOR GAS WATER HEATERS  
CIP-11 (RU) (UA)

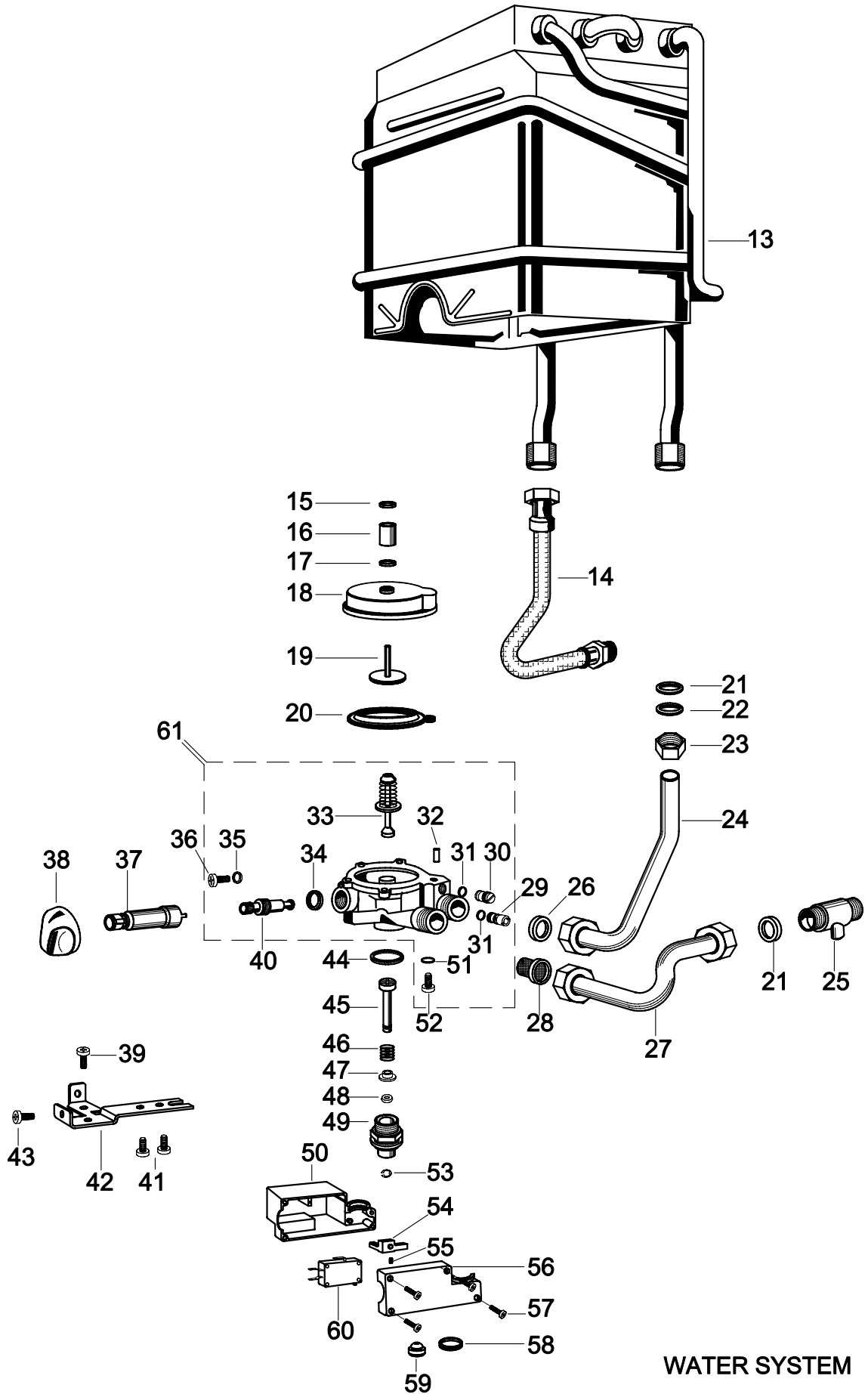
No.	DENOMINACION DESIGNATION - DENOMINATION	CODIGO CODE	No.	DENOMINACION DESIGNATION - DENOMINATION	CODIGO CODE
95	ASSEMBLED MICRO CONNECTION	6548			
96	DIAPHRAGM Ø 3,1 NG	6775			
97	BRASS SCREW M5 X 12	5428			
98	FIBER WASHER 24 X 18 X 2	5631			
99	NATURAL GAS CONNECTION	8710			
100	CAP M12 X 1	5956			
101	JOINT 17 X 12	5639			
102	SELF-CUTTING SCREW AM4 X 15	8538			
103	TIE FOR SELF-ADHESIVE CABLING	6322			
104	SCREW B2,9 X 6,5	5731			
105	MINI CONTACTOR 85°C	6939			
106	CABLING TRUNK	8473			
107	RED LED	8541			
108	AMBER LED	8542			
109	PLASTIC SCREW 3,1 X 8	8478			
110	CARD BOX PROTECTOR	10329			
111	BOX COVER	8463			
112	PRESSURE CAP	8453			
113	CONTROL CARD	10621			
114	BOX FOR CARD	8462			
115	PLASTIC SCREW 3,1 X 18	8477			
116	BATTERY HOUSING	8464			
117	2 ALKALINE BATTERIES	8479			
118	CONNETION PLATE - CIP	8458			
119	CONNECTION PLATE + CIP	8459			
120	CONNECTION PLATE +/- CIP	8460			
	INSTRUCTIONS HANDBOOK	10761			
	CARTON BOX	10767			
	SUPERIOR STYROPOR PROTECTOR	5909			
	LOWER STYROPOR PROTECTOR	5910			
	ACCESSORIES BAG	10264			
	DATA LABEL N.G.	10788			
	IDENTIFICATION LABEL N.G.	10789			
	GAS TYPE LABEL N.G.	10790			
	AVERTISSEMENTS LABEL	10766			
	DATA LABEL GOST	10165			
	ELECTRICALS CONNECTIONS LABEL	10622			

	Modific.	Modific.	Modific.	Modific.	Modific.	Modific.	Modific.	Modelo:
Fecha	25/10/06							Model: CIP-11 (RU) (UA)
V°.B°:	<i>Ant.</i>							Modele:



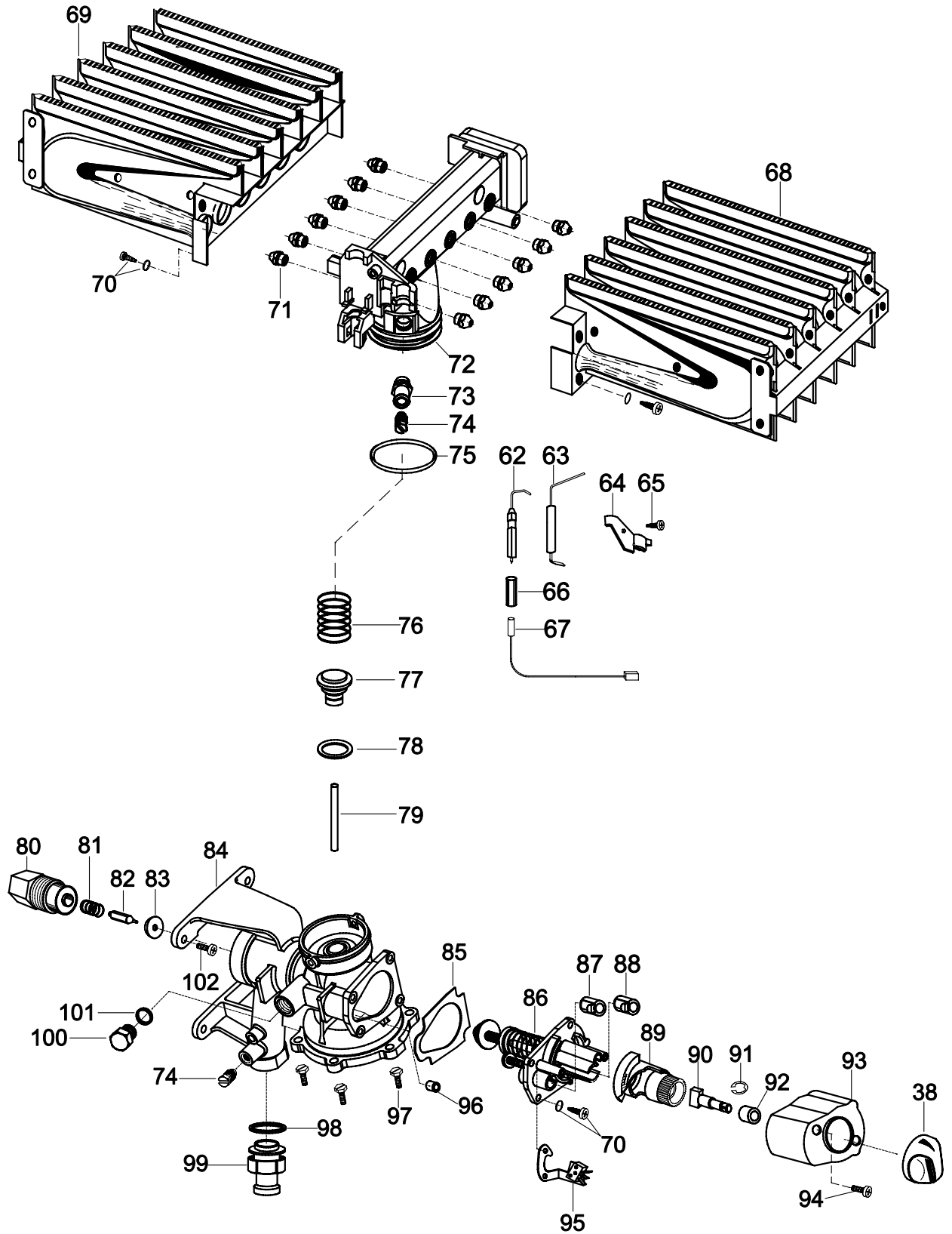
GAS WATER HEATER

	Modific.	Modific.	Modific.	Modific.	Modific.	Modific.	Modific.	Modelo:	CIP-11 (RU) (UA)
Fecha	25/10/06							Model:	
V°.B°.	<i>Aut.</i>							Modele:	



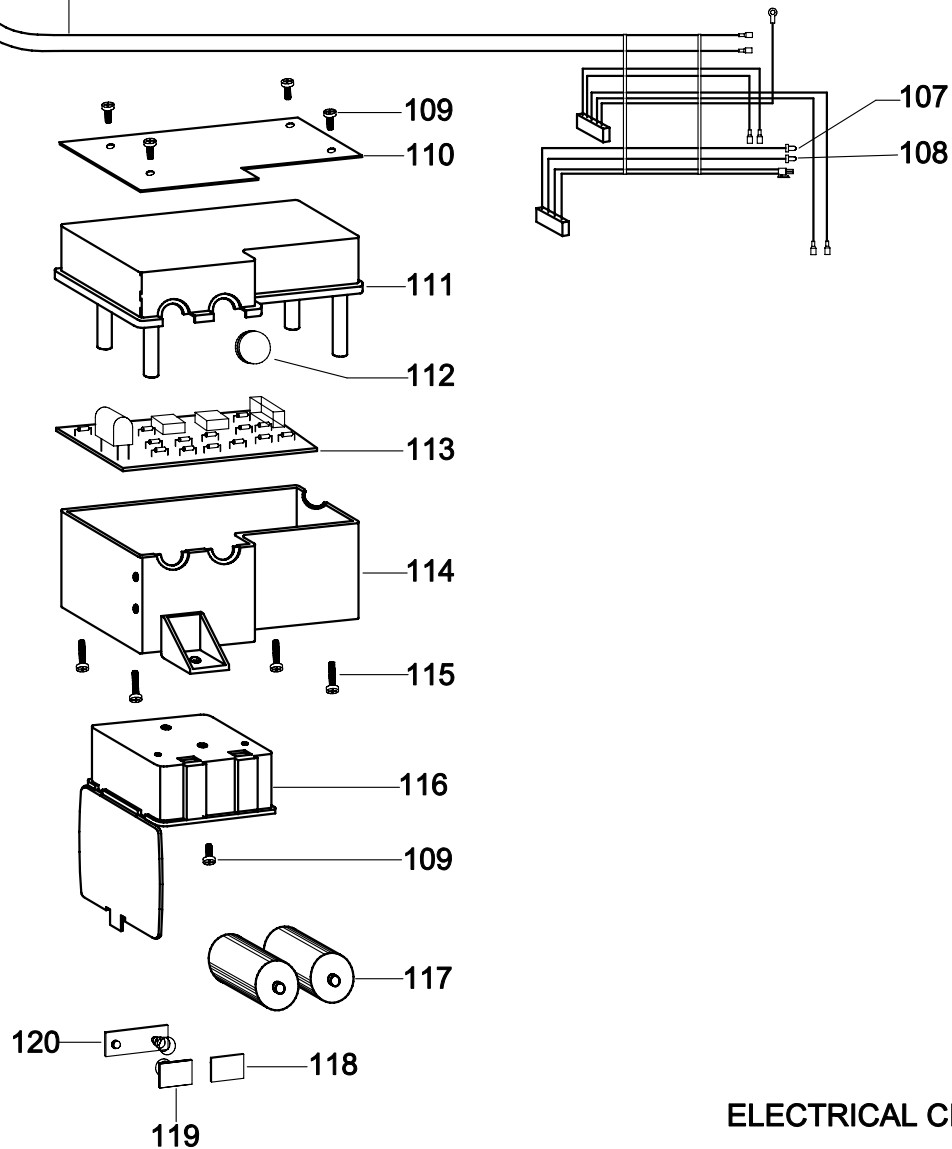
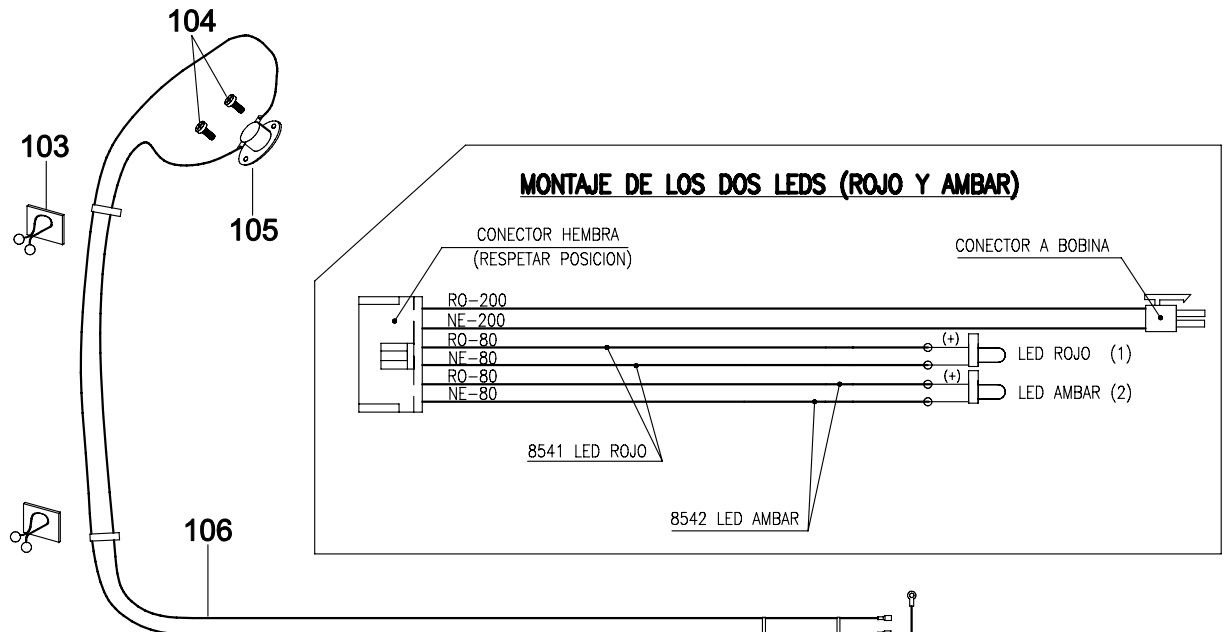
	Modific.	Modific.	Modific.	Modific.	Modific.	Modific.	Modific.
Fecha	23/10/06						
V°.B°.	<i>[Signature]</i>						

Modelo: **CIP-11 (RU) (UA)**  
 Model:  
 Modele:



**GAS SYSTEM**

	Modific.	Modific.	Modific.	Modific.	Modific.	Modific.	Modific.	<b>Modelo:</b>
Fecha	23/10/06							<b>Model:</b> CIP-11 (RU) (UA)
V°.B°:	<i>Aut</i>							<b>Modele:</b>



ELECTRICAL CIRCUIT