

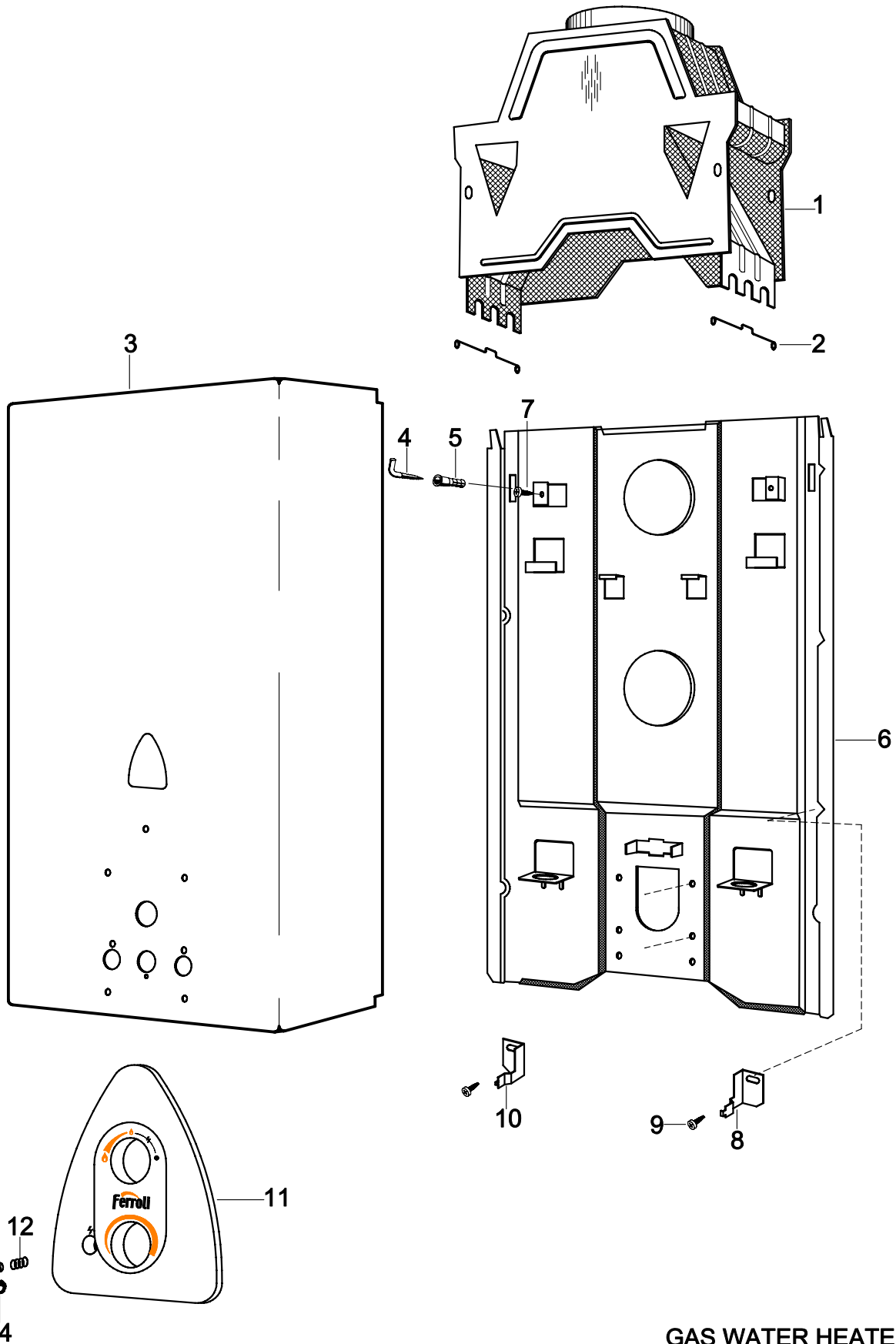


SPARE PARTS FOR GAS WATER HEATERS CL-11 (RU) (UA)

No.	DENOMINACION DESIGNATION - DENOMINATION	CODIGO CODE	No.	DENOMINACION DESIGNATION - DENOMINATION	CODIGO CODE
1	DRAUGHT DIVERTER	6936	48	COVER FIXATION BRACKET	5881
2	FIXING SPRING	6476	49	COVER SCREW M 4 X 10	5398
3	EXTERNAL COVER	8826	50	ASSEMBLED WATER BODY	6941
4	ANGLE SCREW	5372	51	PILOT LIGHT HEAD	5889
5	FISCHER PLUG	5373	52	PILOT CLAMP	5892
6	BACK SUPPORT	10402	53	SCREW M 3 X 12	6028
7	SCREW BZ 4,8 X 9,5	8344	54	PILOT LIGHT CHAMBER	8189
8	RIGHT MIXER FIXATION BRACKET	6264	55	SCREW M 3 X 6	6031
9	SCREW M 4 X 10	5398	56	MULTIGAS MIXER LPG/NG RIGHT	6447
10	LEFT MIXER FIXATION BRACKET	6265	57	MULTI-GAS MIXER LPG/NG LEFT	6448
11	FRONT DECOR PLATE	10771	58	PILOT SPRING	5078
12	PUSHING SPRING	5875	59	GAS VERIFICATION SLEEVE	5489
13	PIEZO BUTTON	10772	60	GAS PRESSURE TEST SCREW	5003
14	FIXING RING	5293	61	BURNER JET NG	5035
15	HEAT EXCHANGER	6937	62	PILOT CONNECTION NG	8990
16	FLEXIBLE CONNECTION HOSE	5272	63	PILOT TUBE WASHER	8412
17	O-RING 2,9 X 1,78	5096	64	RUBBER WASHER 11,7 X 4 X 2	8411
18	SEPARATION SLEEVE	5178	65	O-RING 35 X 3	5149
19	O-RING 1,8 X 1,5	5117	66	BURNER BODY	5887
20	CAP WATER BODY	5034	67	GAS VALVE SPRING	5894
21	MEMBRANE SUPPORT PLATE	5176	68	VALVE PLATE NG	8996
22	RUBBER MEMBRANE	5170	69	WASHER 14,5 X 8 X 1	5520
23	RUBBER WASHER 18 X 13 X 3,5	5643	70	GAS VALVE ROD	5177
24	STEEL WASHER 18 X 13,6 X 0,4	5031	71	COVER JOINT	5515
25	SLEEVE R 1/2"	5086	72	ASSEMBLED GAS VALVE MECHANISM	8828
26	COLD WATER RISING PIPE	5461	73	GAS POSITION LEVER	5897
27	COLD WATER STOPCOCK	5424	74	DRAGGING SHAFT	8468
28	FIBRE WASHER 18 X 13 X 2	5349	75	RETENTION RING 8	6060
29	WATER INLET CONNECTION	5878	76	DRAGGING SHAFT SPRING	5900
30	WATER FILTER	6924	77	CENTERING COVER	5901
31	O-RING 4,48 X 1,8	5351	78	SCREW A M 3 X 8	5503
32	VENTURI M8-10	5460	79	SCREW A M 4 X 12	5296
33	PROGRESSIVE IGNITION CARTRIDGE	5023	80	DIAPHRAGM GN Ø 3,1 (ORANGE)	6775
34	MEMBRANE CARTRIDGE L-12,8	5112	81	SCREW M 5 X 12	5428
35	WATER REGULATOR	5201	82	WASHER 24 X 18 X 2	5631
36	O-RING 7,6 X 1,8	5356	83	NATURAL GAS CONNECTION	8710
37	WATER FLOW TOP WASHER	5306	84	SCREW A M 4 X 15	8538
38	SCREW A M 4 X 6	5283	85	THERMOELECTRIC VALVE BODY LPG/NG	5895
39	SELECTOR KNOB PROLONGATION	8467	86	MAGNETIC COIL GROUP	5637
40	SELECTOR KNOB	10773	87	BOBBIN GROUP CLOSING NUT	5636
41	FIBRE WASHER 10 X 5 X 1	5479	88	PIEZO LIGHTER	6504
42	SCREW A M 5 X 6	5480	89	ASSEMBLED THERMO-ELEMENT	6938
43	WATER FLOW SELECTOR	10777	90	RETENTION RING 6	5293
44	SCREW WITH WASHER M 4X10	5500	91	LIMITER THERMOSTAT 85°C	6939
45	FIBRE WASHER 19 X 14 X 1,5	5166	92	SCREW B 2,9 X 6,5	5731
46	THREADED PLUG M 14 X 0,75	5478	93	MINIMUM DRAUGHT GUIDE	6174
47	SCREW A M 5 X 10	5015	94	MAXIMUM DRAUGHT GUIDE	8897

	Modific.	Modific.	Modific.	Modific.	Modific.	Modific.	Modific.	Modelo:
Fecha	16/10/06							Model:
V°.B°.:	<i>cat.</i>							Modele:

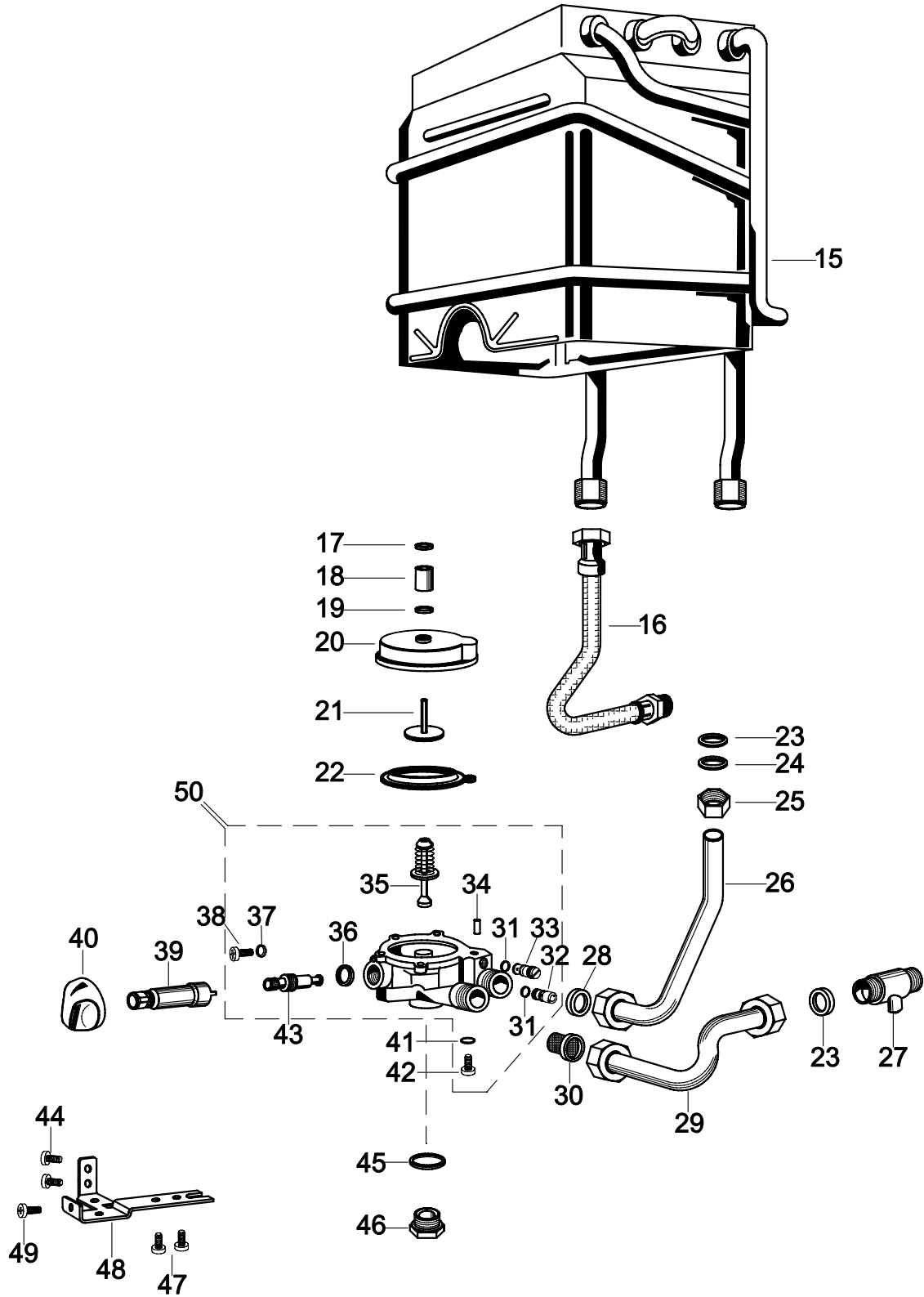
CL-11 (RU) (UA)



GAS WATER HEATER

	Modific.	Modific.	Modific.	Modific.	Modific.	Modific.	Modific.
Fecha	16/10/06						
V°.B°:	<i>Ant</i>						

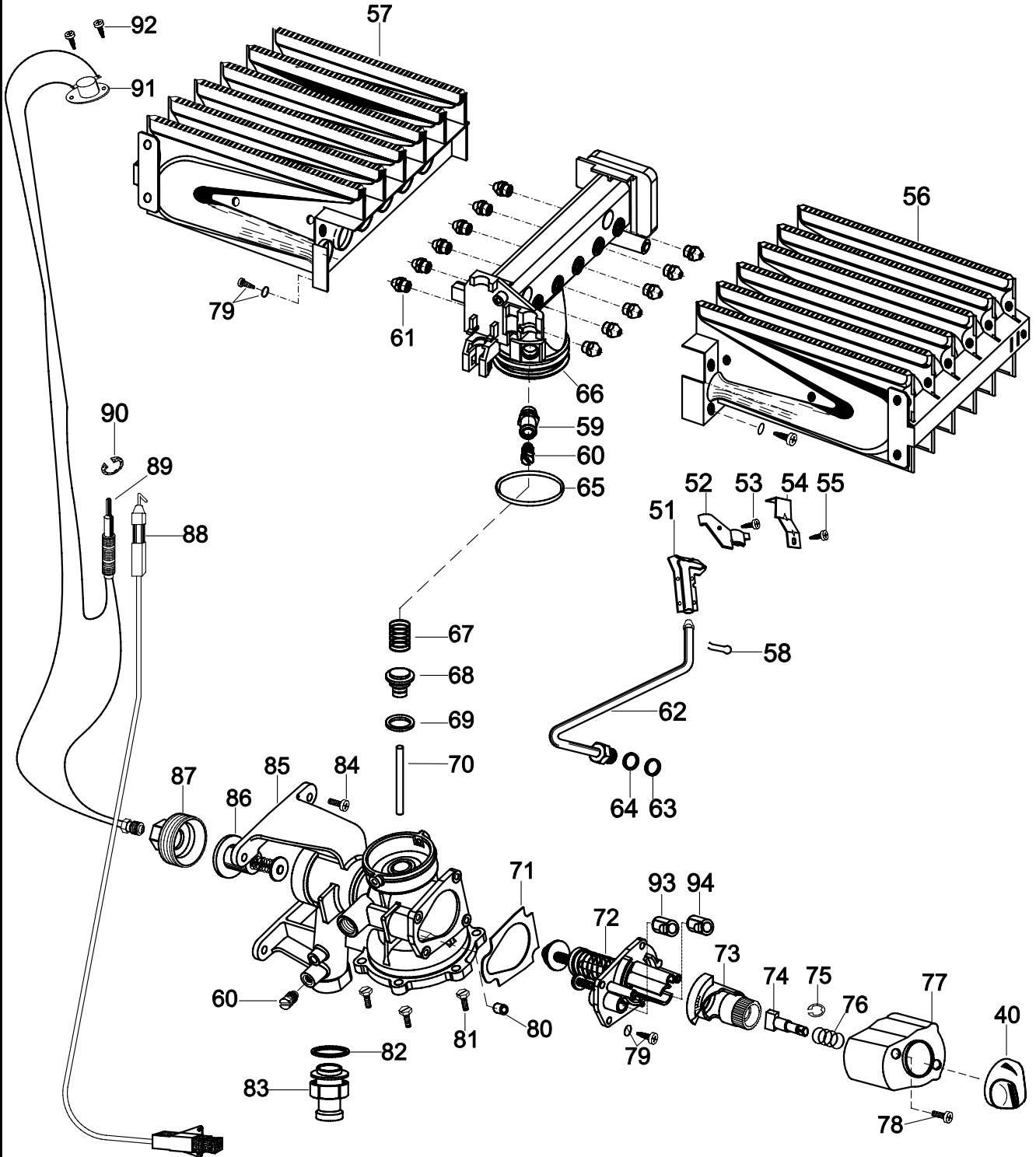
Modelo: CL-11 (RU) (UA)
 Model: CL-11 (RU) (UA)
 Modele:



WATER SYSTEM

	Modific.	Modific.	Modific.	Modific.	Modific.	Modific.	Modific.
Fecha	16/10/06						
V°.B°.	<i>Aut</i>						

Modelo: **CL-11 (RU) (UA)**
 Model:
 Modele:



GAS SYSTEM