

The logo for Ferroli, featuring the brand name in a bold, black, sans-serif font with a stylized orange and yellow arc above the 'o'.

## **ELITE STRATOS F30**

**LISTA PEZZI DI RICAMBIO**

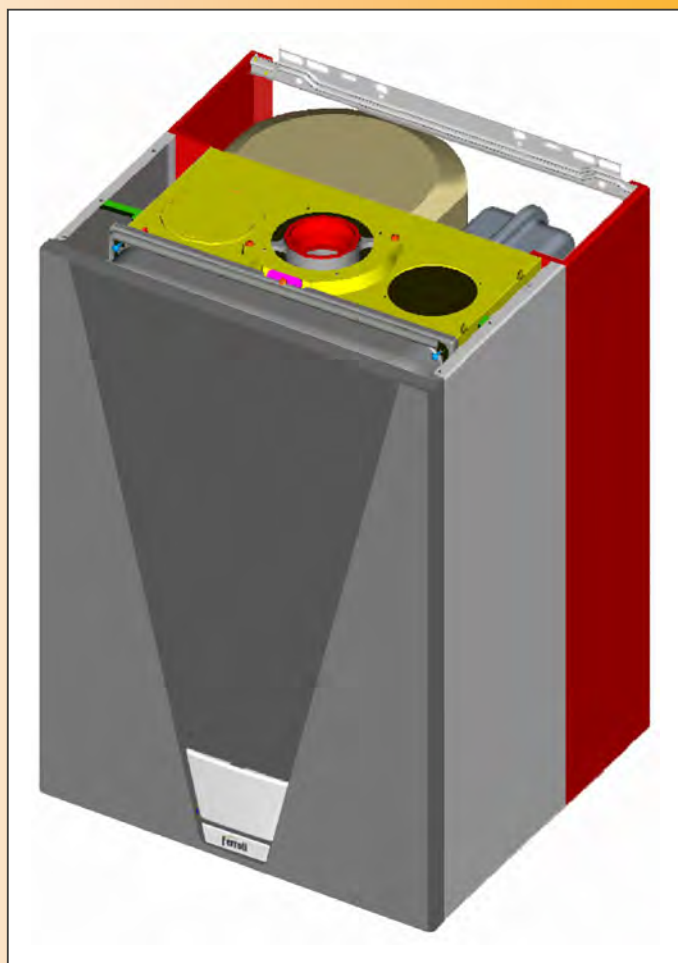
**SPARE PART LIST**

**ERSATZSTEILE**

**LIJST ONDERDELEN**

**LISTE PIECES DETACHES**

**LISTA PIEZAS DE REPUESTO**



**CODICE**

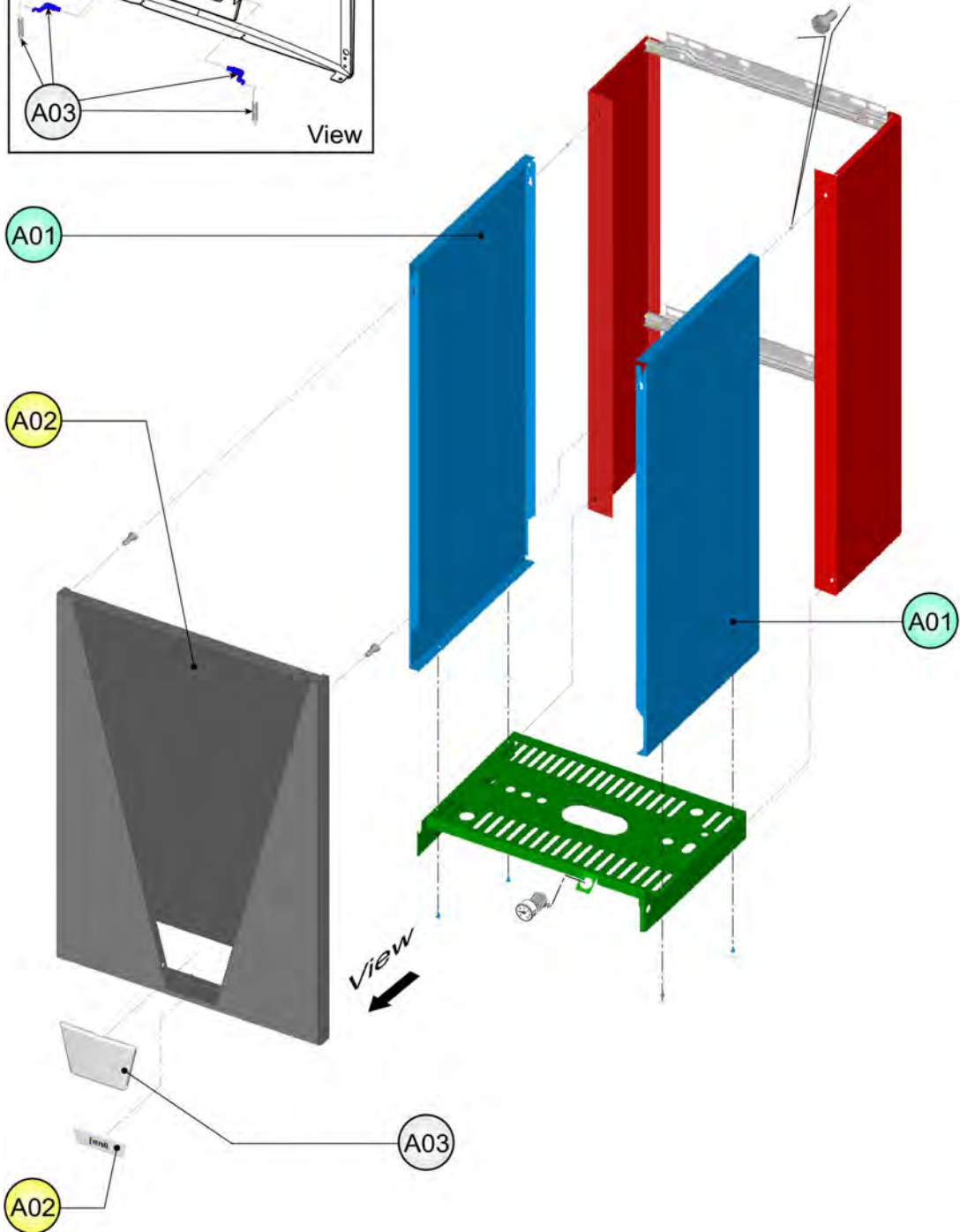
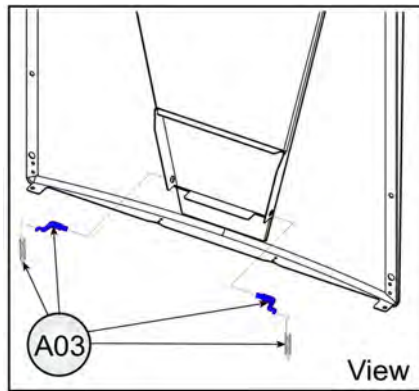
**30K0261000**

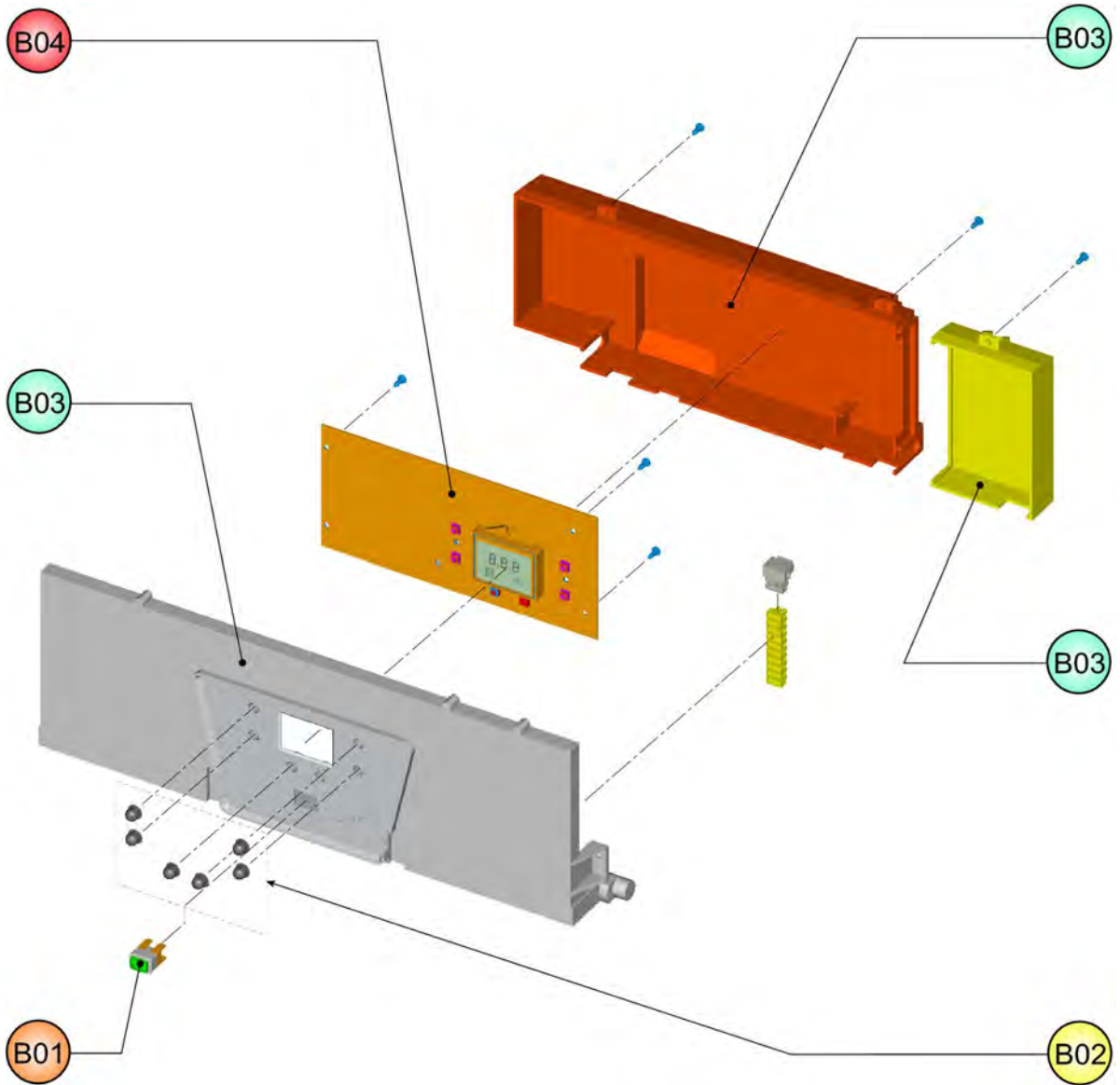
**EDIZIONE**

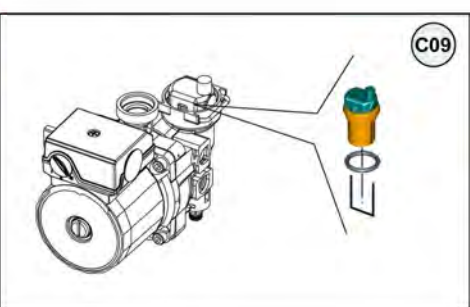
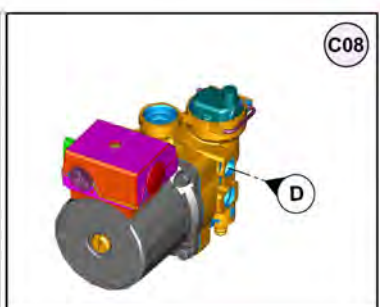
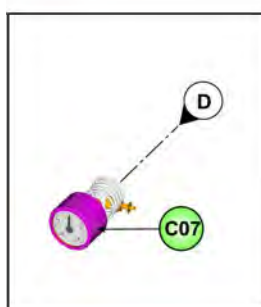
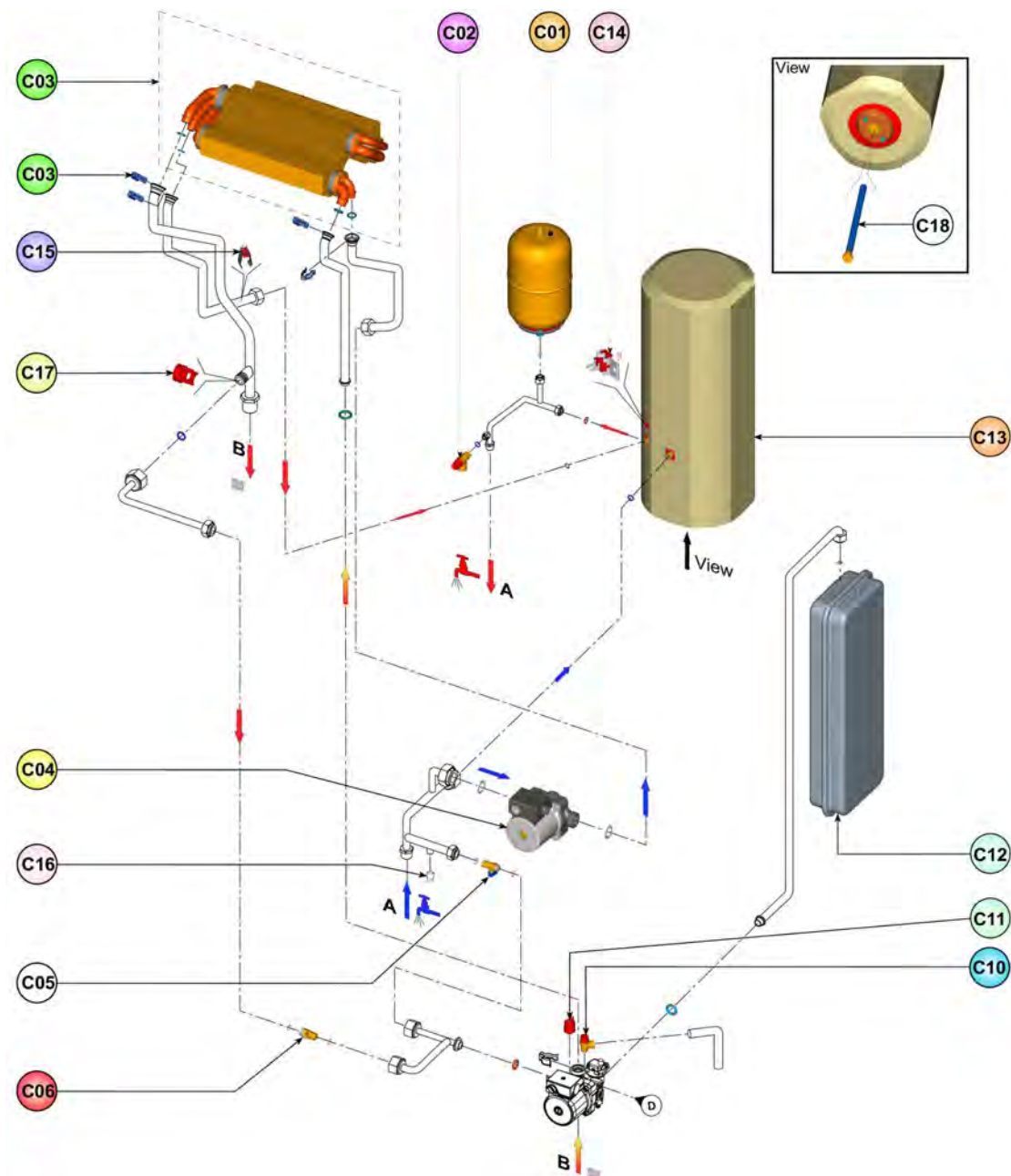
**11/11/2005**

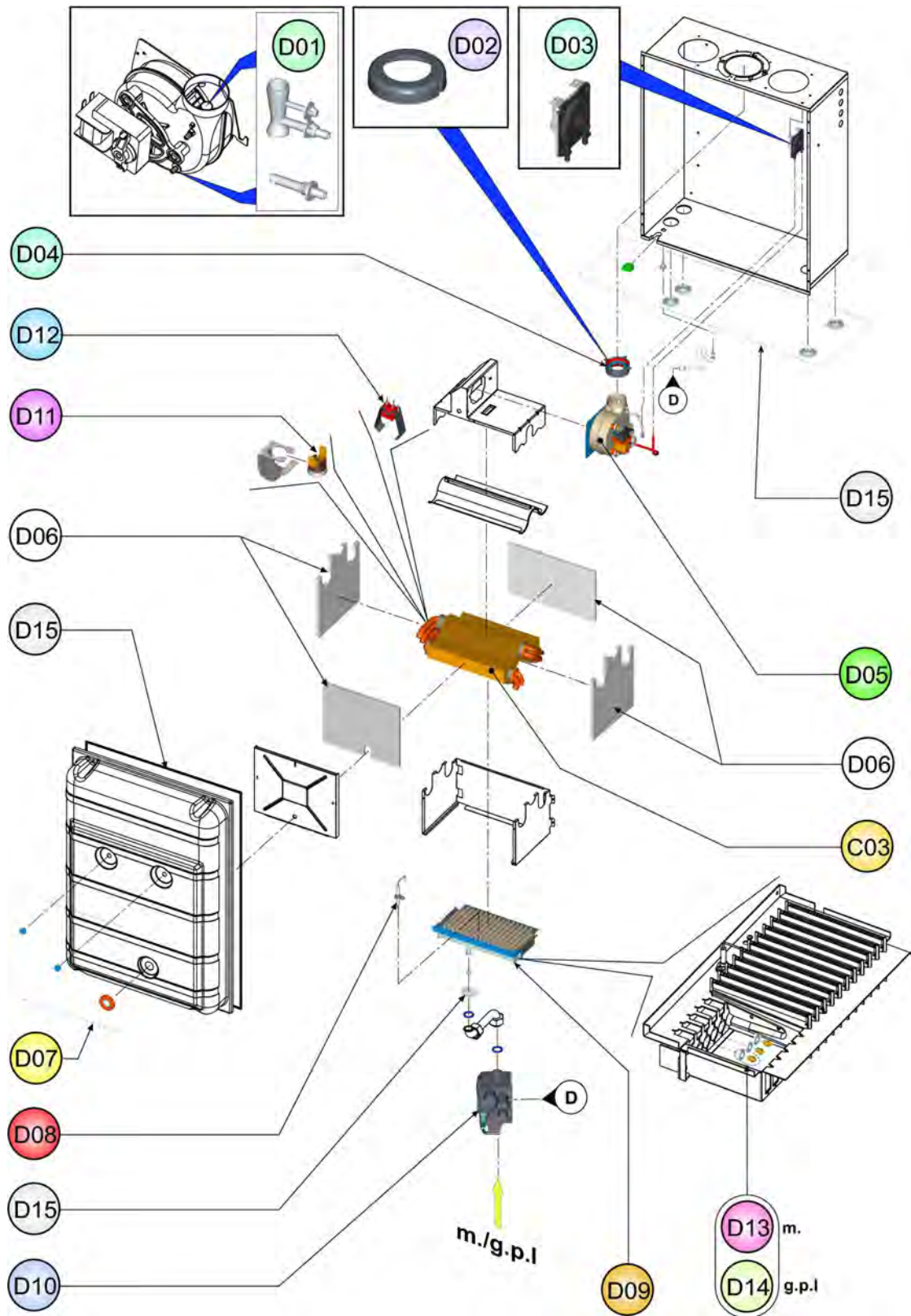
**MERCATO**

**IT**









| <b>LISTA PEZZI</b> |               |                                  |            |
|--------------------|---------------|----------------------------------|------------|
| <b>POS.</b>        | <b>CODICE</b> | <b>DESC.</b>                     | <b>QT.</b> |
| A01                | 39809710      | KIT FIANCO REVERS. (31106260)    | 1          |
| A02                | 39818750      | KIT PANNELLO ANTER. (31107770)   | 1          |
| A03                | 39809720      | KIT PORTELLINO RAME Fm.B6-B9     | 1          |
| B01                | 39811480      | KIT 5 PULSANTI (36100460)        | 1          |
| B02                | 39817750      | KIT TASTI NERI N°2 (35102320)    | 1          |
| B03                | 39817760      | KIT SCATOLA ELETTR. (35011660)   | 1          |
| B04                | 39817770      | KIT CENTRALINA "DSP" (38321260)  | 1          |
| C01                | 39818200      | KIT VASO ESP.2Lt. (36800480)     | 1          |
| C02                | 39809950      | KIT VALV.SIC.9bar (36900460)     | 1          |
| C03                | 39818460      | KIT PACCO LAM. (37403920)        | 1          |
| C04                | 39818760      | KIT POMPA (36600080)             | 1          |
| C05                | 39808980      | KIT RUBINETTO 3/8" (36901470)    | 1          |
| C06                | 39810360      | KIT RUBIN. 3/8" (36901940)       | 1          |
| C07                | 39818210      | KIT IDROMETRO (36402070)         | 1          |
| C08                | 39818450      | KIT POMPA AO/FX3FPL (39404220)   | 1          |
| C09                | 39818220      | KIT V.ARIA (39404380-39404730)   | 1          |
| C10                | 39818270      | KIT VALV.SIC. (39404720)         | 1          |
| C11                | 39818770      | KIT TRANSDUTT.PRESS. (36402100)  | 1          |
| C12                | 39810050      | KIT VASO ESP.10Lt. (36802800)    | 1          |
| C13                | 39818780      | KIT BOILER 25Lt. (37704840)      | 1          |
| C14                | 39808560      | KIT SONDA BOILER (36200560)      | 1          |
| C15                | 39810230      | KIT SONDA TEMP. SAN. (36200640)  | 1          |
| C16                | 39810320      | KIT RUBIN. SCARICO (36901630)    | 1          |
| C17                | 39818790      | KIT 10 VALV.N/R. (36902190)      | 1          |
| C18                | 39819300      | KIT ANODO MAGN. (39402670)       | 1          |
| D01                | 39808471      | KIT PRESE (35101310-35101323)    | 1          |
| D02                | 39811470      | KIT DIAFRAMMI FUMI D.47-50-52    | 1          |
| D03                | 39805630      | KIT PRESS. DIFF. ARIA (36400060) | 1          |
| D04                | 39808750      | KIT RACC. COLL. VENT. (32117090) | 1          |
| D05                | 39819310      | KIT VENTIL. (36601380)           | 1          |
| D06                | 39811460      | KIT ISOL.CAM.COMB.CALD.Sr.A206   | 1          |
| D07                | 39811330      | KIT SPIA SILICONE (35102230)     | 1          |
| D08                | 39812170      | KIT ELETTRODO ACC. (36702581)    | 1          |
| D09                | 39811440      | KIT CASSETTO 16R m. (37608290)   | 1          |
| D10                | 39817850      | KIT VALV.GAS (36800420)          | 1          |
| D11                | 39805650      | KIT TST.C.ARG.100°C (36400900)   | 1          |
| D12                | 39810220      | KIT SONDA TEMP.RISC. (36200540)  | 1          |
| D13                | 39810150      | KIT 16 UG.1,25 (EL) (34009351)   | 1          |
| D14                | 39810160      | KIT 16 UG.0,75 (EL) (34009711)   | 1          |
| D15                | 39817730      | KIT GUARN.+PR.ARIA Sr.A9F6 new   | 1          |

**DESCRIZIONE MODIFICHE:**

---



---



---



---

**NOTE TECNICHE:**

Firma

DI CARLO Cristian