

# **BAXI S.p.A.**



## **SAG 2**

### **SPARE PARTS CATALOGUE**

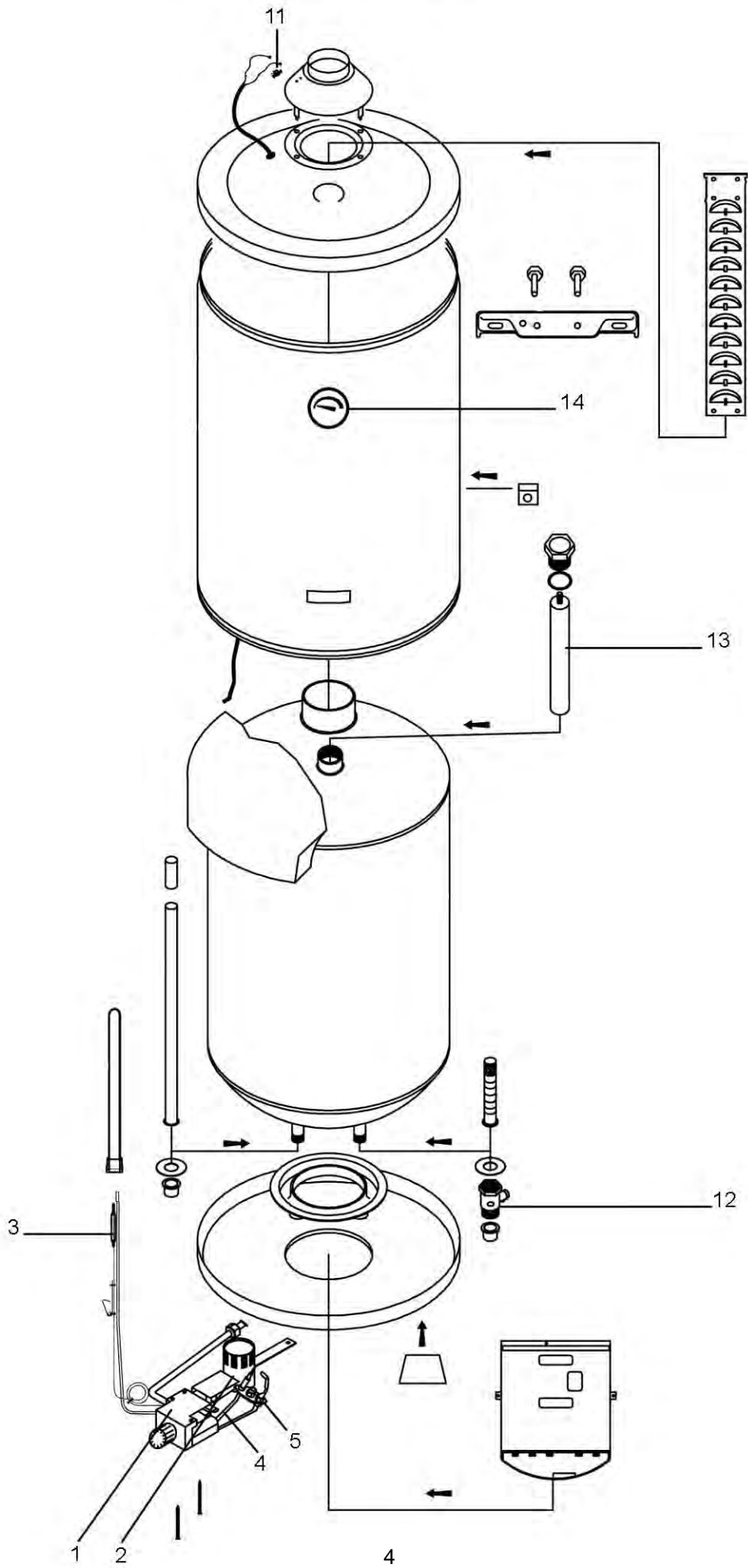
**- November 2009 -**

# SAG2 - GAS FIRED WATER HEATERS

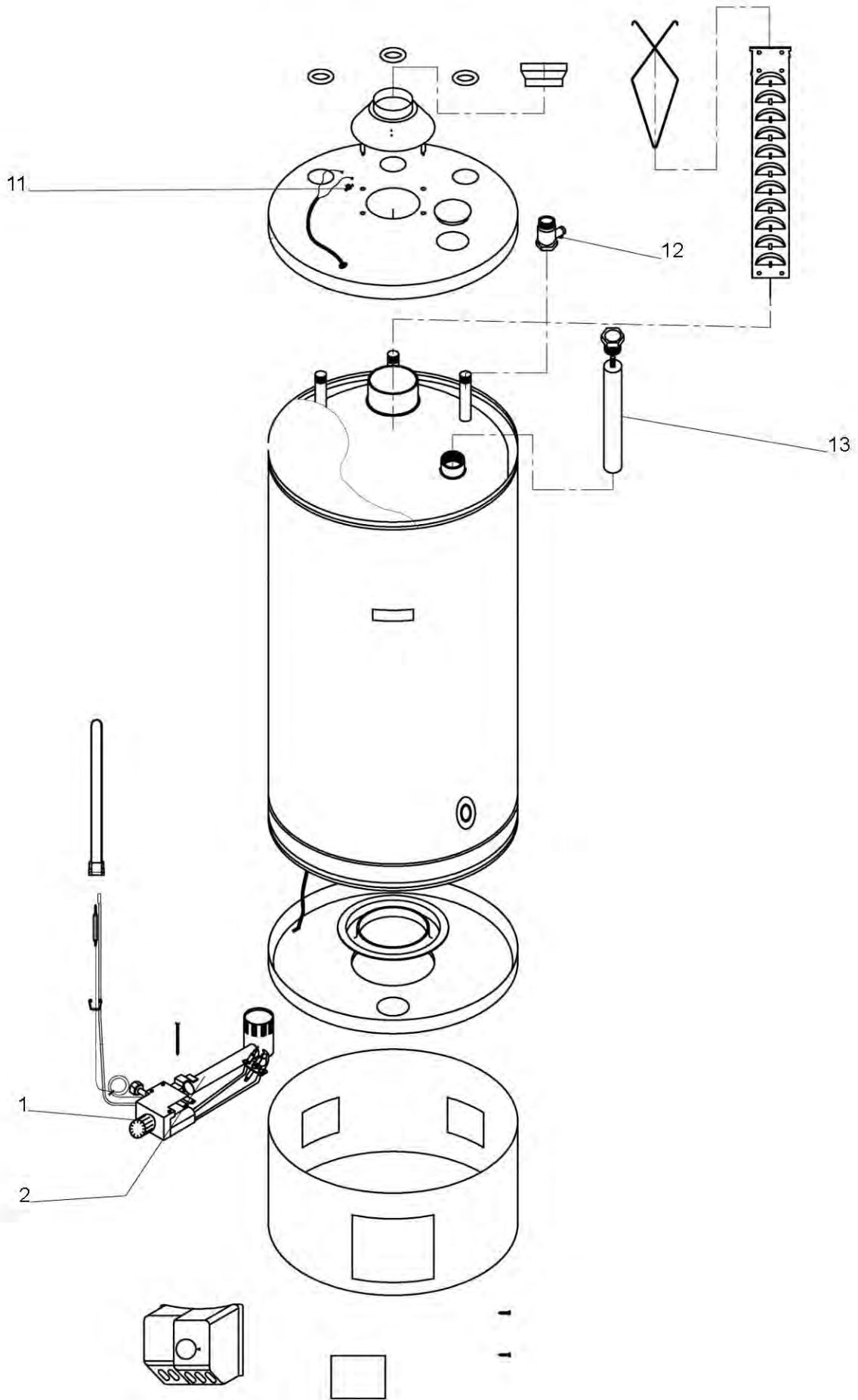
# SPARE PARTS CATALOGUE

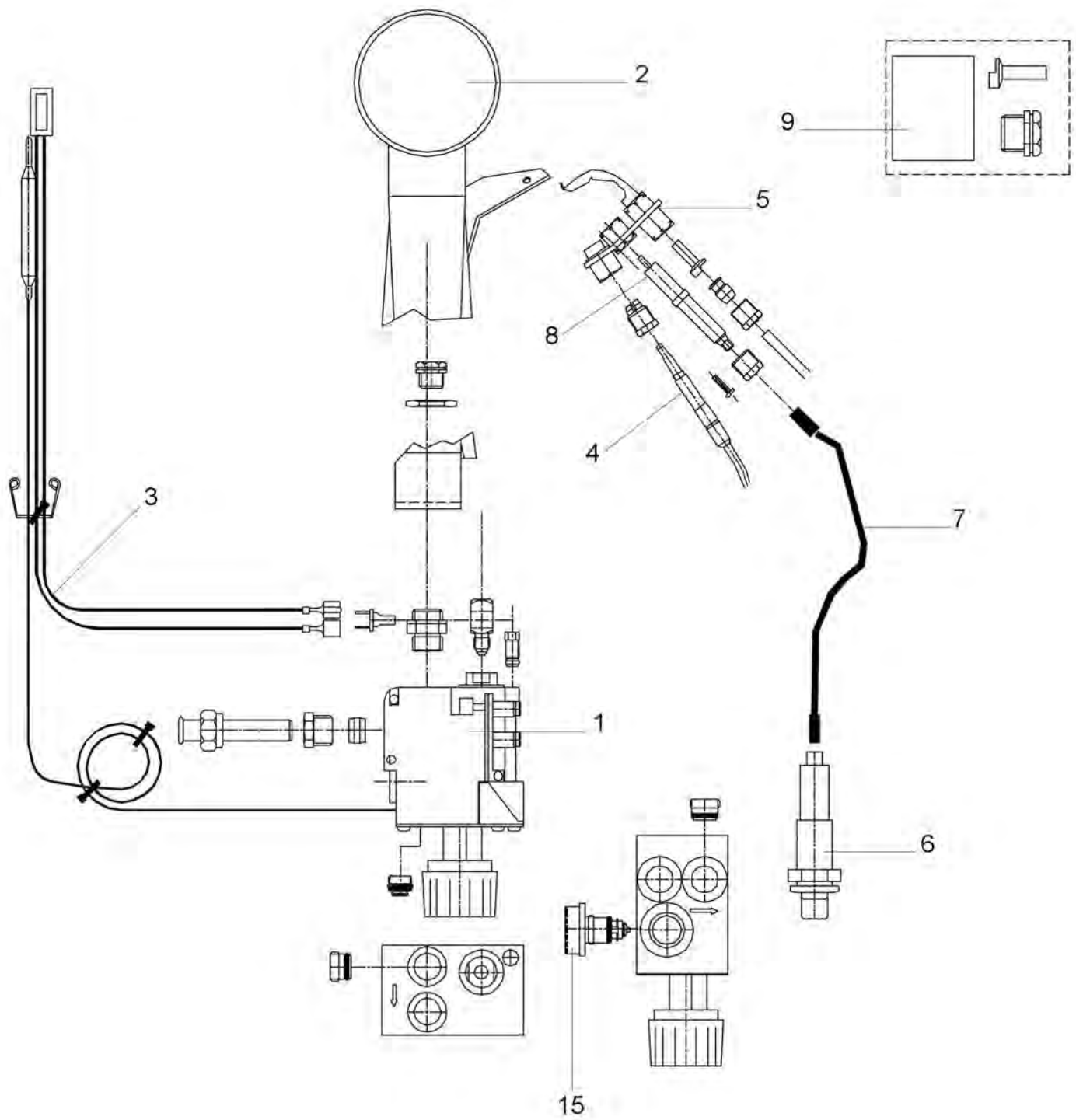
MODEL DESCRIPTION	position	Code	Descrizione ricambio	Description code
SAG2 50-80-100 (GVS)	1	5310120	VALVOLA GAS EUROSIT 630	EUROSIT 630 GAS VALVE
SAG2 50-80-100 (GVS)	2	5310130	BRUCIATORE POLIDORO	BURNER 50-80-100
SAG2 50-80-100 (GVS)	3	5310140	CABL. LIMITATORE DI SOVRATEMP. ACQUA	OVERHEATING LIMITER WIRING
SAG2 50-80-100 (GVS)	4	5310150	TERMOCOPPIA	THERMOCOUPLE
SAG2 50-80-100 (GVS)	5	5310160	GRUPPO PILOTA "TARGET"	PILOT BURNER
SAG2 50-80-100 (GVS)	6	5310170	PULSANTE PIEZO	PIEZO IGNITER
SAG2 50-80-100 (GVS)	7	5310180	CAVO ACCENSIONE PIEZO	PIEZO WIRING
SAG2 50-80-100 (GVS)	8	5310190	CANDELA PIEZO	ELECTRODE
SAG2 50-80-100 (GVS)	9	5310200	KIT UGELLI PER G30 - G31 / 50l	LPG INJECTORS KIT / 50l
SAG2 50-80-100 (GVS)	9	5310210	KIT UGELLI PER G30 - G31 / 80l-100l	LPG INJECTORS KIT / 80l-100l
SAG2 50-80-100 (GVS)	9	5310220	KIT UGELLI PER G20 / 50l	NATURAL GAS INJECTORS KIT / 50l
SAG2 50-80-100 (GVS)	9	5310230	KIT UGELLI PER G20 / 80l-100l	KIT UGELLI PER G20 / 80l-100l
SAG2 50-80-100 (GVS)	11	5310240	TERMOSTATO FUMI	SMOKE EXHAUST SAFETY THERMOSTAT
SAG2 50-80-100 (GVS)	12	5310250	VALV. DI RITEGNO E SICUREZZA TARATA	HYDRAULIC SAFETY VALVE
SAG2 50-80-100 (GVS)	13	5310260	ANODO DI MAGNESIO	MAGNESIUM ANODE
SAG2 50-80-100 (GVS)	14	5310270	TERMOMETRO	THERMOMETER
SAG2 50-80-100 (GVS)	15	5310280	REGOLATORE DI PRESSIONE	GAS SAFETY VALVE
SAG2 125T-155T-195T (GSX125/155/195)	1	5310120	VALVOLA GAS EUROSIT 630	EUROSIT 630 GAS VALVE
SAG2 125T-155T-195T (GSX125/155/195)	2	5310290	BRUCIATORE POLIDORO	BURNER 125T-155T-195T
SAG2 125T-155T-195T (GSX125/155/195)	3	5310140	CABL. LIMITATORE DI SOVRATEMP. ACQUA	OVERHEATING LIMITER WIRING
SAG2 125T-155T-195T (GSX125/155/195)	4	5310300	TERMOCOPPIA	THERMOCOUPLE
SAG2 125T-155T-195T (GSX125/155/195)	5	5310160	GRUPPO PILOTA "TARGET"	PILOT BURNER
SAG2 125T-155T-195T (GSX125/155/195)	6	5310170	PULSANTE PIEZO	PIEZO IGNITER
SAG2 125T-155T-195T (GSX125/155/195)	7	5310310	CAVO ACCENSIONE PIEZO	PIEZO WIRING
SAG2 125T-155T-195T (GSX125/155/195)	8	5310190	CANDELA PIEZO	ELECTRODE
SAG2 125T-155T-195T (GSX125/155/195)	9	5310320	KIT UGELLI PER G30 - G31 / 125T	LPG INJECTORS KIT / 125T
SAG2 125T-155T-195T (GSX125/155/195)	9	5310330	KIT UGELLI PER G30 - G31 / 155T	LPG INJECTORS KIT / 155T
SAG2 125T-155T-195T (GSX125/155/195)	9	5310340	KIT UGELLI PER G30 - G31 / 195T	LPG INJECTORS KIT / 195T
SAG2 125T-155T-195T (GSX125/155/195)	9	5310350	KIT UGELLI PER G20 / 125T	NATURAL GAS INJECTORS KIT / 125T
SAG2 125T-155T-195T (GSX125/155/195)	9	5310360	KIT UGELLI PER G20 / 155T	NATURAL GAS INJECTORS KIT / 155T
SAG2 125T-155T-195T (GSX125/155/195)	9	5310370	KIT UGELLI PER G20 / 195T	NATURAL GAS INJECTORS KIT / 195T
SAG2 125T-155T-195T (GSX125/155/195)	11	5310240	TERMOSTATO FUMI	SMOKE EXHAUST SAFETY THERMOSTAT
SAG2 125T-155T-195T (GSX125/155/195)	12	5310380	VALV. DI RITEGNO E SICUREZZA TARATA	HYDRAULIC SAFETY VALVE
SAG2 125T-155T-195T (GSX125/155/195)	13	5310390	ANODO DI MAGNESIO	MAGNESIUM ANODE
SAG2 125T-155T-195T (GSX125/155/195)	15	5310280	REGOLATORE DI PRESSIONE	GAS SAFETY VALVE
SAG2 300 T (GSX BG 300)	1	5310400	VALVOLA GAS AC3	GAS VALVE AC3
SAG2 300 T (GSX BG 300)	2	5310410	BRUCIATORE POLIDORO	BURNER 300T
SAG2 300 T (GSX BG 300)	4	5310420	TERMOCOPPIA	THERMOCOUPLE
SAG2 300 T (GSX BG 300)	6	5310170	PULSANTE PIEZO	PIEZO IGNITER
SAG2 300 T (GSX BG 300)	7	5310310	CAVO ACCENSIONE PIEZO	PIEZO WIRING
SAG2 300 T (GSX BG 300)	8	5310430	CANDELA PIEZO	ELECTRODE
SAG2 300 T (GSX BG 300)	9	5310440	KIT UGELLI PER G30 - G31	LPG INJECTORS KIT / 300T
SAG2 300 T (GSX BG 300)	9	5310450	KIT UGELLI PER G20	NATURAL GAS INJECTORS KIT / 300T
SAG2 300 T (GSX BG 300)	11	5310240	TERMOSTATO FUMI	SMOKE EXHAUST SAFETY THERMOSTAT
SAG2 300 T (GSX BG 300)	12	5310460	VALV. DI RITEGNO E SICUREZZA TARATA	HYDRAULIC SAFETY VALVE
SAG2 300 T (GSX BG 300)	13	5310470	ANODO DI MAGNESIO	MAGNESIUM ANODE
SAG2 300 T (GSX BG 300)	14	5310480	TERMOMETRO	THERMOMETER

SAG2 50 - 80 - 100

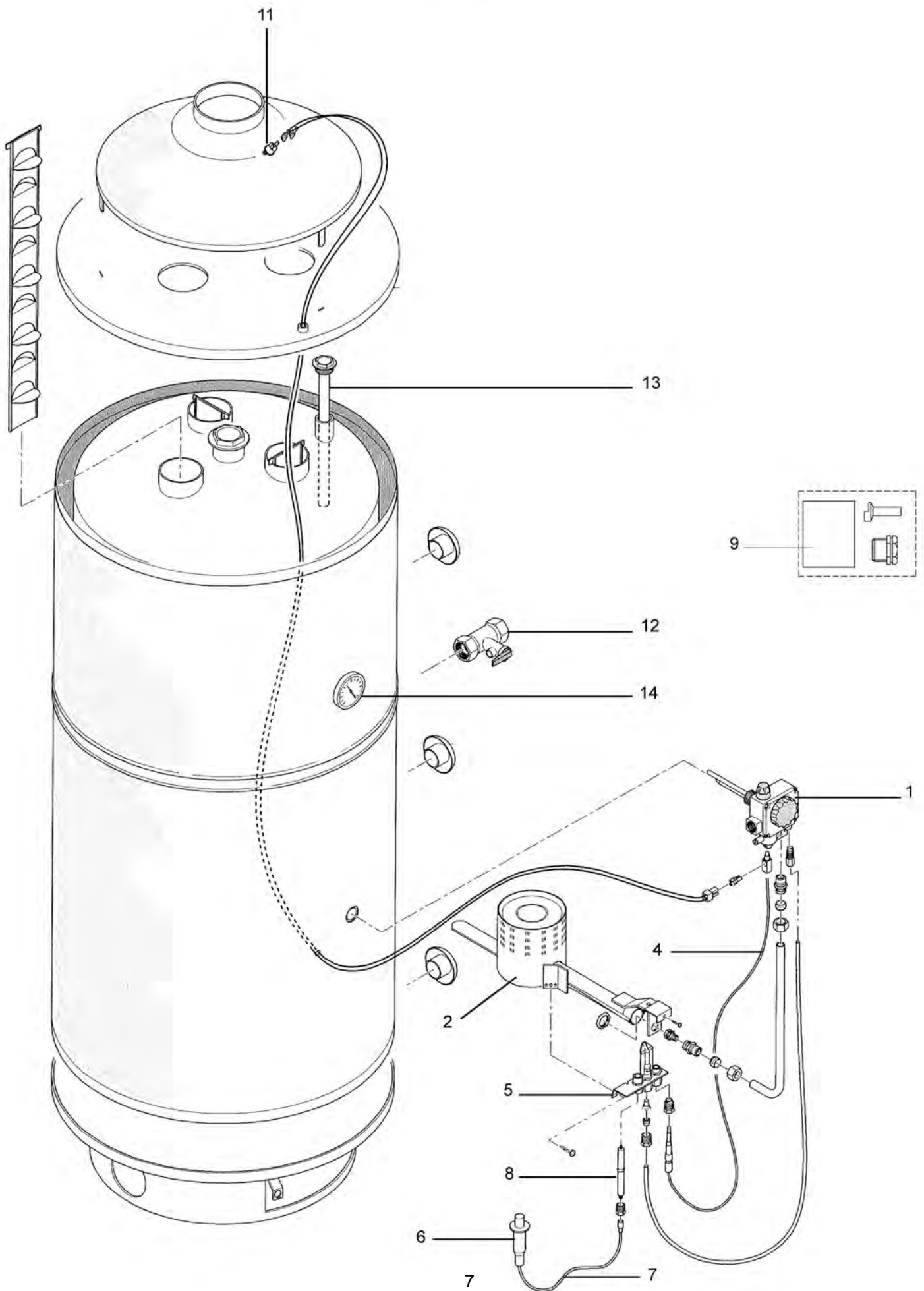


# SAG2 125T - 155T - 195T





# SAG2 300T



**BAXI**

**BAXI S.p.A.**  
**Via Trozzetti, 20**  
**36061 BASSANO DEL GRAPPA (VI)**  
**ITALY**  
**Tel. +390424517111**  
**Telefax +390424517379**  
**E-mail. [service@baxi.it](mailto:service@baxi.it)**