

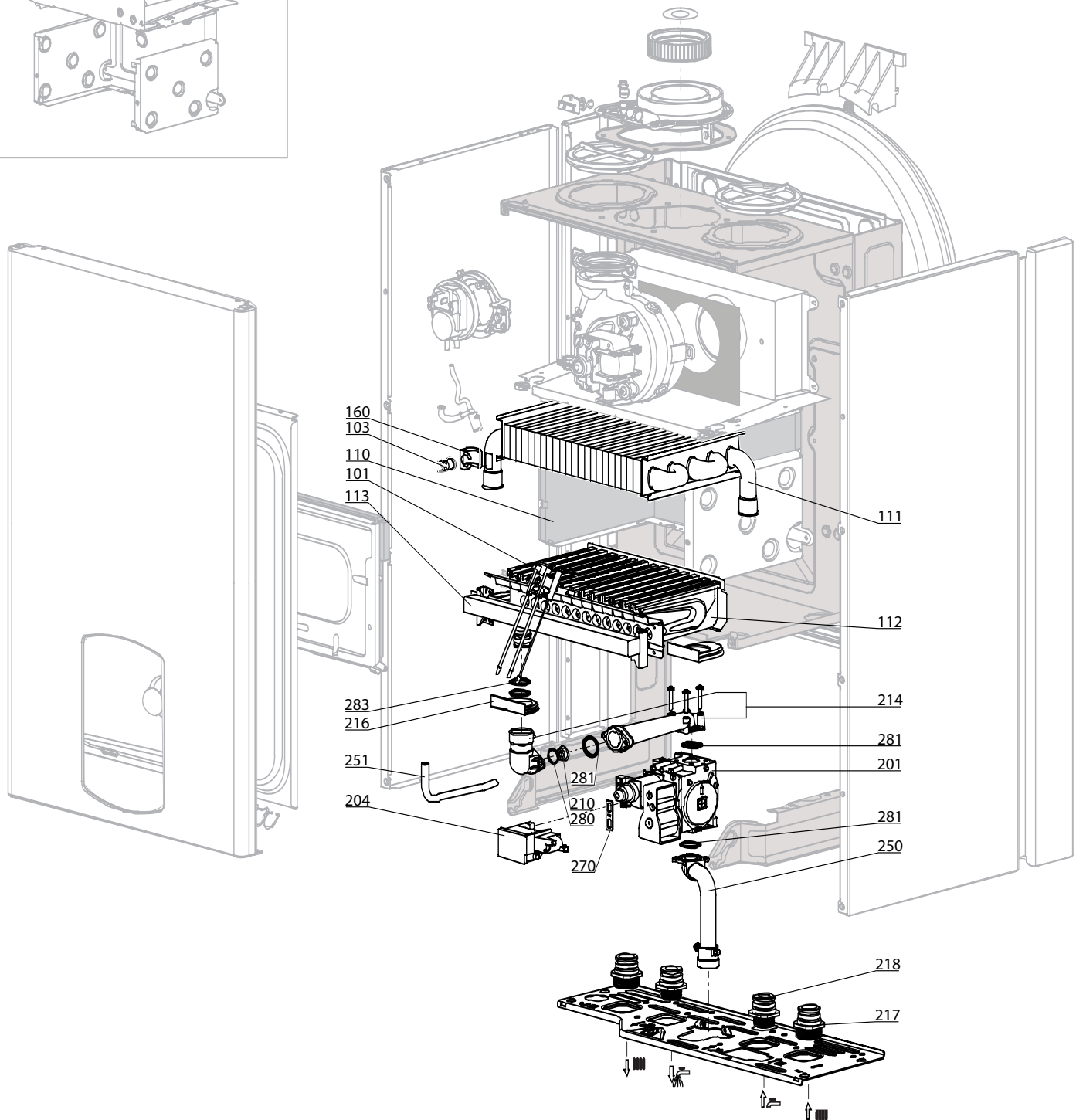
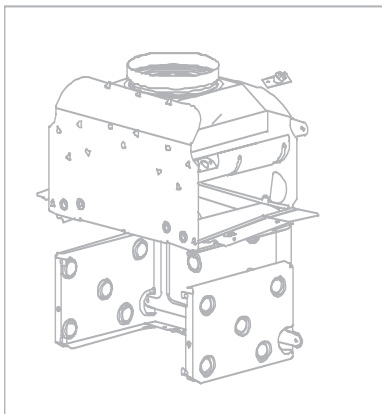
SPARE PARTS EXPLODED VIEW GAS WALL BOILERS

Model

PIGMA - ALIXIA

R8203256-02EN - Edition 02 - 15/11/2010

3650263	PIGMA 25 CF N IT-PI	01/08	09/09	
3650309	PIGMA 25 CF N EAA2	07/08	09/09	
3650224	PIGMA 25 CF N EAA	06/08	09/09	
3310053	PIGMA 25 CF NG	10/09	...	
3650264	PIGMA 25 CF B/P IT-PI	02/08	09/09	
3310054	PIGMA 25 CF LPG	10/09	...	
3650265	PIGMA 25 FF N IT-PI	12/07	09/09	
3650310	PIGMA 25 FF N EAA2	07/08	09/09	
3650225	PIGMA 25 FF N EAA	05/08	09/09	
3310051	PIGMA 25 FF NG	10/09	...	
3650266	PIGMA 25 FF B/P IT-PI	01/08	09/09	
3310056	PIGMA 25 FF LPG	10/09	...	
3650267	PIGMA 30 FF N IT-PI	01/08	09/09	
3650311	PIGMA 30 FF N EAA2	07/08	09/09	
3650226	PIGMA 30 FF N EAA	06/08	09/09	
3310052	PIGMA 30 FF NG	10/09	...	
3650342	PIGMA 30 FF B/P IT-PI	...	09/09	
3310058	PIGMA 30 FF LPG	10/09	...	
3650301	ALIXIA 20 CF N TU	05/08	...	
3650227	ALIXIA 24 CF N PI	01/08	09/09	
3650338	ALIXIA 24 CF N EE	...	09/09	
3310060	ALIXIA 24 CF NG	10/09	...	
3650228	ALIXIA 24 CF B/P IT-PI	01/08	09/09	
3310062	ALIXIA 24 CFLPG	10/09	...	
3650300	ALIXIA 20 FF N TU	05/08	...	
3650229	ALIXIA 24 FF N PI	12/07	09/09	
3650286	ALIXIA 24 FF N EAA	03/08	09/09	
3650337	ALIXIA 24 FF N EE	...	09/09	
3650346	ALIXIA 24 FF NG (GR)	...	09/09	
3310059	ALIXIA 24 FF NG	10/09	...	
3650230	ALIXIA 24 FF B/P IT-PI	01/08	09/09	
3310061	ALIXIA 24 FF LPG	10/09	...	
Reference	Ind.	Model type	Begin	End

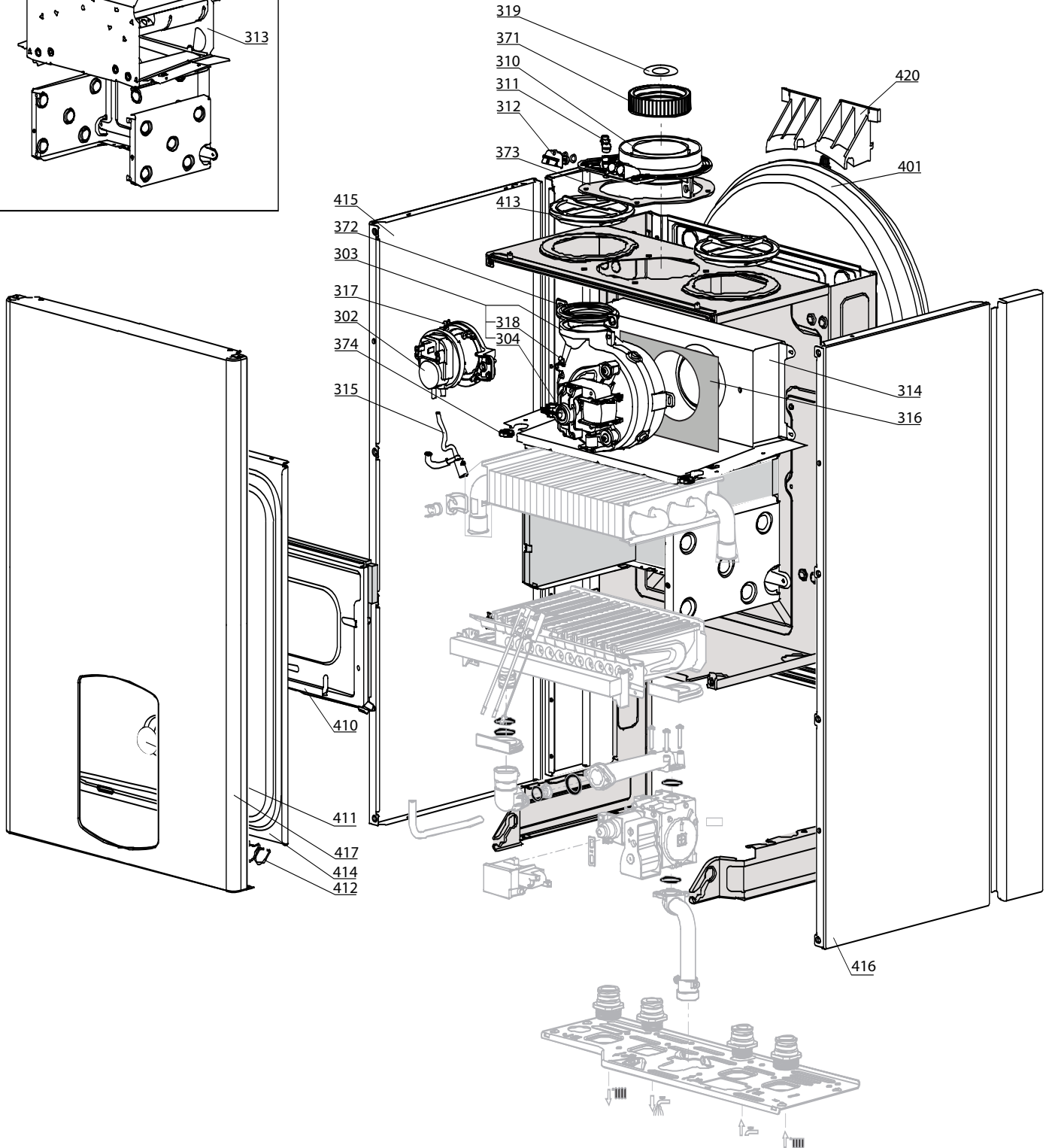
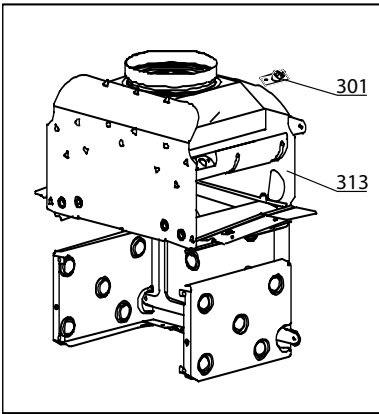


Key N	Description	Manf. Pt. N	Type	PIGMA				ALIXIA				Manf. date	
				CF		FF		CF		FF		from	to
				25	30	20	24	20	24				
0100	BURNER ASSEMBLY												
0101	ELECTRODE (IGNITION/DETECTION)	65104549		•	•	•	•	•	•	•	•		
0103	THERMOSTAT 102Å°	65104500		•	•	•	•	•	•	•	•		
0110	PANELS (KIT)	65104695			•						•		02/08
	PANELS (KIT)	65104695		•		•	•						
	PANELS (KIT)	65106298								•			
	PANELS (KIT)	65106298			•						•		03/08
0111	MAIN EXCHANGER	65104246			•						•		02/08
	MAIN EXCHANGER	65104246				•							
	MAIN EXCHANGER	65104247		•			•	•					
	MAIN EXCHANGER	65106297								•			
	MAIN EXCHANGER	65106297			•						•		03/08
0112	BURNER	65104220			•						•		02/08
	BURNER	65104220		•		•	•	•					
	BURNER	65106294								•			
	BURNER	65106294			•						•		03/08
0113	GAS MANIFOLD	65104223	B/P		•						•		02/08
	GAS MANIFOLD	65104223	B/P	•				•					
	GAS MANIFOLD	65104225	B/P			•							
	GAS MANIFOLD	65106605	B/P		•						•		03/08
	GAS MANIFOLD	65104226	NAT			•							
	GAS MANIFOLD	65104302	NAT		•						•		02/08
	GAS MANIFOLD	65104302	NAT	•			•	•					
	GAS MANIFOLD	65106302	NAT							•			
	GAS MANIFOLD	65106302	NAT		•						•		03/08
0160	CLIP	61010050		•	•	•	•	•	•	•	•		
0200	GAS SECTION												
0201	GAS VALVE	65104254		•	•	•	•	•	•	•	•		
0204	SPARK GENERATOR	65104653		•	•	•	•	•	•	•	•		
0210	RESTRICTOR D: 6.3	60000018	NAT					•					
	RESTRICTOR D: 6.4	60000501	NAT							•			
0214	PIPE (GAS VALVE/BURNER)	65104230		•	•	•	•	•	•	•	•		
0216	GROMMET	60000624		•	•	•	•	•	•	•	•		
0217	UNION (3/4)	65104326		•	•	•	•	•	•	•	•		
0218	UNION (1/2)	65104327		•	•	•	•	•	•	•	•		
0250	GAS TUBE	60000720		•	•	•	•	•	•	•	•		
0251	SILICONE PIPE	65104296			•	•					•	•	
0270	GASKET (SPARK GENERATOR)	574279		•	•	•	•	•	•	•	•		
0280	O-RING D: 14-2.00	60000903	NAT					•		•			
0281	O-RING 22,22X2,62	65104304		•	•	•	•	•	•	•	•		
0283	O-RING 17,17X1,78	65104303		•	•	•	•	•	•	•	•		

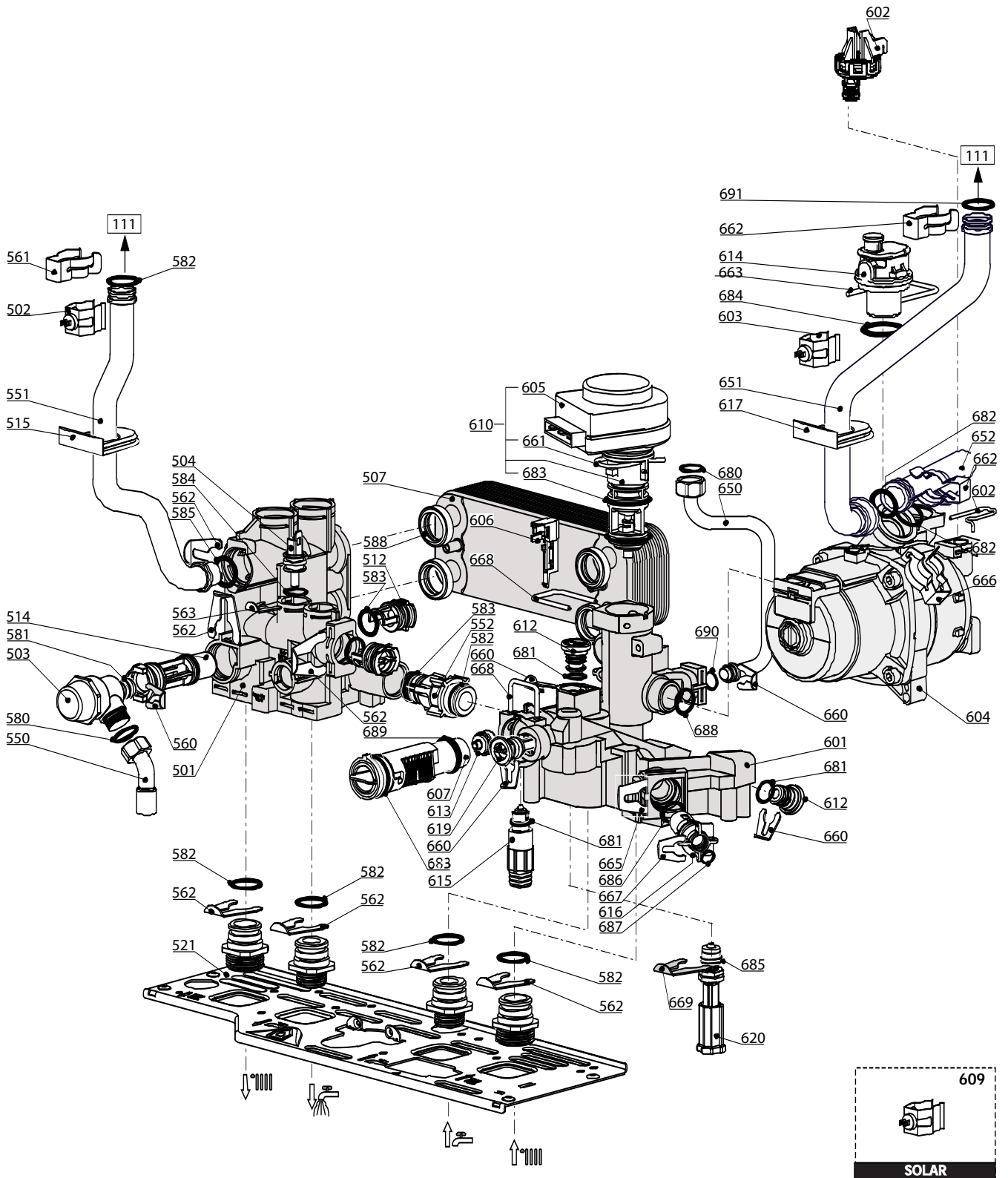
300
400

PIGMA - ALIXIA

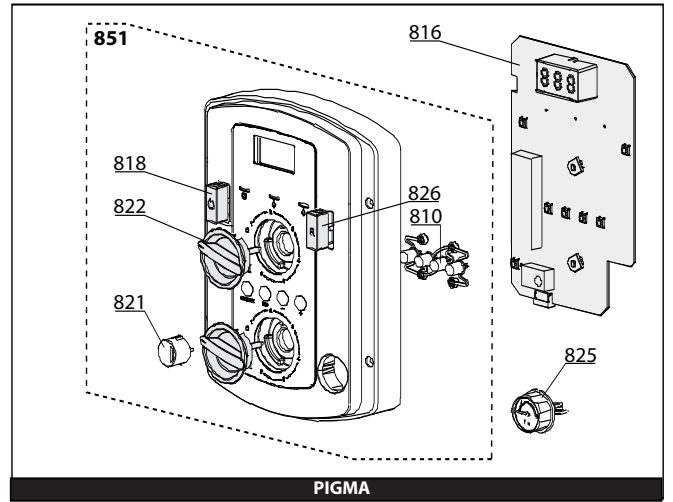
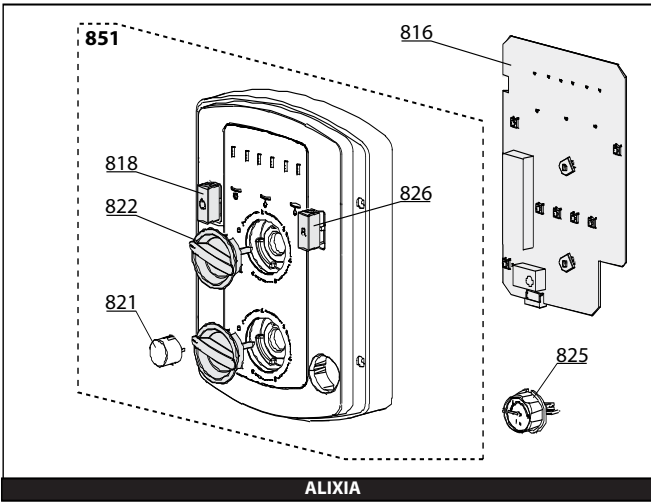
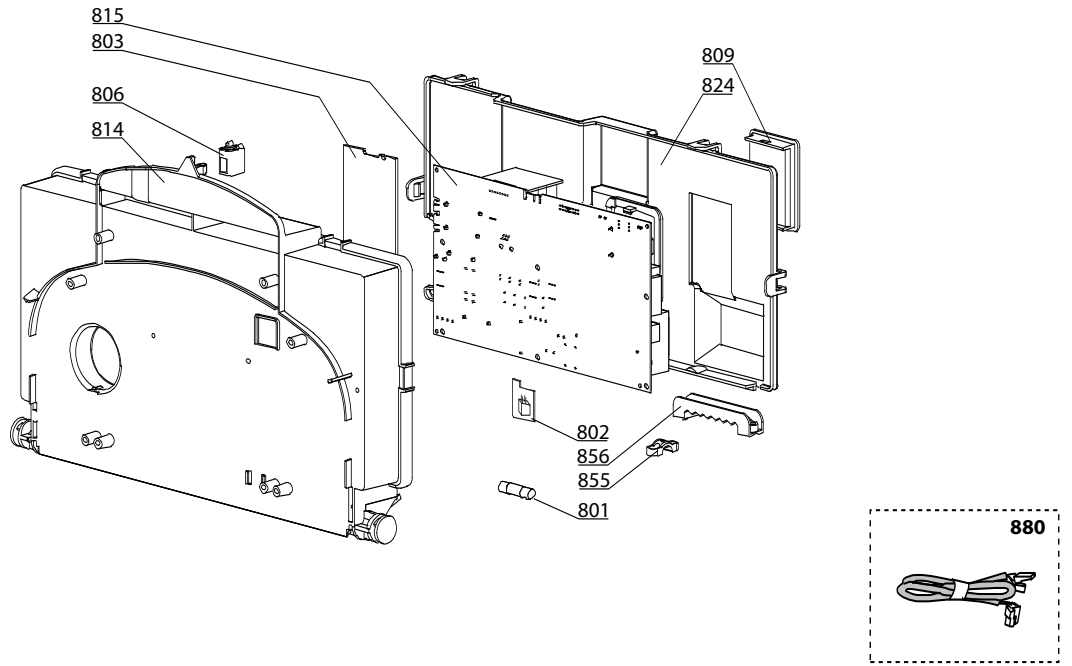
Domestic Gas Boilers



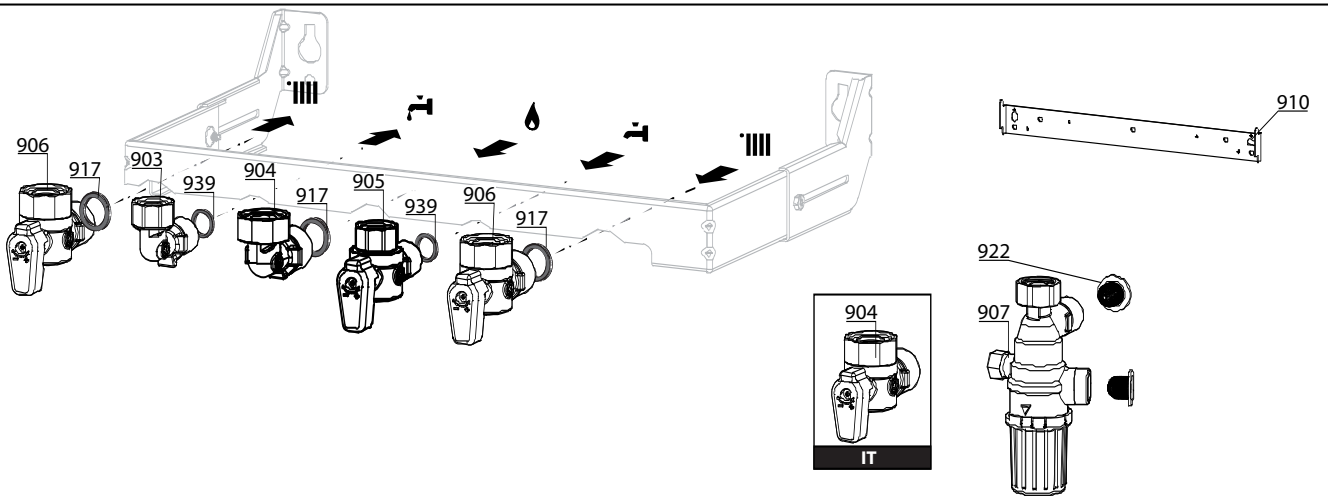
Key N	Description	Manf. Pt. N	Type	PIGMA				ALIXIA				Manf. date	
				CF		FF		CF		FF		from	to
				25	25	30	20	24	20	24			
0300	FAN ASSEMBLY												
0301	THERMOSTAT 75-65Å°C	999539		•			•	•					
0302	AIR PRESSURE SWITCH	65104671			•				•	•			
	AIR PRESSURE SWITCH	65104672				•							
0303	FAN	65104357			•				•	•			
	FAN	65104452				•							
0310	FLUE (EXHAUST MANIFOLD / HEADER)	65105393			•	•			•	•			
0311	AIR INTAKE COVER	573329			•	•			•	•			
0312	FLUE INTAKE PLUG	65104295			•	•			•	•			
0313	COMBUSTION CHAMBER	65104218		•			•	•					
0314	COMBUSTION CHAMBER	65104219			•					•			02/08
	COMBUSTION CHAMBER	65104219				•							
	COMBUSTION CHAMBER	65106295							•				
	COMBUSTION CHAMBER	65106295			•					•			03/08
0315	CONDENSATE TRAP	65104623			•	•			•	•			
0316	PANEL (INSULATION - FAN)	65104305			•	•			•	•			
0317	SUPPORT (AIR PRESSURE SWITCH)	65104378			•	•			•	•			
0318	VENTURI 30FF	65106515				•							
	VENTURI 15/25FF	65106516			•				•	•			
0319	RESTRICTOR (D=44)	65105078			•	•				•			
0371	COLLAR GASKET	65104258			•	•			•	•			
0372	FAN GASKET	65104257			•	•			•	•			
0373	GASKET	60000317			•	•			•	•			
0374	CABLE INLET RUBBER WASHER	60000716		•	•	•	•	•	•	•			
0400	SEALED CASE												
0401	EXPANSION VESSEL	65104261		•	•	•	•	•	•	•			
0410	PANEL (COMBUSTION CHAMBER)	65104240			•					•			02/08
	PANEL (COMBUSTION CHAMBER)	65104240		•		•	•	•					
	PANEL (COMBUSTION CHAMBER)	65106296							•				
	PANEL (COMBUSTION CHAMBER)	65106296			•					•			03/08
0411	SIGHT GLASS	65104232			•	•			•	•			
0412	SPRING FRONT PANEL (KIT)	65104298			•	•			•	•			
0413	AIR RETURN COVER	65104249			•	•			•	•			
0414	PANEL (FRONT - SEALED CHAMBER)	65105678			•	•			•	•			
0415	CASE PANEL (L.H. SIDE)	65105676		•	•	•	•	•	•	•			
0416	CASE PANEL (R.H. SIDE)	65105677		•	•	•	•	•	•	•			
0417	CASE PANEL (FRONT)	60000983		•	•	•	•	•	•	•			
0420	EXPANSION VESSEL SUPPORT	65104696		•	•	•	•	•	•	•			



Key N	Description	Manf. Pt. N	Type	PIGMA				ALIXIA				Manf. date		
				CF	FF	CF	FF	CF	FF	CF	FF	from	to	
				25	25	30	20	24	20	24	20	24		
0500	FLOW GROUP													
0501	FLOW GROUP	60000844		●	●	●	●	●	●					
0502	TEMPERATURE PROBE + CLIP	990686		●	●	●	●	●	●					
0503	PRESSURE RELIEF VALVE 3 BAR	61312668		●	●	●	●	●	●					
0507	WATER / WATER HEAT EXCHANGER 16	65104333		●	●	●	●	●	●					
0512	PLUG	65104445		●	●	●	●	●	●					
0514	BY-PASS	65104336		●	●	●	●	●	●					
0515	GROMMET	60000808		●	●	●	●	●	●					
0521	HYDRAULIC GROUP SUPPORT	60001375		●	●	●	●	●	●					
0550	PIPE (SAFETY VALVE)	65104447		●	●	●	●	●	●					
0551	HEATING FLOW TUBE	60000991		●					●					02/08
	HEATING FLOW TUBE	60000991		●		●	●	●						
	HEATING FLOW TUBE	60001133							●					
	HEATING FLOW TUBE	60001133			●				●				03/08	
0552	BY-PASS PIPE	65104340		●	●	●	●	●	●					
0560	CLIP D:10	65104260		●	●	●	●	●	●					
0561	CLIP	61307589		●	●	●	●	●	●					
0562	CLIP D=18	65104259		●	●	●	●	●	●					
0580	SHEET GASKET D: 13.9-10.4-1.5	60061853-02		●	●	●	●	●	●					
0581	O - RING (15.88X2.62)	65104337		●	●	●	●	●	●					
0582	O-RING D: 17.86-2.62	61308091		●	●	●	●	●	●					
0583	O - RING (15.54X2.62)	65104325		●	●	●	●	●	●					
0585	O-RING 3,53X17,04	65104262		●	●	●	●	●	●					
0588	LIP SEAL	61002249		●	●	●	●	●	●					
0600	RETURN GROUP													
0601	RETURN GROUP	60000845		●	●	●	●	●	●					
0602	LOW PRESSURE SWITCH	65105090			●	●			●	●				
0603	TEMPERATURE PROBE + CLIP	990686		●	●	●	●	●	●					
0604	PUMP 5M 1V	60000876				●								
	PUMP 4M 1V	60001584		●	●		●	●	●					
0605	MOTOR - THREE-WAY VALVE	61302483-01		●	●	●	●	●	●					
0606	SENSOR (REED)	65104323		●	●	●	●	●	●					
0607	FLOW METER	60000870		●	●	●	●	●	●					
0609	TEMPERATURE PROBE + CLIP	65105079		●	●	●		●	●					
0610	MOTOR + SPRING 3 WAY VALVE KIT	60001583		●	●	●	●	●	●					
0612	PLUG	65104377		●	●	●	●	●	●					
0613	RIDUCTORS (KIT)	65104318		●	●	●	●	●	●					
0614	AUTO AIR VENT WITH O-RING	65104703		●	●	●	●	●	●					
0615	KIT DRAIN SCREW	60001385		●	●	●	●	●	●					
0616	WATER FILTER	60001372		●	●	●	●	●	●					
0617	GROMMET	60000807		●	●	●	●	●	●					
0619	PLUG	65104377		●	●	●	●	●	●					
0620	FILLING TAP KIT	65104324		●	●	●	●	●	●					
0650	PIPE (EXPANSION VESSEL)	60000718		●	●	●	●	●	●					
0651	HEATING RETURN TUBE	60000723			●				●					02/08
	HEATING RETURN TUBE	60000723		●		●	●	●						
	HEATING RETURN TUBE	60001132							●					
	HEATING RETURN TUBE	60001132			●				●				03/08	
0652	HEATING RETURN TUBE	60000992		●	●	●	●	●	●					
0660	CLIP D:10	65104260		●	●	●	●	●	●					
0661	CLIP	65104332		●	●	●	●	●	●					
0662	CLIP	61307589		●	●	●	●	●	●					
0663	U-CLIP	65104704		●	●	●	●	●	●					
0664	CLIP	65104322			●	●			●	●				
0665	CLIP	65104331		●	●	●	●	●	●					
0666	CLIP	60000309		●	●	●	●	●	●					
0667	CLIP	65100680		●	●	●	●	●	●					
0668	CLIP	65104316		●	●	●	●	●	●					
0669	CLIP	65104339		●	●	●	●	●	●					
0680	GASKET 3/8	573521		●	●	●	●	●	●					
0681	O - RING (9.19X2.62)	65104313		●	●	●	●	●	●					
0682	O-RING 3,53X17,04	65104262		●	●	●	●	●	●					
0683	O - RING (23.47X2.62)	65104315		●	●	●	●	●	●					
0684	O-RING	65104705		●	●	●	●	●	●					
0685	O - RING (1.78X8.74)	65104329		●	●	●	●	●	●					
0686	O - RING (15.54X2.62)	65104325		●	●	●	●	●	●					
0687	O RING D: 5.7-1.9	61009834-10		●	●	●	●	●	●					
0688	O - RING (21.89X2.62)	65104320		●	●	●	●	●	●					
0689	O-RING 17,17X1,78	65104303		●	●	●	●	●	●					
0690	O-RING D: 8.9-2.7	61009834-14		●	●	●	●	●	●					
0691	O-RING D: 17.86-2.62	61308091		●	●	●	●	●	●					



900



5000

<p>5001</p> <p>Transf. gaz > GPL Conv. gas > GPL Trasn. gas > GPL Transf. gas > GPL</p>	<p>5002</p> <p>Transf. gaz > Nat Conv. gas > Nat Trasn. gas > Met Transf. gas > Met</p>	<p>5020</p> <p>Options Accessories Opzioni Accessorio</p>
---	---	---

Key N	Description	Manf. Pt. N	Type	PIGMA				ALIXIA				Manf. date	
				CF		FF		CF		FF		from	to
				25	25	30	20	24	20	24			
0800	ELECTRICAL BOX												
0801	FUSE 250V 2A - TEMPORIZED	61003456		●	●	●	●	●	●				
0802	MODULE KIT (EEPROM)	65105148		●	●	●							
0803	P.C.B (CLIP-IN) E-BUS	65109108		●	●	●	●	●	●				
0806	PUSH	65104228		●	●	●	●	●	●				
0809	INSPECTION COVER	65104294		●	●	●	●	●	●				
0810	PUSH BUTTON	60000978		●	●	●							
0814	CONTROL PANEL	65104300		●	●	●	●	●	●				
0815	SCHEDA PRINCIPALE	65105818-01					●	●	●				
	P.C.B. (MAIN)	65109313-02		●	●	●							
0816	PRINTED CIRCUIT BOARD (DISPLAY)	60000817-01		●	●	●							
	PRINTED CIRCUIT BOARD (DISPLAY)	60001125					●	●	●				
0818	PUSH BUTTON ON/OFF	60000836		●	●	●	●	●	●				
0821	PUSH BUTTON	60000835		●	●	●							
	HOLE PLATE	60001004					●	●	●				
0822	KNOB	60001003		●	●	●	●	●	●				
0824	CONTROL PANEL COVER (REAR)	65104293		●	●	●	●	●	●				
0825	PRESSURE GAUGE	60000725		●	●	●	●	●	●				
0826	BUTTON (RESET)	60000806		●	●	●	●	●	●				
0851	FRONT CONTROL PANEL COMPLETE	60000833		●	●	●							
	FRONT CONTROL PANEL COMPLETE	60001002					●	●	●				
0855	CABLE CLAMP	571562		●	●	●	●	●	●				
0856	CABLE CLAMP	65103377		●	●	●	●	●	●				
0880	EARTH WIRE	65104286		●	●	●	●	●	●				
	DISPLAY WIRING	60000746	/ CN02	●	●	●	●	●	●				
	NTC - PRES. SENSOR - GAS VALVE CABLE	60000840	/ CN04	●	●	●	●	●	●				
	IONIZATION ELECTRODE CABLE	65104518	/ CN05	●	●	●	●	●	●				
	THREE WAY VALVE CABLE	65104523	/ CN09	●	●	●	●	●	●				
	PUMP 1V CABLE	65105081	/ CN10	●	●	●	●	●	●				
	FAN CABLE	65107270	/ CN10		●	●			●	●			
	CLIP-IN E-BUS WIRING	65105169	/ CN11	●	●	●	●	●	●				
	FLOW METER CABLE	60000813	/ CN14	●	●	●	●	●	●				
	SOLAR SENSOR CABLE	60001374	/ CN17	●	●	●		●					
	FEEDER 240V	60000993	/ CN20	●	●	●	●	●	●				
	NTC - OVERHEAT THER. - PRES SWITCH CABLE	60000814	/ CN22		●	●			●	●			
	NTC PROBE - OVERHEAT THERMOSTAT CABLE	65104708	/ CN22	●			●	●					
	ROOM THERMOSTAT CABLE	60000988	/ CN25	●	●	●	●	●	●				
0900	JIG PLATE & PIPE FITTING												
0903	HOT WATER CONNECTION	60000891		●	●	●	●	●	●				
0904	GAS SERVICE TAP	60000898		●	●	●	●	●	●				
	UNION	65105631		●	●	●	●	●	●				
0905	COLD WATER TAP	60000895		●	●	●	●	●	●				
0906	WATER FLOW & RETURN SERVI. TAP	60000885		●	●	●	●	●	●				
0907	THERMOSTATIC MIXING VALVE	60001081		●	●	●	●	●	●				
0910	WALL HOOK	60000625		●	●	●	●	●	●				
0917	SHEET GASKET D: 24-17-1.5	60061855-19		●	●	●	●	●	●				
0922	FILTER	60001087		●	●	●	●	●	●				
0939	SHEET GASKET D: 16.5-11-1.5	60061854-14		●	●	●	●	●	●				
5000	ACCESSORIES												
5001	BURNER JET FULL KIT (LPG)	65104582				●							
	BURNER JET FULL KIT (LPG)	65106690		●	●		●	●	●				
5002	BURNER JET FULL KIT (NG)	65104583				●							
	BURNER JET FULL KIT (NG)	65106691		●	●		●	●	●				
5020	ROD PLATE	60000999		●	●	●	●	●	●				

LIST OF THE ABBREVIATIONS

HW	: Hot water.
CW	: Cold water.
C	: Ceramic resistance (normal heating).
Ca	: Ceramic resistance (accelerated heating)
TP	: Immersion heater.
1F	: With fittings.
2F	: Without fittings.
3F	: With fittings and another outlet connection.
AMI	: With mixing valve.
SMI	: Without mixing valve.
PUISS	: Power of th appliance.
PN	: Appliance with normal pression.
LP	: Appliance with low pression.
PV	: Appliance with variable power.
PF	: Appliance with fixed power..

IDENTIFICATION PLATE

SERIAL NUMBER

11 Characters :	1 95 065004 - 31	
Month of manufacture :	_____	Technical number of the appliance
from 1 to 9 → Jan. to Sep.,	_____	Sequential number
O → Oct., N → Nov.,	_____	Year of manufacture
D → Dec.	_____	
19 Characters :	08 05 0013199 900640031	
Year of manufacture	_____	Product reference
Month of manufacture	_____	Sequential number
20 Characters :	3675007 XX 2 07 070 00315	
Product reference	_____	Sequential number
Millenium of manufacture	_____	Manufacturing day
	_____	Year of manufacture
21 Characters :	3675007 XX 07 070 0000315	
Product reference	_____	Sequential number
Year of manufacture	_____	Manufacturing day

The indications mentionned on the prices, commercial or technical literature and the scheme are written for your guidance and are available at a given time. The CONSTRUCTOR retains the power to modify the presentation, the form, the size, the conception or the material of the products.