

0020109717\_02 GB 07/2011

■ Controls

- VR 61
- VR 68
- VRT 370
- VRT 392
- VRT 392f
- VRC 400
- VRC 410s
- VRC 430
- VRC 430f
- VRC 470
- VRS 560
- VRC 630



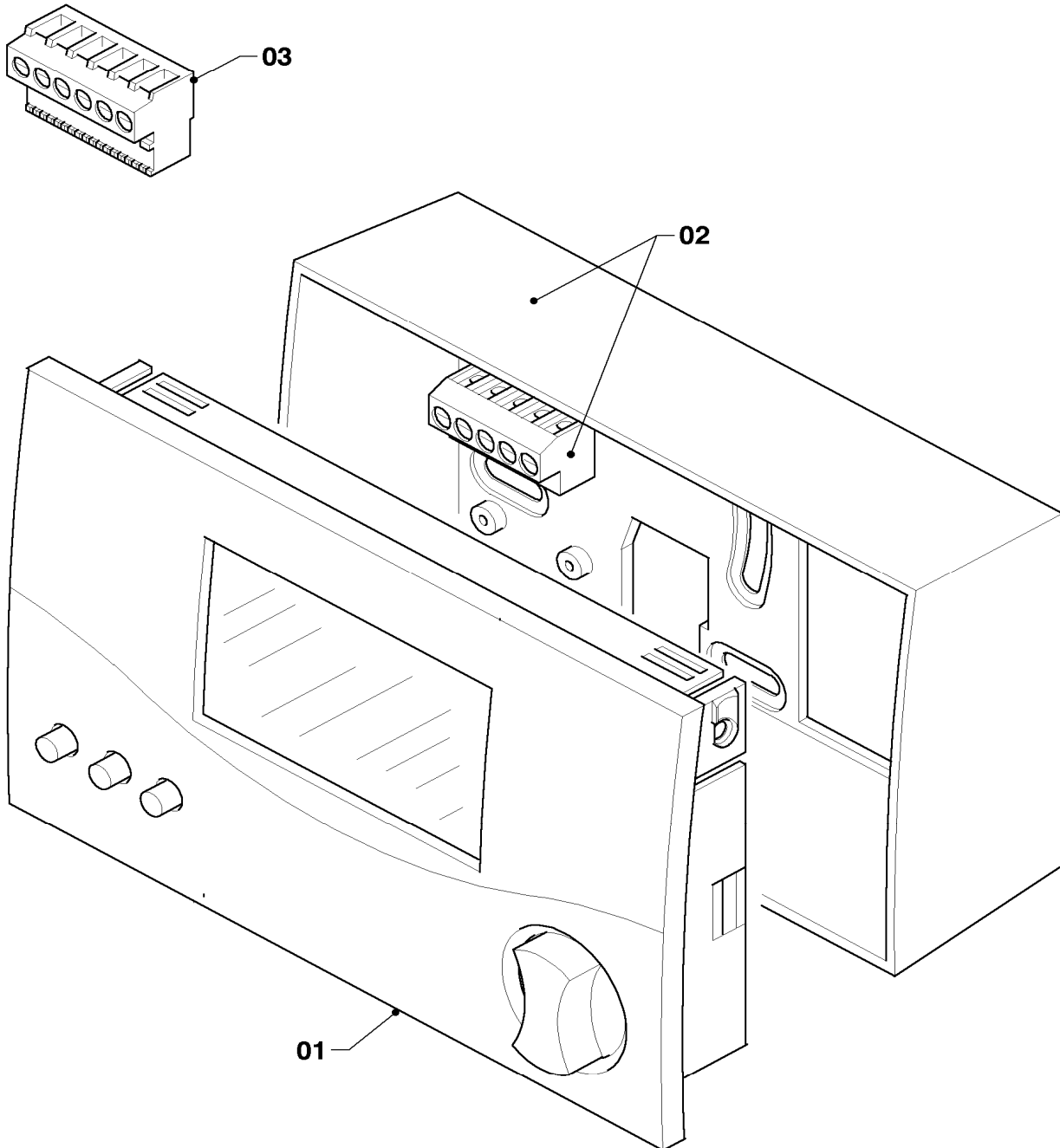
# Content

<b>Controls</b>	VRC 400	Page 2
	VRC 410s	Page 4
	VRT 392, VRT 392f, VRC 430, VRC 430f	Page 6
	VRT 370 VRC 470	Page 8
	VR 61	Page 10
	VR 68	Page 12
	VRS 560	Page 14
	VRC 630	Page 16
<b>Notes</b>		Page 18

In order to maintain the safe and efficient operation of this appliance, only genuine Vaillant spare parts must be used.

# 12 Controls

VRC 400



70 - 00 - 517

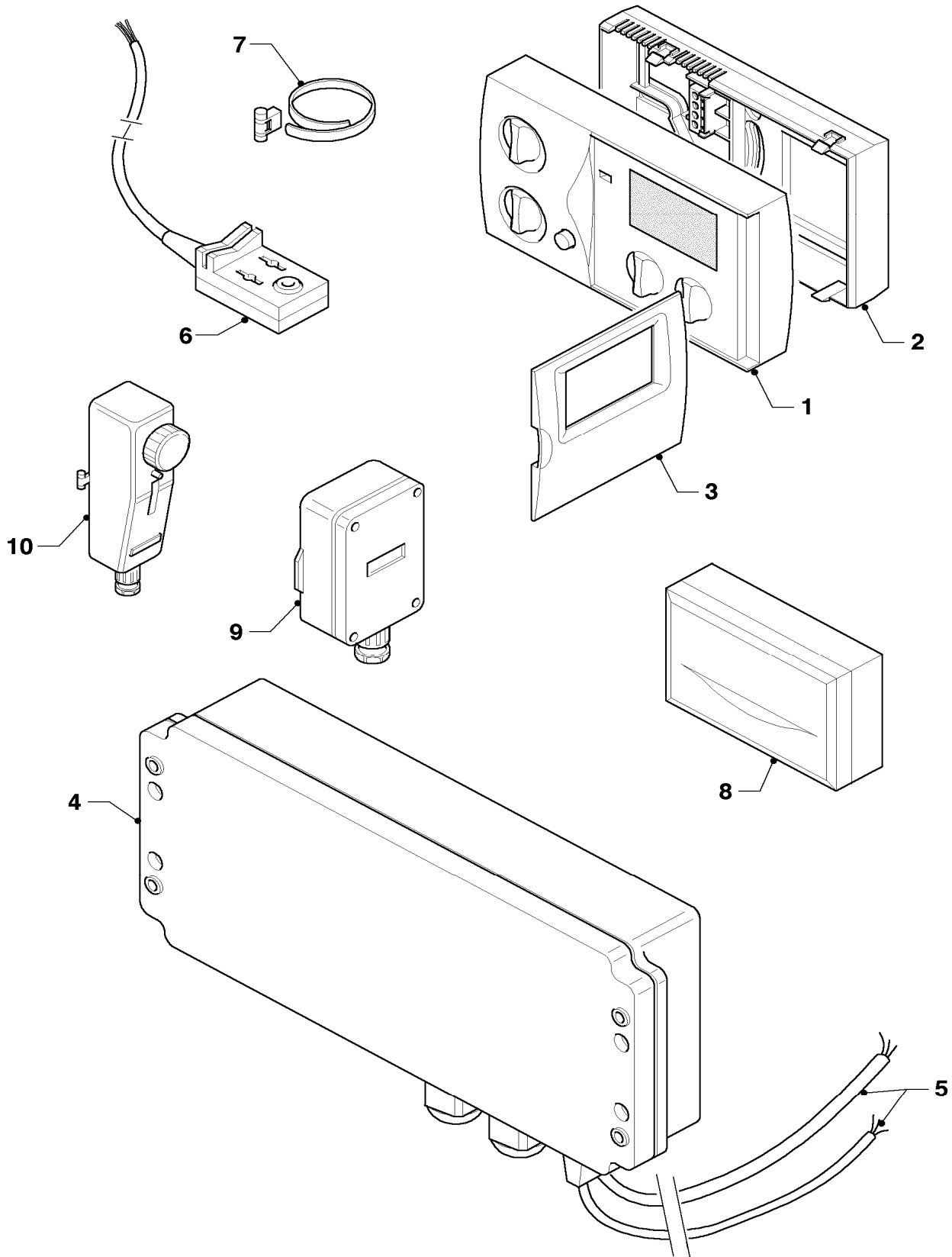
## 12 Controls

VRC 400

Pos.	Art.-No	Part	Type, note
		7000517	
01	0020032374	Control	
02	0020032375	Socket	
03	252629	Plug	

# 12 Controls

VRC 410s



70 - 00 - 513

## 12 Controls

VRC 410s

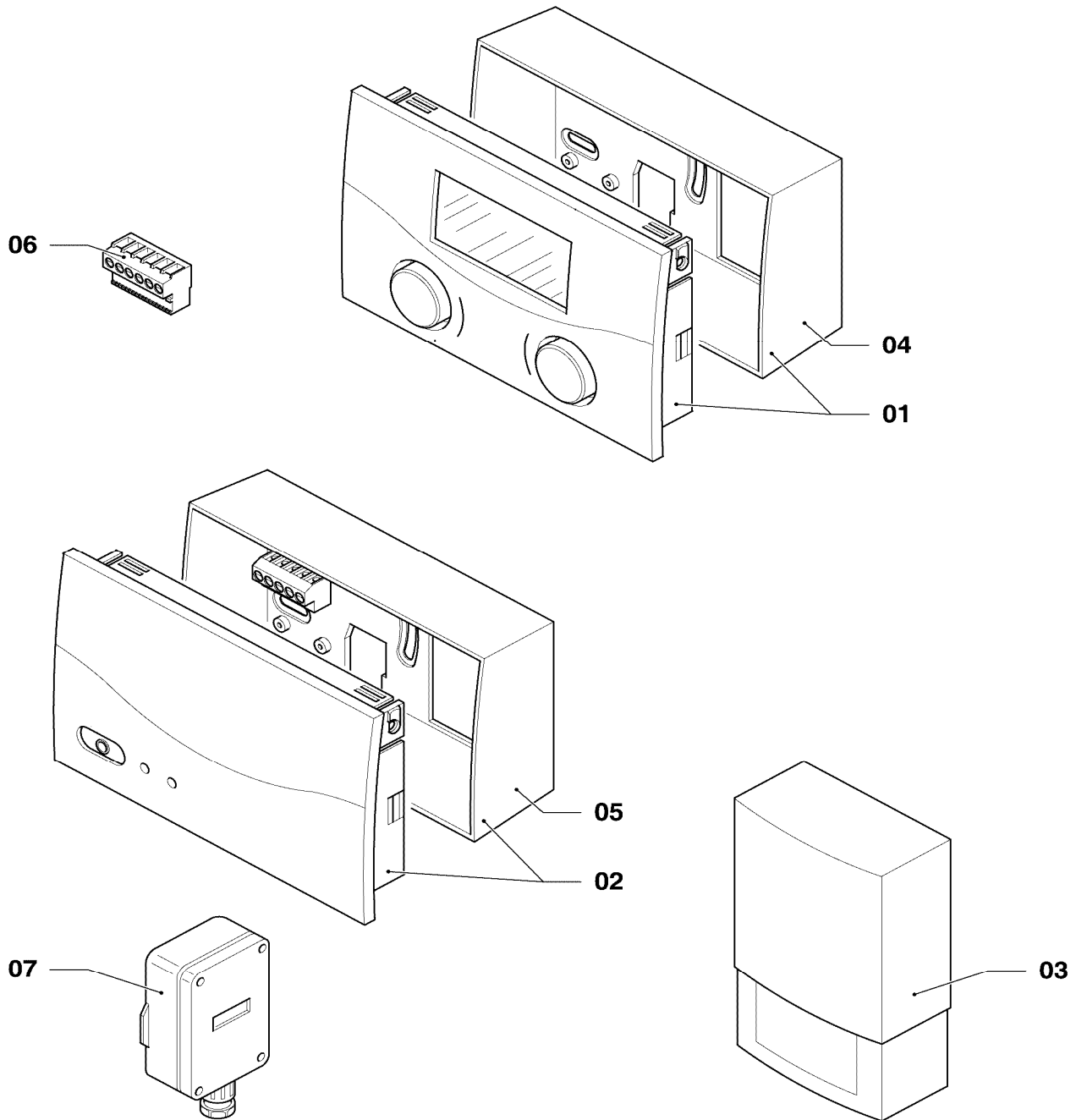
Pos.	Art.-No	Part	Type, note
		7000513	
01	253004	Control, VRC 410s	
01	252628	Plug (PK5)	5-pole (external sensor), not shown
02	299517	Socket	
03	209844	Cover	
04	-	-	not for UK
05	-	-	not for UK
06	-	-	not for UK
07	-	-	not for UK
08	009535	VRC-DCF	accessory, cannot be delivered as spare part
09	000693	External sensor	accessory, cannot be delivered as spare part
10	-	-	not for UK

Subject to alteration !

Attention: Please take the gross price from the valid price list !

## 12 Controls

VRT 392, VRT 392f, VRC 430, VRC 430f



70-00-521



## 12 Controls

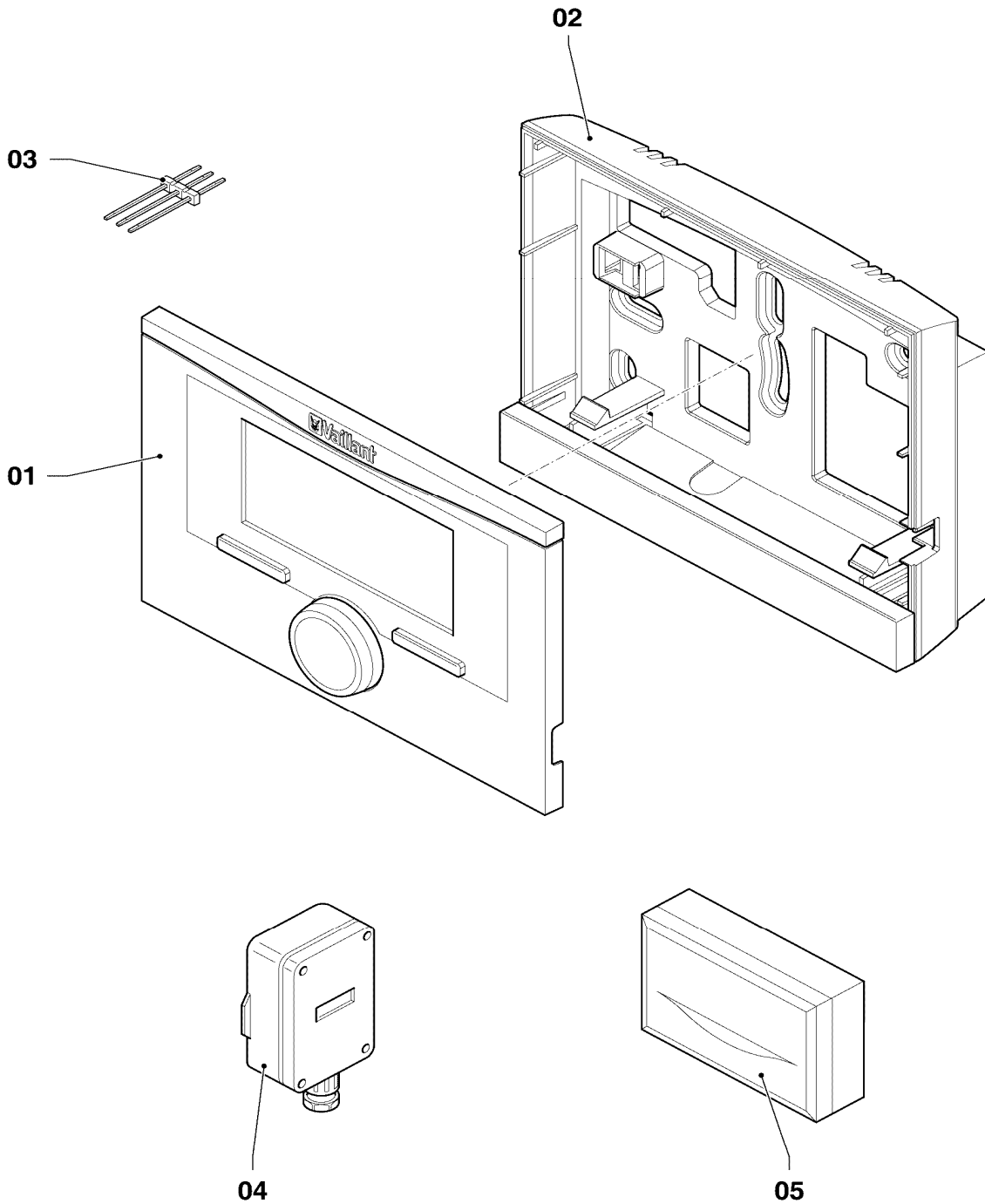
VRT 392, VRT 392f, VRC 430, VRC 430f

Pos.	Art.-No	Part	Type, note
		7000521	
01	0020028509	Control, VRT 392	accessory, cannot be delivered as spare part
01	0020107194	Control, VRT 392f	with part 04
01	0020107195	Control, VRC 430	with part 04
01	0020107196	Control, VRC 430f	with part 04
02	0020058642	Base station VRT 392f, VRC 430f	with part 05
03	0020028537	Sensor, VR 20 (VRC 430f)	
04	0020063282	Socket VRT 392	including terminal strip, white
04	0020051305	Socket VRC 430	including terminal strip, white
04	0020058638	Socket VRT 392f, VRC 430f	
05	0020058639	Socket, base station VRT 392f, VRC 430f	including terminal strip, white
06	252629	Plug	VRC 430, 430f
07	000693	External sensor	VRC 430, 430f, accessory, cannot be delivered as spare part

Subject to alteration !

Attention: Please take the gross price from the valid price list !

**12 Controls**  
VRT 370, VRC 470



70-00-522

## 12 Controls

VRT 370, VRC 470

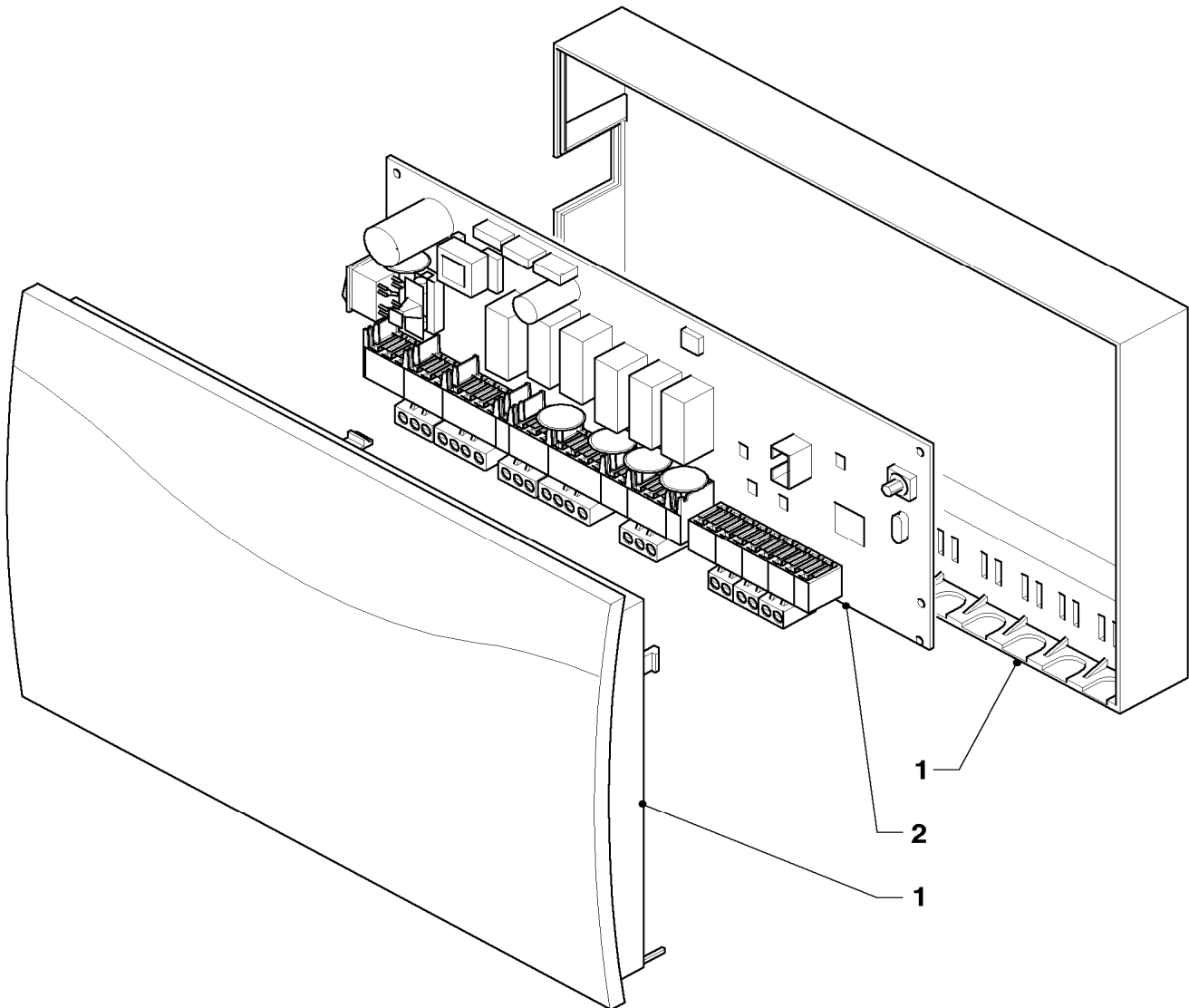
Pos.	Art.-No	Part	Type, note
		7000522	
01	0020108144	VRT 370	accessory, cannot be delivered as spare part
01	0020112593	Control, VRC 470	
02	0020112596	Support, back panel VRT 370, VRC 470	
03	0020128529	Plug (3pin connector)	
04	000693	External sensor	accessory, cannot be delivered as spare part
05	0009535	VRC-DCF	accessory, cannot be delivered as spare part

Subject to alteration !

Attention: Please take the gross price from the valid price list !

## 12 Controls

VR 61, VR 61/2



05 - 12 - 003

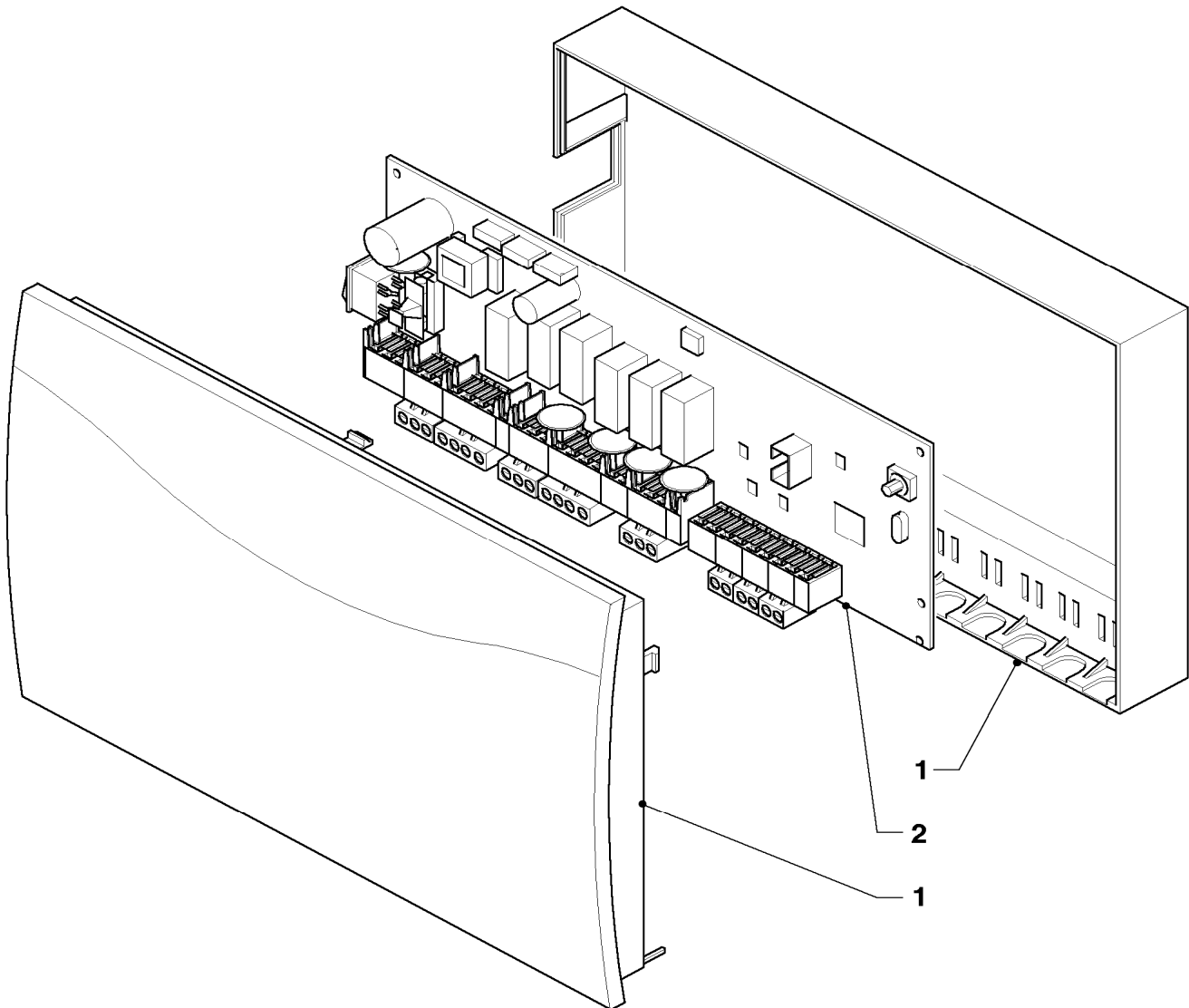
## 12 Controls

VR 61, VR 61/2

Pos.	Art.-No	Part	Type, note
		0512003	
01	0020051404	Casing	VR 61
02	0020051403	Printed circuit board	VR 61
02	0020130195	Printed circuit board	VR 61/2

## 12 Controls

VR 68, VR 68/2



05 - 12 - 003

## 12 Controls

VR 68, VR 68/2

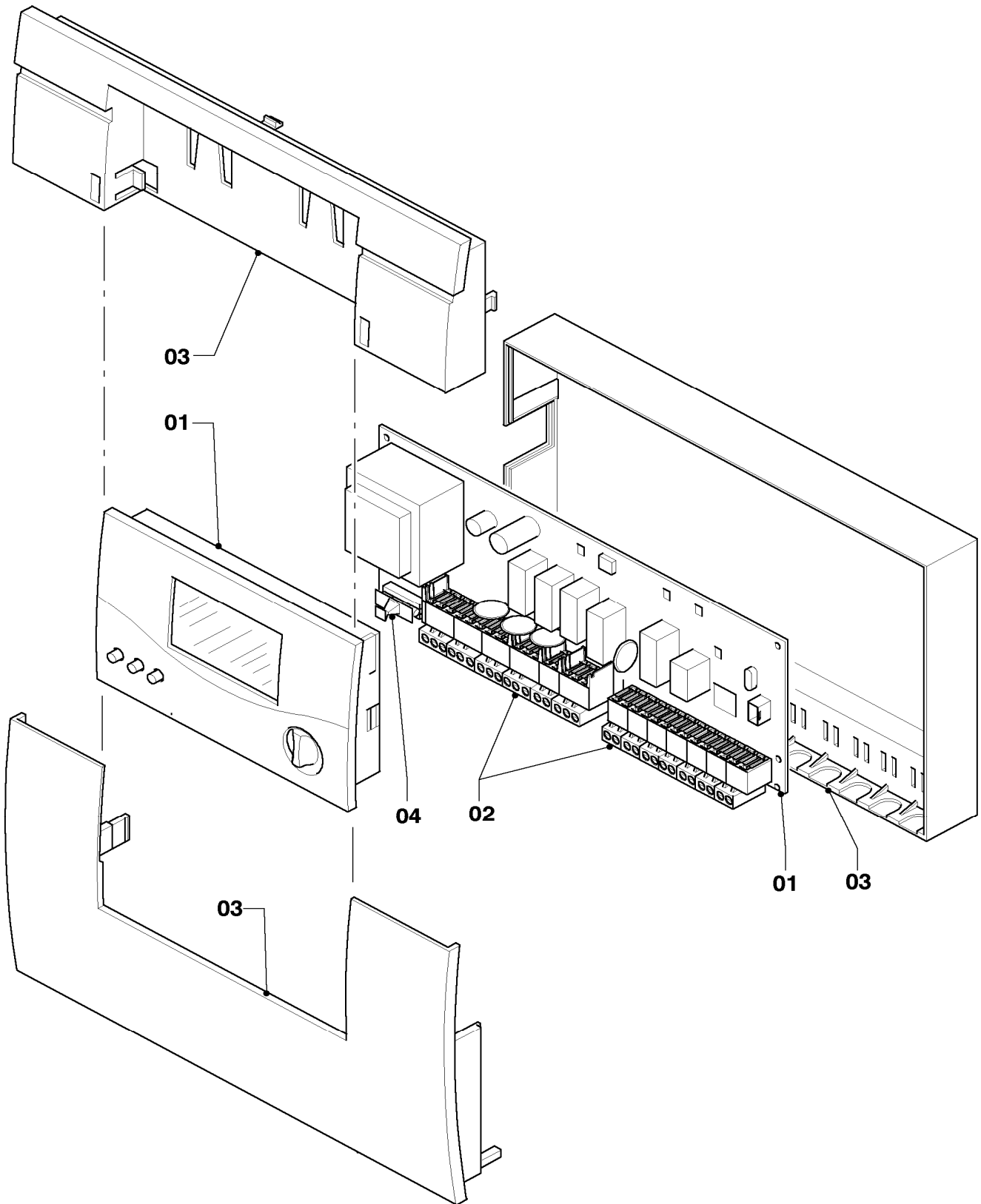
Pos.	Art.-No	Part	Type, note
		0512003	
01	0020051406	Casing	VR 68
02	0020051405	Printed circuit board	VR 68
02	0020130196	Printed circuit board	VR 68/2

Subject to alteration !

Attention: Please take the gross price from the valid price list !

# 12 Controls

VRS 560, VRS 560/2



70 - 00 - 514.01



## 12 Controls

VRS 560, VRS 560/2

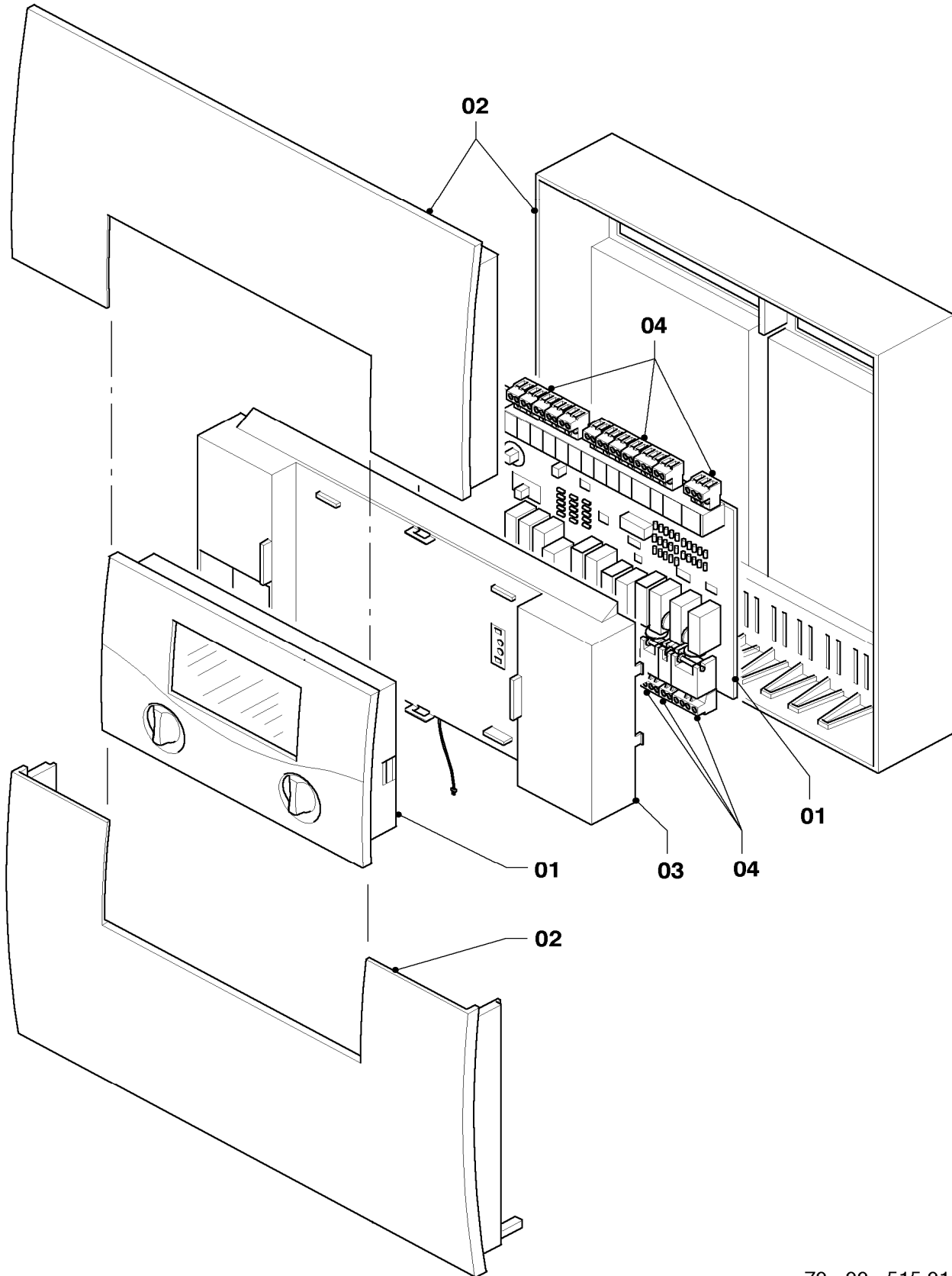
Pos.	Art.-No	Part	Type, note
		7000514	
00	306787	Temperature sensor VR 10	accessory, cannot be delivered as spare part (not shown)
00	306788	Collector sensor VR 11	accessory, cannot be delivered as spare part (not shown)
00	089419	Connection line	(not shown)
01	0020032365	Printed circuit (set)	
02	110760	Cable connector (set)	
03	110759	Casing	
04	251957	Fuse T4H (PK10)	

Subject to alteration !

Attention: Please take the gross price from the valid price list !

# 12 Controls

VRC 630/2, VRC 630/3



70 - 00 - 515.01

## 12 Controls

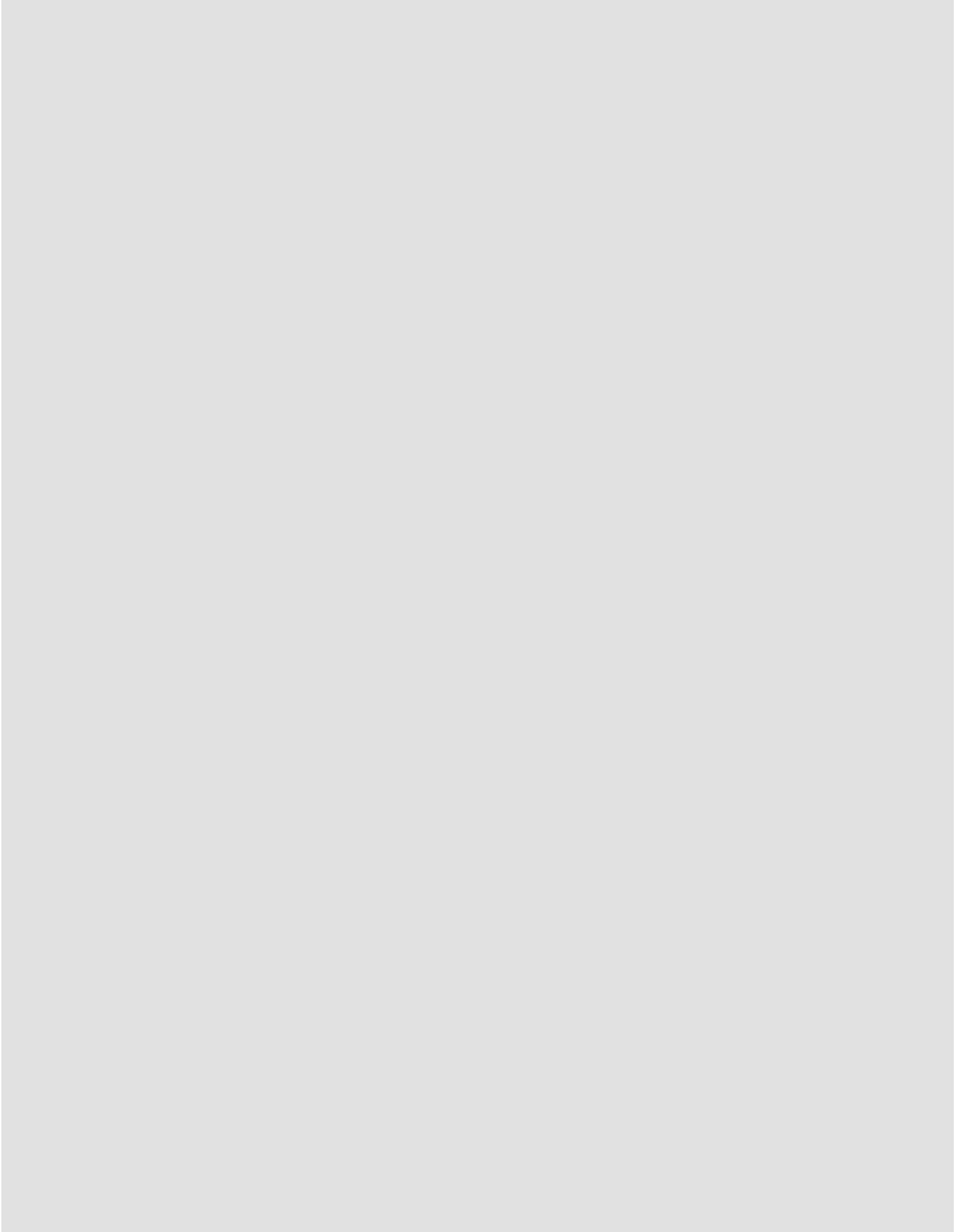
VRC 630/2, VRC 630/3

Pos.	Art.-No	Part	Type, note
		7000515	
00	0020051296	Connection line (7-8-9)	not shown
00	0020051297	Connection line (230V)	not shown
00	251917	Fuse T 6.3 D	not shown
01	0020051303	Printed circuit board (set)	VRC 630, VRC 630/2
01	0020076590	Printed circuit board (set)	VRC 630/3
02	0020051298	Casing	
03	295308	Casing	
04	256516	Cable connector (set)	

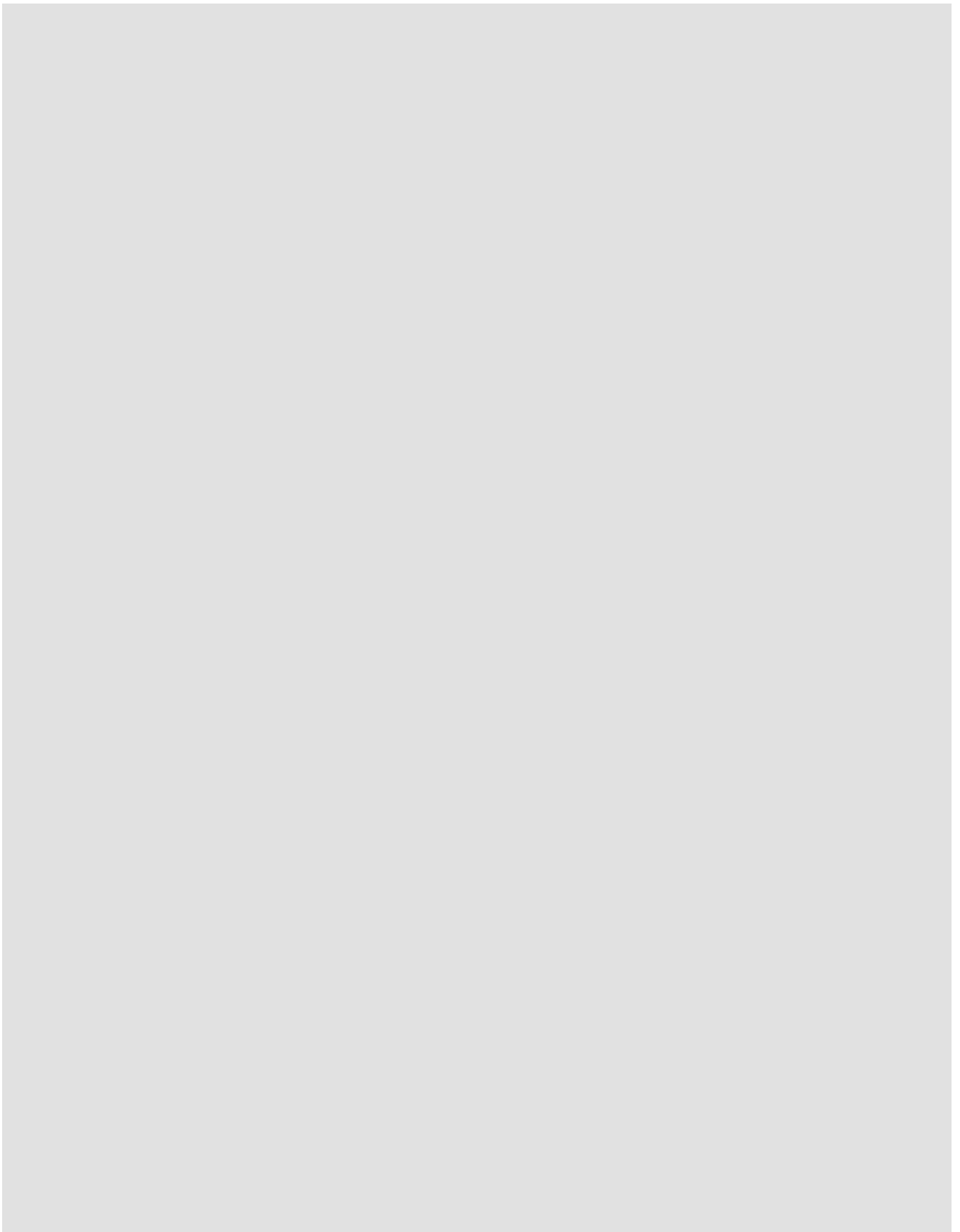
Subject to alteration !

Attention: Please take the gross price from the valid price list !

## Notes



## Notes



## Notes

