

# Spare parts catalogue

0020010871.05 GB 11/2008



Wall-hung boilers ecoTEC pro 24, 28

VUW 246/3-3 R1  
VUW 246/3-3 R2  
VUW 286/3-3  
VUW 286/3-3 R1  
VUW 286/3-3 R2





# Content

|   |   |         |
|---|---|---------|
| <b>General view of sheet</b>            | ecoTEC pro 24 VUW 246/3-3 R1<br>ecoTEC pro 24 VUW 246/3-3 R2<br>ecoTEC pro 28 VUW 286/3-3<br>ecoTEC pro 28 VUW 286/3-3 R1<br>ecoTEC pro 28 VUW 286/3-3 R2 | Page 3  |
| <b>04 Burner</b>                        |   | Page 4  |
| <b>06 Heat exchanger</b>                |   | Page 6  |
| <b>07 Casing parts</b>                  |   | Page 8  |
| <b>08 Connection parts (Hydroblock)</b> |   | Page 10 |
| <b>08a Connection parts</b>             |   | Page 14 |
| <b>08b Connection parts (Acc.)</b>      |   | Page 16 |
| <b>12 Control box</b>                   |   | Page 18 |
| <b>Notes</b>                            |   | Page 20 |

In order to maintain the safe and efficient operation of this appliance, only genuine Vaillant spare parts must be used.

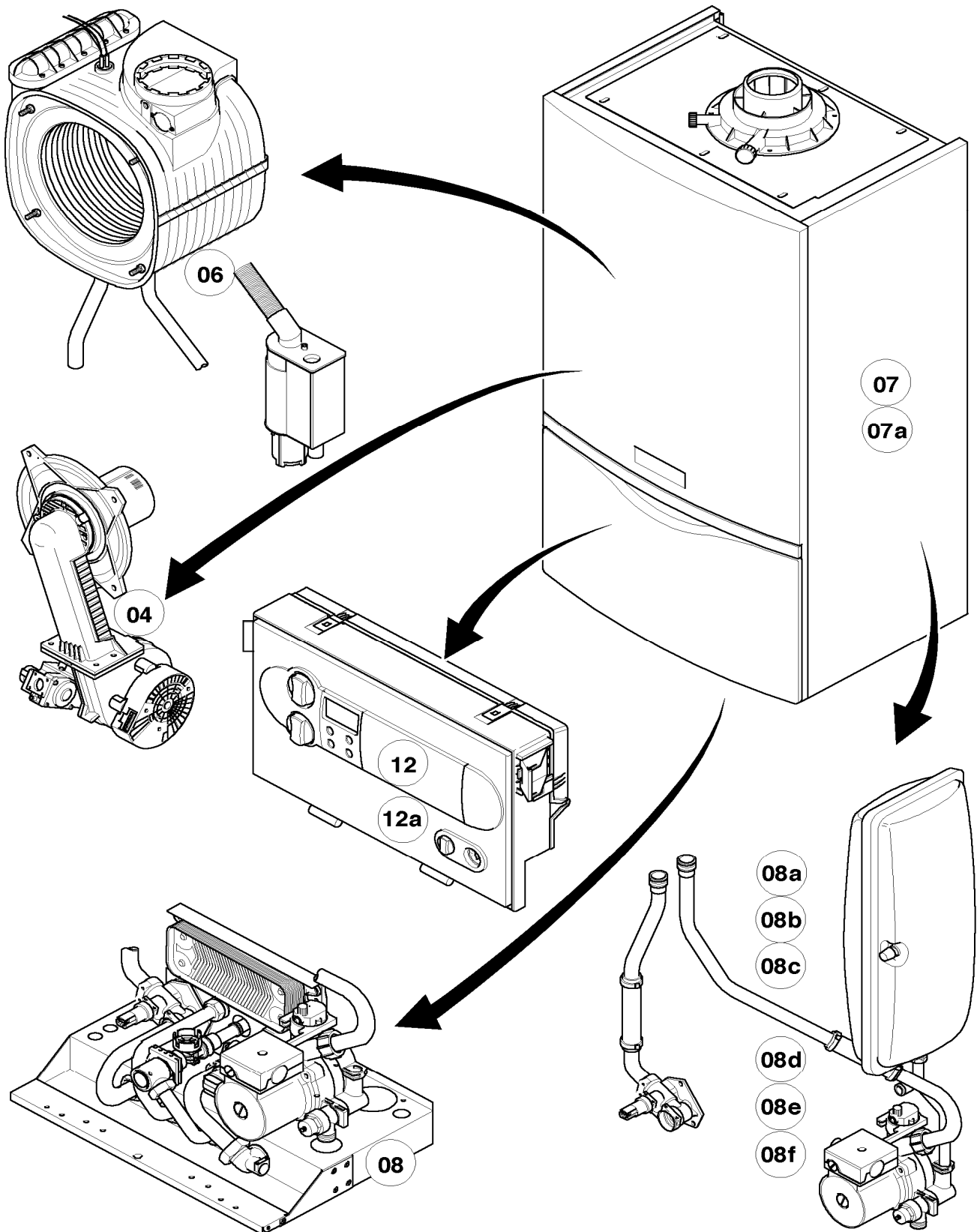


## General view of sheet

ecoTEC pro 24 VUW 246/3-3 R1, R2

ecoTEC pro 28 VUW 286/3-3

ecoTEC pro 28 VUW 286/3-3 R1, R2



02 - 00 - 077.04

Subject to alteration !

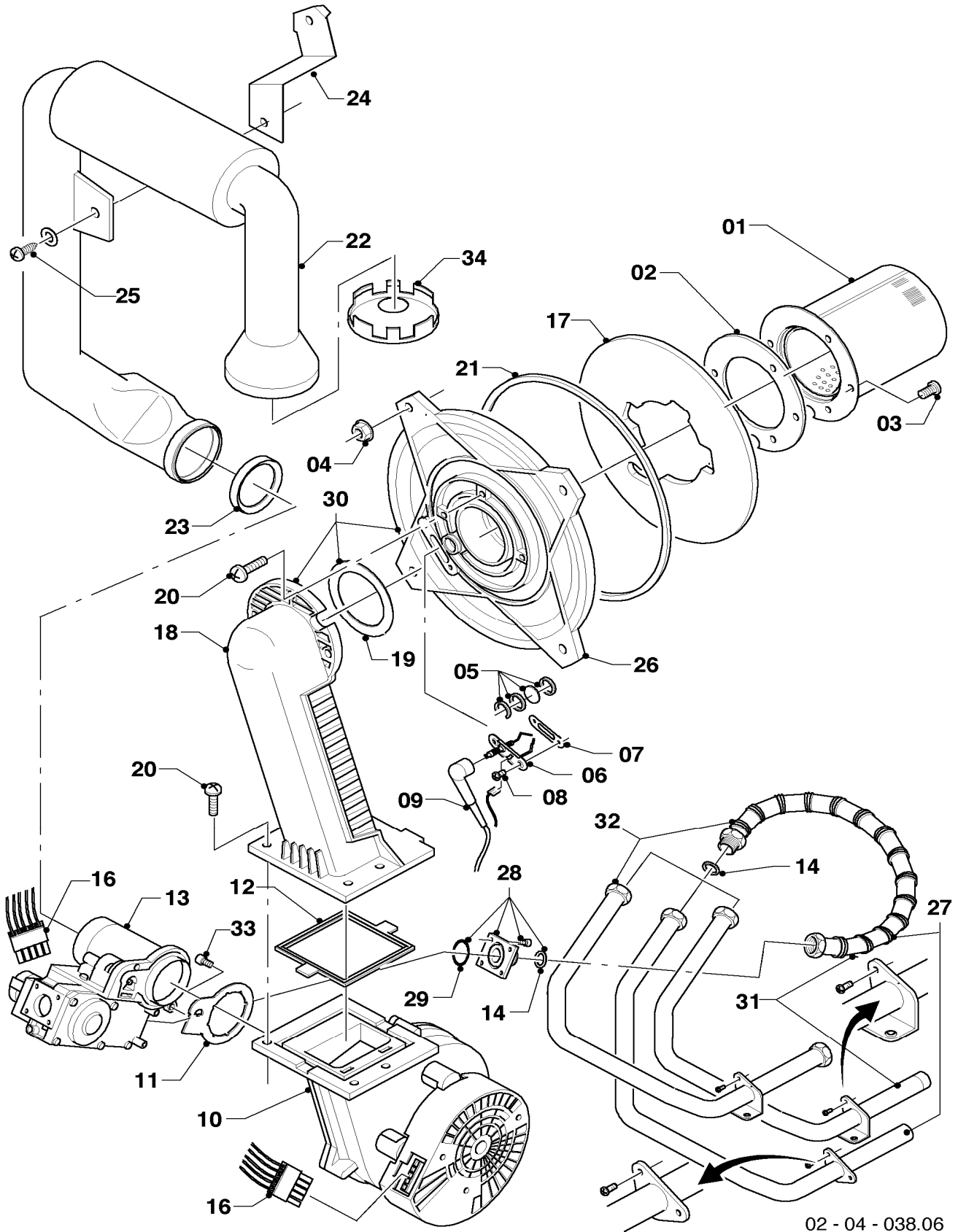
Attention: Please take the gross price from the valid price list !

## 04 Burner

ecoTEC pro 24 VUW 246/3-3 R1, R2

ecoTEC pro 28 VUW 286/3-3

ecoTEC pro 28 VUW 286/3-3 R1, R2



02 - 04 - 038.06

## 04 Burner

ecoTEC pro 24 VUW 246/3-3 R1, R2

ecoTEC pro 28 VUW 286/3-3

ecoTEC pro 28 VUW 286/3-3 R1, R2

| Pos. | Art.-No    | Part                          | Type, note  |
|------|------------|-------------------------------|---|
|      |            | 02-04-038                     |   |
| 00   | 0020010641 | Conversion set                | H -> P (not shown)                                      |
| 00   | 0020010642 | Conversion set                | P -> H (not shown)                                      |
| 01   | 049324     | Burner                        | VUW 246/3-3 R1, with parts 02, 03                       |
| 01   | 049324     | Burner                        | VUW 246/3-3 R2, with parts 02, 03                       |
| 01   | 049345     | Burner                        | VUW 286/3-3, with parts 02, 03                          |
| 01   | 049345     | Burner                        | VUW 286/3-3 R1, with parts 02, 03                       |
| 01   | 049345     | Burner                        | VUW 286/3-3 R2, with parts 02, 03                       |
| 02   | 981103     | Sealing ring                  |   |
| 03   | 105900     | Screw (PK10)                  |   |
| 04   | 0020026537 | Nut M6 (PK5)                  |   |
| 05   | 161245     | Inspection glass              |   |
| 06   | 090709     | Ignition/monitoring electrode | with parts 07, 08                                       |
| 07   | 980961     | Gasket electrode              |   |
| 08   | 118883     | Flat head screw ISO 7045      |   |
| 09   | 193590     | Ignition cable                |   |
| 10   | 193593     | Fan                           | with parts 11, 12                                       |
| 11   | 981104     | Gasket                        |   |
| 12   | 193594     | Packing ring                  |   |
| 13   | 053470     | Gas section                   | VUW 246/3-3 R1, with parts 11, 14, 29                   |
| 13   | 053470     | Gas section                   | VUW 246/3-3 R2, with parts 11, 14, 29                   |
| 13   | 053471     | Gas section                   | VUW 286/3-3, with parts 11, 14, 29                      |
| 13   | 053471     | Gas section                   | VUW 286/3-3 R1, with parts 11, 14, 29                   |
| 13   | 053471     | Gas section                   | VUW 286/3-3 R2, with parts 11, 14, 29                   |
| 14   | 981142     | Washer (PK10)                 |   |
| 15   | -          | -                             | no longer available, replacement see pos. 27            |
| 16   | 193586     | Harness                       |   |
| 17   | 193595     | Insulation                    | with parts 02, 03                                       |
| 18   | -          | -                             | not available as spare part, see pos. 30                |
| 19   | 981107     | Packing ring                  |   |
| 20   | 193597     | Screw (PK10)                  |   |
| 21   | 0020038679 | Sealing gasket                |   |
| 22   | 193599     | Air inlet duct                | VUW 246/3-3 R1, with part 23                            |
| 22   | 193599     | Air inlet duct                | VUW 246/3-3 R2, with part 23                            |
| 22   | 103404     | Air inlet duct                | VUW 286/3-3, with part 23                               |
| 22   | 103404     | Air inlet duct                | VUW 286/3-3 R1, with part 23                            |
| 22   | 103404     | Air inlet duct                | VUW 286/3-3 R2, with part 23                            |
| 23   | 981111     | Packing ring                  |   |
| 24   | 103405     | Support                       |   |
| 25   | 235756     | Tapping screw (ST 4,8x19)     |   |
| 26   | -          | -                             | not available as spare part, see pos. 30                |
| 27   | 180945     | Gas pipe                      | VUW 286/3-3, with part 28                               |
| 27   | 180945     | Gas pipe                      | VUW 286/3-3 R1, until 01/07 (with part 28)              |
| 28   | 0020010868 | Adaptor piece (gas valve)     |   |
| 29   | 982319     | O-ring                        |   |
| 30   | 0020010867 | Flange (set)                  | with parts 02 - 05, 07, 08, 12, 14, 17 - 19, 20, 21, 26 |
| 31   | 0020046863 | Gas pipe                      | VUW 246/3-3 R1, with part 28                            |
| 31   | 0020046863 | Gas pipe                      | VUW 246/3-3 R2, with part 28                            |
| 31   | 0020046863 | Gas pipe                      | VUW 286/3-3 R1, from 02/07 (with part 28)               |
| 31   | 0020046863 | Gas pipe                      | VUW 286/3-3 R2, with part 28                            |
| 32   | -          | -                             | not necessary   |
| 33   | 509685     | Screw (PK10)                  |   |
| 34   | -          | -                             | not necessary   |

Subject to alteration !

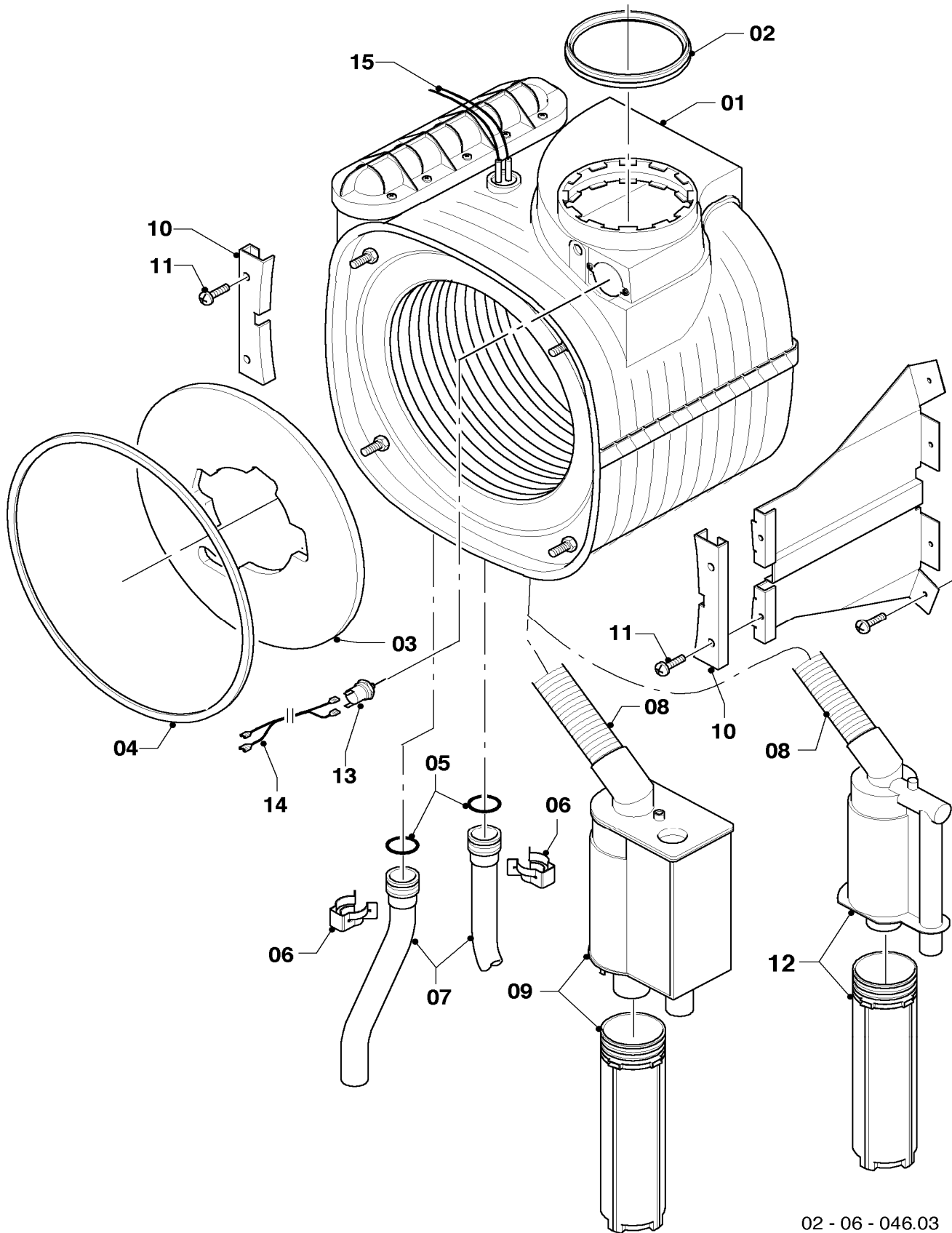
Attention: Please take the gross price from the valid price list !

## 06 Heat exchanger

ecoTEC pro 24 VUW 246/3-3 R1, R2

ecoTEC pro 28 VUW 286/3-3

ecoTEC pro 28 VUW 286/3-3 R1, R2



02 - 06 - 046.03



## 06 Heat exchanger

ecoTEC pro 24 VUW 246/3-3 R1, R2

ecoTEC pro 28 VUW 286/3-3

ecoTEC pro 28 VUW 286/3-3 R1, R2

| Pos. | Art.-No    | Part                 | Type, note                                    |
|------|------------|----------------------|---|
|      |            | 02-06-046            |   |
| 01   | 0020018181 | Heat exchanger       | VUW 246/3-3 R1, with parts 02, 03, 04, 05, 06 |
| 01   | 0020018181 | Heat exchanger       | VUW 246/3-3 R2, with parts 02, 03, 04, 05, 06 |
| 01   | 103411     | Heat exchanger       | VUW 286/3-3, with parts 02, 03, 04, 05, 06    |
| 01   | 0020018182 | Heat exchanger       | VUW 286/3-3 R1, with parts 02, 03, 04, 05, 06 |
| 01   | 0020018182 | Heat exchanger       | VUW 286/3-3 R2, with parts 02, 03, 04, 05, 06 |
| 01   | 210779     | Insulation           | for heat exchanger, not shown                 |
| 02   | 981227     | Gasket               |   |
| 03   | 193595     | Insulation           |   |
| 04   | 0020038679 | Sealing gasket       |   |
| 05   | 103415     | O-ring (PK10)        |   |
| 06   | 103417     | Clip (PK10)          |   |
| 07   | -          | -                    | see main component 08a                        |
| 08   | -          | -                    | not available as spare part, see pos. 12      |
| 09   | -          | -                    | not necessary                                 |
| 10   | 180989     | Support (PK2)        | with part 11                                  |
| 11   | 178968     | Screw (PK10)         |   |
| 12   | 180984     | Condensate trap      | with part 08                                  |
| 13   | -          | -                    | not necessary                                 |
| 14   | -          | -                    | not necessary                                 |
| 15   | 0020052332 | Cable tree (harness) |   |

Subject to alteration !

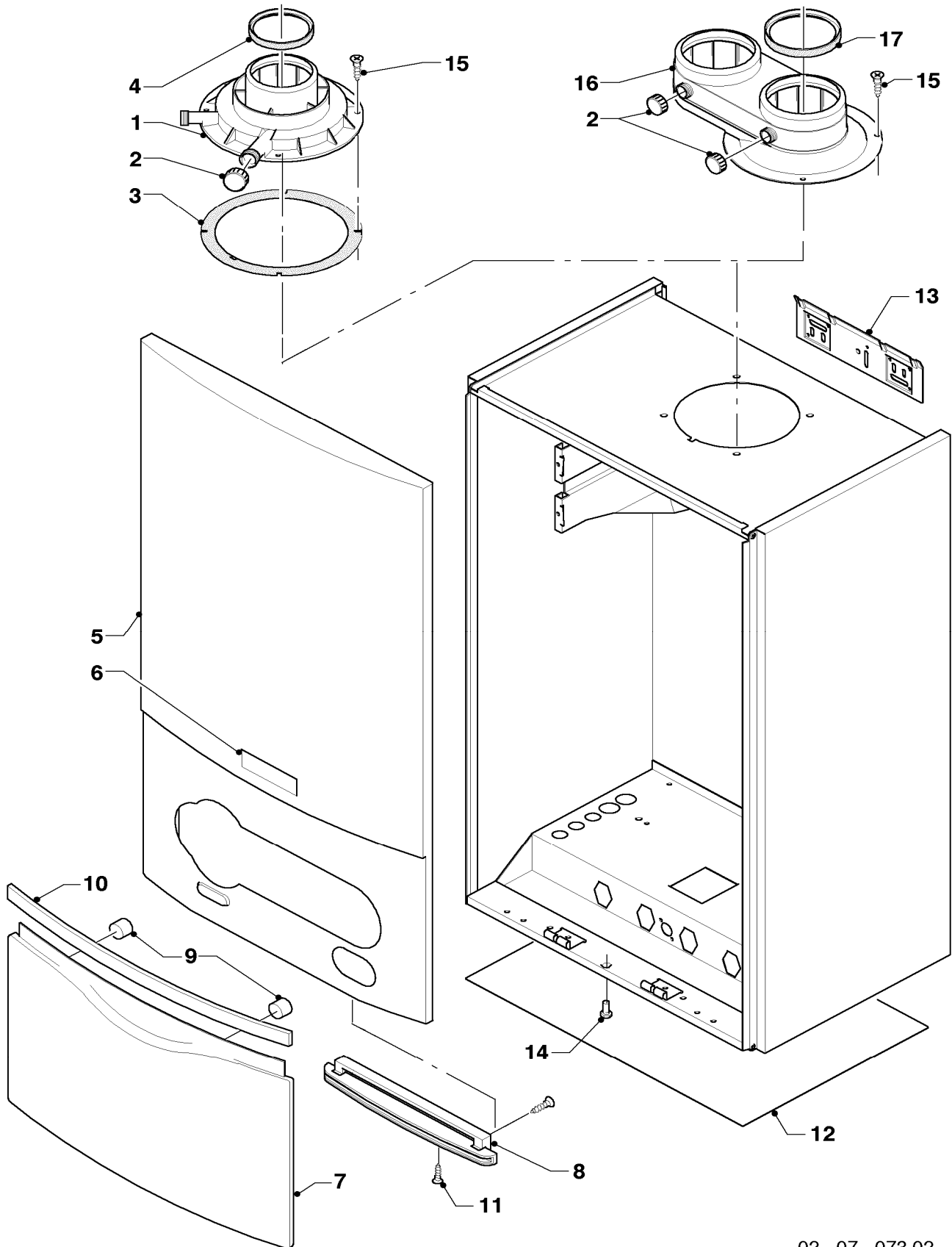
Attention: Please take the gross price from the valid price list !

## 07 Casing parts

ecoTEC pro 24 VUW 246/3-3 R1, R2

ecoTEC pro 28 VUW 286/3-3

ecoTEC pro 28 VUW 286/3-3 R1, R2



02 - 07 - 073.02

## 07 Casing parts

ecoTEC pro 24 VUW 246/3-3 R1, R2

ecoTEC pro 28 VUW 286/3-3

ecoTEC pro 28 VUW 286/3-3 R1, R2

| Pos. | Art.-No | Part                | Type, note            |
|------|---------|---------------------|-----------------------|
|      |         | 02-07-073           |                       |
| 01   | 180932  | Flue adapter 60/100 | with parts 02, 03, 04 |
| 02   | 147392  | Cap (PK5)           |                       |
| 03   | 981232  | Gasket              |                       |
| 04   | 981233  | Packing ring        |                       |
| 05   | 180934  | Covering            | with part 06          |
| 06   | 118096  | Badge               |                       |
| 07   | -       | -                   | not necessary         |
| 08   | -       | -                   | not necessary         |
| 09   | -       | -                   | not necessary         |
| 10   | -       | -                   | not necessary         |
| 11   | -       | -                   | not necessary         |
| 12   | -       | -                   | not necessary         |
| 13   | 180987  | Support             |                       |
| 14   | 105839  | Screw (PK10)        |                       |
| 15   | 500046  | Screw               |                       |
| 16   | -       | -                   | not necessary         |
| 17   | -       | -                   | not necessary         |

Subject to alteration !

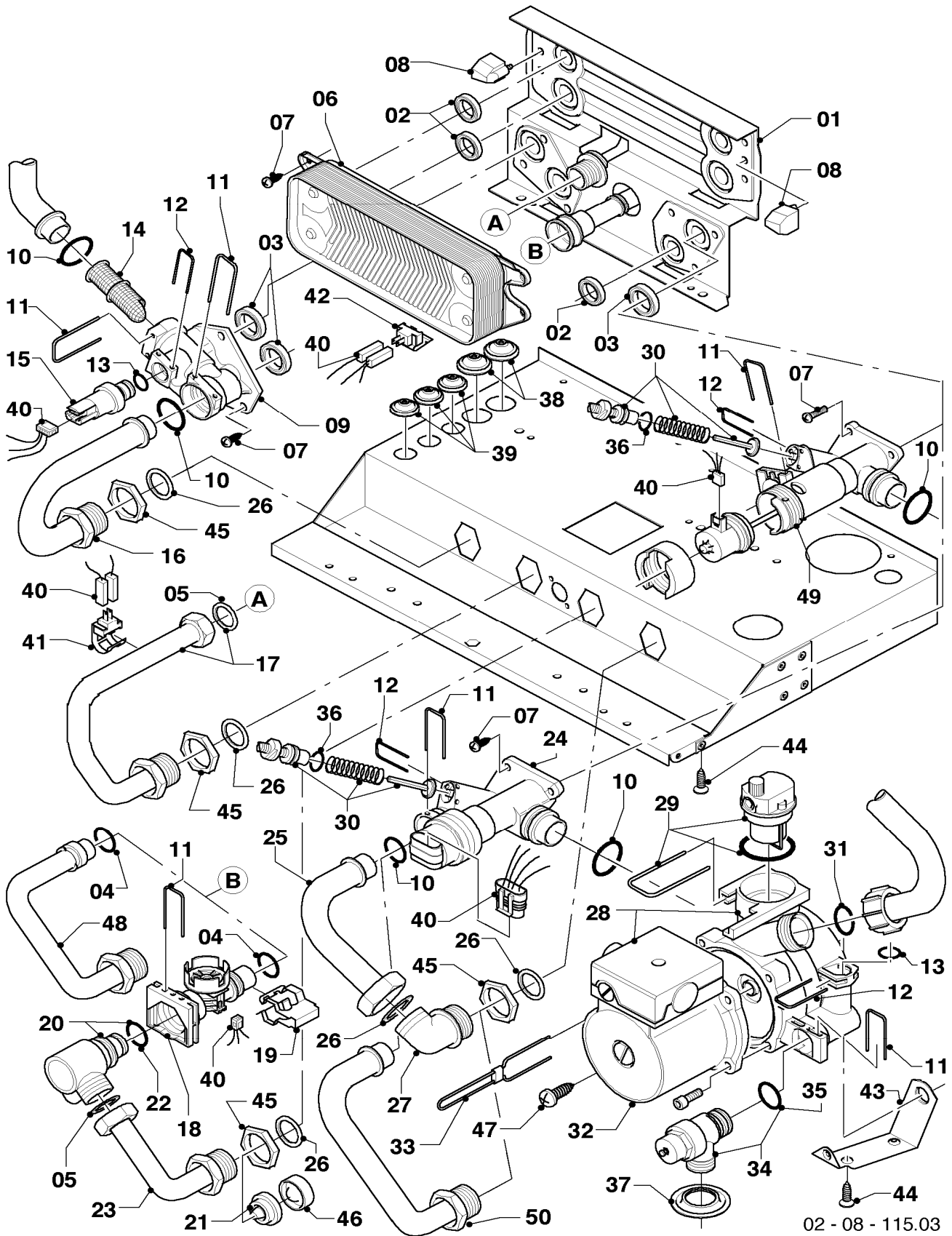
Attention: Please take the gross price from the valid price list !

## 08 Connection parts (Hydroblock)

ecoTEC pro 24 VUW 246/3-3 R1, R2

ecoTEC pro 28 VUW 286/3-3

ecoTEC pro 28 VUW 286/3-3 R1, R2



## 08 Connection parts (Hydroblock)

ecoTEC pro 24 VUW 246/3-3 R1, R2

ecoTEC pro 28 VUW 286/3-3

ecoTEC pro 28 VUW 286/3-3 R1, R2

| Pos. | Art.-No    | Part                           | Type, note  |
|------|------------|--------------------------------|---|
|      |            | 02-08-115                      |   |
| 01   | 178965     | Support                        | with parts 02, 03, 04, 05, 07, 08, 10, 19, 22, 26, 44     |
| 02   | 178969     | Washer (PK10)                  |   |
| 03   | 193535     | Washer (PK10)                  |   |
| 04   | 178991     | O-ring (PK10)                  |   |
| 05   | 981142     | Washer (PK10)                  |   |
| 06   | 0020020018 | Heat exchanger dhw (13 plates) | with parts 02, 07   |
| 07   | 178967     | Screw (PK10)                   |   |
| 08   | 193536     | Guide (PK2)                    |   |
| 09   | 179031     | Connection piece               | with parts 03, 07, 10, 11, 12, 13, 14                     |
| 10   | 193537     | O-ring (PK10)                  |   |
| 11   | 178992     | Clip (PK10)                    |   |
| 12   | 154150     | Clip                           |   |
| 13   | 178993     | O-ring (PK10)                  |   |
| 14   | 179030     | Filter                         | with parts 10, 11   |
| 15   | 0020059717 | Sensor (water pressure)        | with parts 12, 13   |
| 16   | 179033     | Pipe                           | with parts 10, 26   |
| 17   | 179034     | Pipe                           | with part 26  |
| 18   | 178988     | Flow sensor                    | with parts 04, 11, 19, 22                                 |
| 19   | 178966     | Clip                           |   |
| 20   | 179032     | Connection piece               | with parts 05, 11, 22                                     |
| 21   | 012975     | Limiter 8.1l/min               | VUW 246/3-3 R1  |
| 21   | 012975     | Limiter 8.1l/min               | VUW 246/3-3 R2  |
| 21   | 012976     | Limiter 9.4l/min               | VUW 286/3-3   |
| 21   | 012976     | Limiter 9.4l/min               | VUW 286/3-3 R1  |
| 21   | 012976     | Limiter 9.4l/min               | VUW 286/3-3 R2  |
| 22   | 981163     | O-ring (PK10)                  |   |
| 23   | 179037     | Pipe                           | with parts 05, 21, 26, 46                                 |
| 24   | 178978     | Diverter valve                 | VUW 246/3-3 R1, with parts 02, 03, 07, 10, 11, 12, 30, 36 |
| 24   | 178978     | Diverter valve                 | VUW 286/3-3, with parts 02, 03, 07, 10, 11, 12, 30, 36    |
| 24   | 178978     | Diverter valve                 | VUW 286/3-3 R1, with parts 02, 03, 07, 10, 11, 12, 30, 36 |
| 25   | 179036     | Pipe                           | with parts 10, 26   |
| 26   | 981140     | Washer (PK10)                  |   |
| 27   | 179035     | Connection piece               | with part 26  |
| 28   | 178983     | Pump                           | with parts 02, 03, 10, 11, 13, 29, 31, 34, 47             |
| 29   | 104521     | Automatic air vent             |   |
| 30   | 178980     | Bypass                         | with part 12  |
| 31   | 193539     | O-ring (PK10)                  |   |
| 32   | -          | -                              | not available as spare part, see pos. 28                  |
| 33   | 178981     | Clip                           |   |
| 34   | 178985     | Pressure relief valve (3 bar)  | with part 11  |
| 35   | -          | -                              | not available as spare part, see pos. 34                  |
| 36   | 981165     | O-ring (PK10)                  |   |
| 37   | 980765     | Grommet                        |   |
| 38   | 509120     | Packing ring (PK10)            |   |
| 39   | 509121     | Packing ring (PK10)            |   |
| 40   | 193587     | Harness                        | VUW 246/3-3 R1  |
| 40   | 0020018070 | Harness                        | VUW 246/3-3 R2  |
| 40   | 193587     | Harness                        | VUW 286/3-3   |
| 40   | 193587     | Harness                        | VUW 286/3-3 R1  |
| 40   | 0020018070 | Harness                        | VUW 286/3-3 R2  |

Subject to alteration !

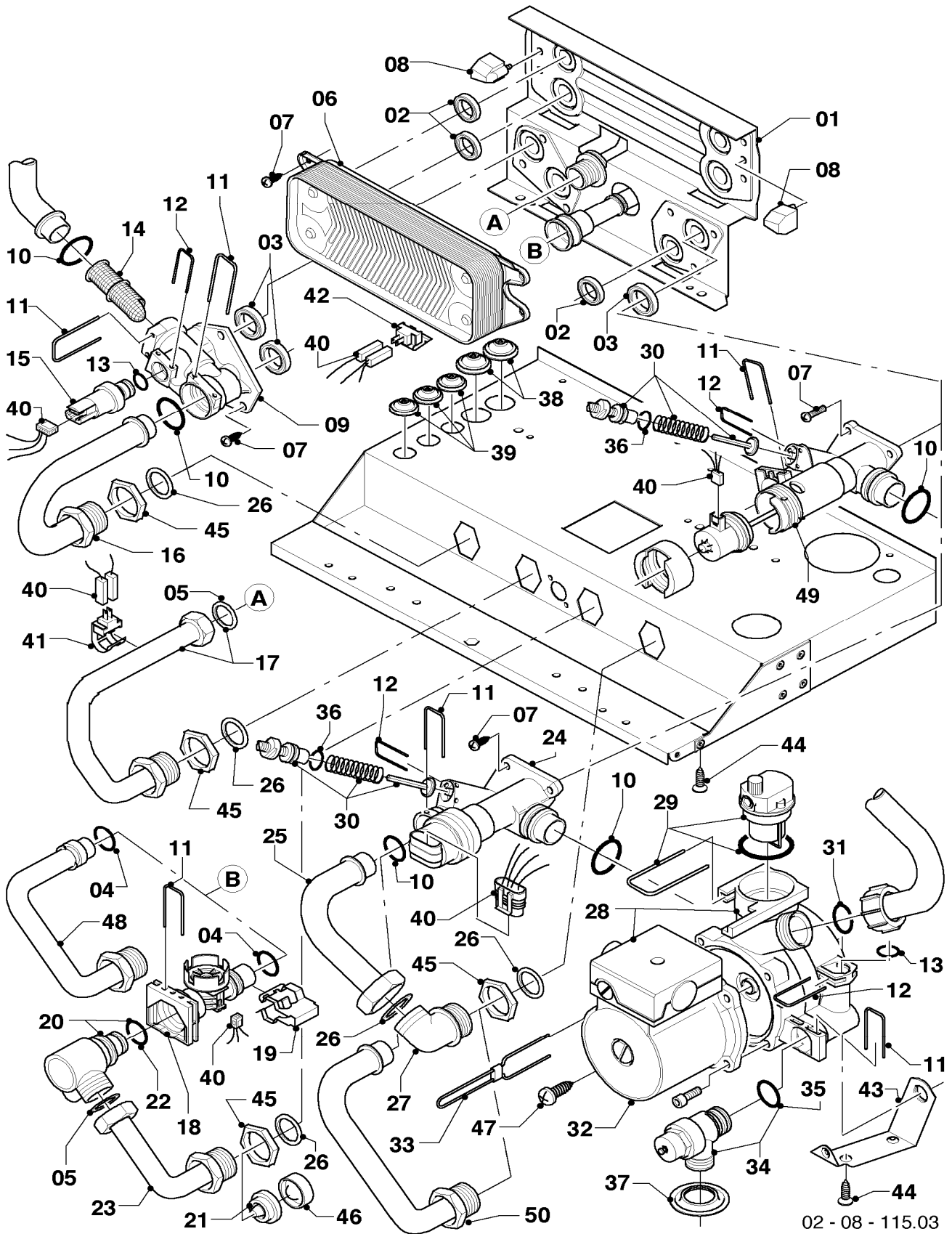
Attention: Please take the gross price from the valid price list !

# 08 Connection parts (Hydroblock)

ecoTEC pro 24 VUW 246/3-3 R1, R2

ecoTEC pro 28 VUW 286/3-3

ecoTEC pro 28 VUW 286/3-3 R1, R2



02 - 08 - 115.03

## 08 Connection parts (Hydroblock)

ecoTEC pro 24 VUW 246/3-3 R1, R2

ecoTEC pro 28 VUW 286/3-3

ecoTEC pro 28 VUW 286/3-3 R1, R2

| Pos. | Art.-No    | Part                                 | Type, note  |
|------|------------|--------------------------------------|---|
|      |            | 02-08-115                            |   |
| 41   | -          | -                                    | not necessary   |
| 42   | 103430     | NTC sensor (DHW heat exchanger)      | heat exchanger  |
| 43   | 178984     | Support                              |   |
| 44   | 235715     | Tapping screw (ST 4,8x 9,5) ISO 7049 |   |
| 45   | 193598     | Nut (PK4)                            |   |
| 46   | 074514     | Filter                               |   |
| 47   | 235756     | Tapping screw (ST 4,8x19)            |   |
| 48   | -          | -                                    | not necessary   |
| 49   | 0020020015 | Three way valve                      | VUW 246/3-3 R2, with parts 02, 03, 07, 10, 11, 12, 30, 36 |
| 49   | 0020020015 | Three way valve                      | VUW 286/3-3 R2, with parts 02, 03, 07, 10, 11, 12, 30, 36 |
| 50   | -          | -                                    | not necessary   |

Subject to alteration !

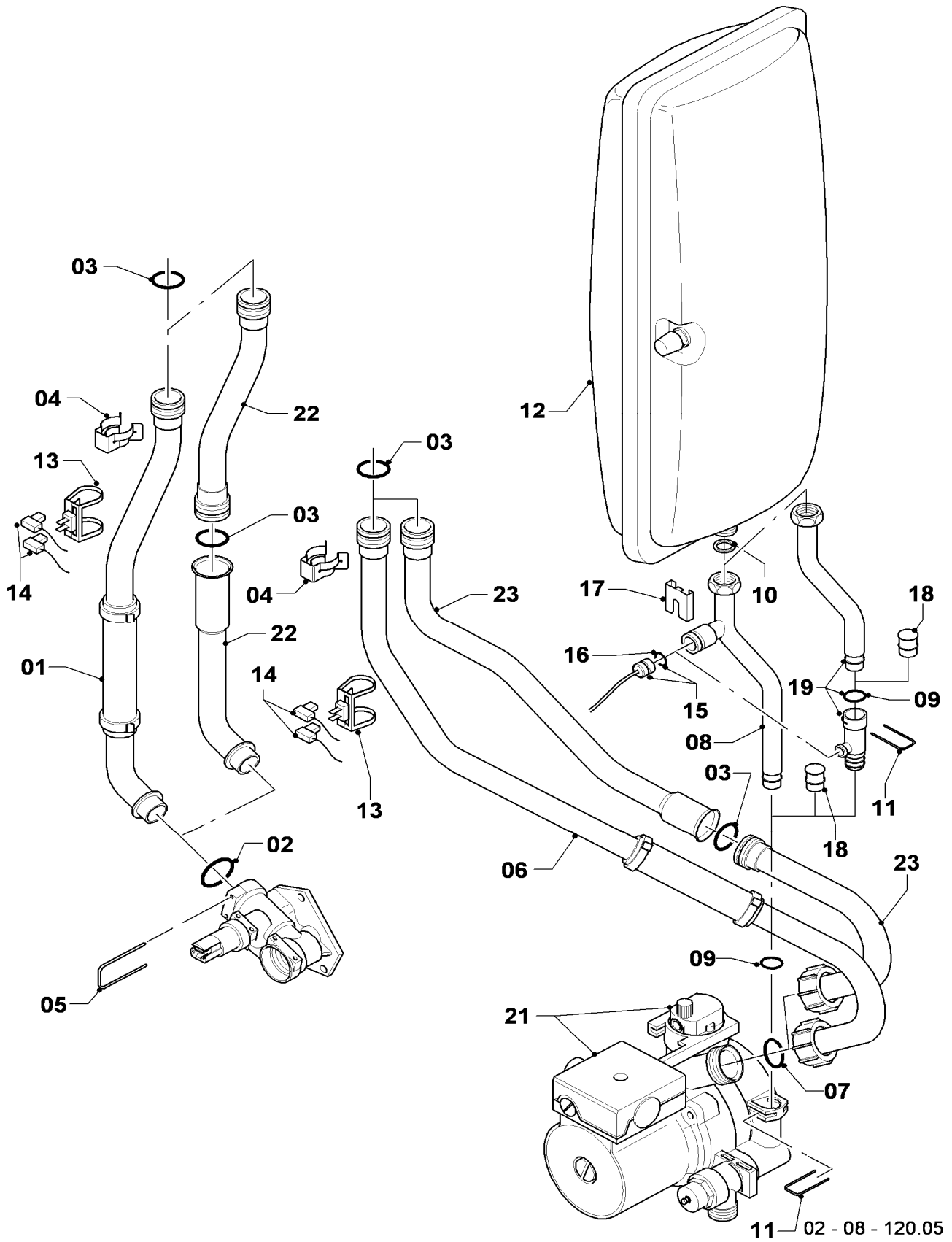
Attention: Please take the gross price from the valid price list !

## 08a Connection parts

ecoTEC pro 24 VUW 246/3-3 R1, R2

ecoTEC pro 28 VUW 286/3-3

ecoTEC pro 28 VUW 286/3-3 R1, R2





## 08a Connection parts

ecoTEC pro 24 VUW 246/3-3 R1, R2

ecoTEC pro 28 VUW 286/3-3

ecoTEC pro 28 VUW 286/3-3 R1, R2

| Pos. | Art.-No    | Part                           | Type, note                                   |
|------|------------|--------------------------------|--|
|      |            | 02-08-120                      |  |
| 01   | -          | -                              | 180946 no longer available, see pict. no. 22 |
| 02   | 193537     | O-ring (PK10)                  |  |
| 03   | 103415     | O-ring (PK10)                  |  |
| 04   | 103417     | Clip (PK10)                    |  |
| 05   | 178992     | Clip (PK10)                    |  |
| 06   | -          | -                              | 180948 no longer available, see pict. no. 23 |
| 07   | 193539     | O-ring (PK10)                  |  |
| 08   | -          | -                              | no longer available, see pict. no. 19        |
| 09   | 178993     | O-ring (PK10)                  |  |
| 10   | 981149     | Washer (PK10)                  |  |
| 11   | 154150     | Clip                           |  |
| 12   | 181051     | Expansion vessel               | 10 Liter                                     |
| 13   | 193592     | Sensor NTC (CH flow/CH return) |  |
| 14   | 193586     | Harness                        |  |
| 15   | 180982     | Pressure gauge                 |  |
| 16   | 981155     | O-ring (PK10)                  |  |
| 17   | 085751     | Pressure gauge clip            |  |
| 18   | -          | -                              | not necessary                                |
| 19   | 0020025045 | Connection tube                | with parts 10, 11, 16, 17                    |
| 20   | -          | -                              | not necessary                                |
| 21   | 178983     | Pump                           |  |
| 22   | 0020068956 | Connection tube                | with parts 02, 03                            |
| 23   | 0020068958 | Connection tube                | with parts 02, 07                            |

Subject to alteration !

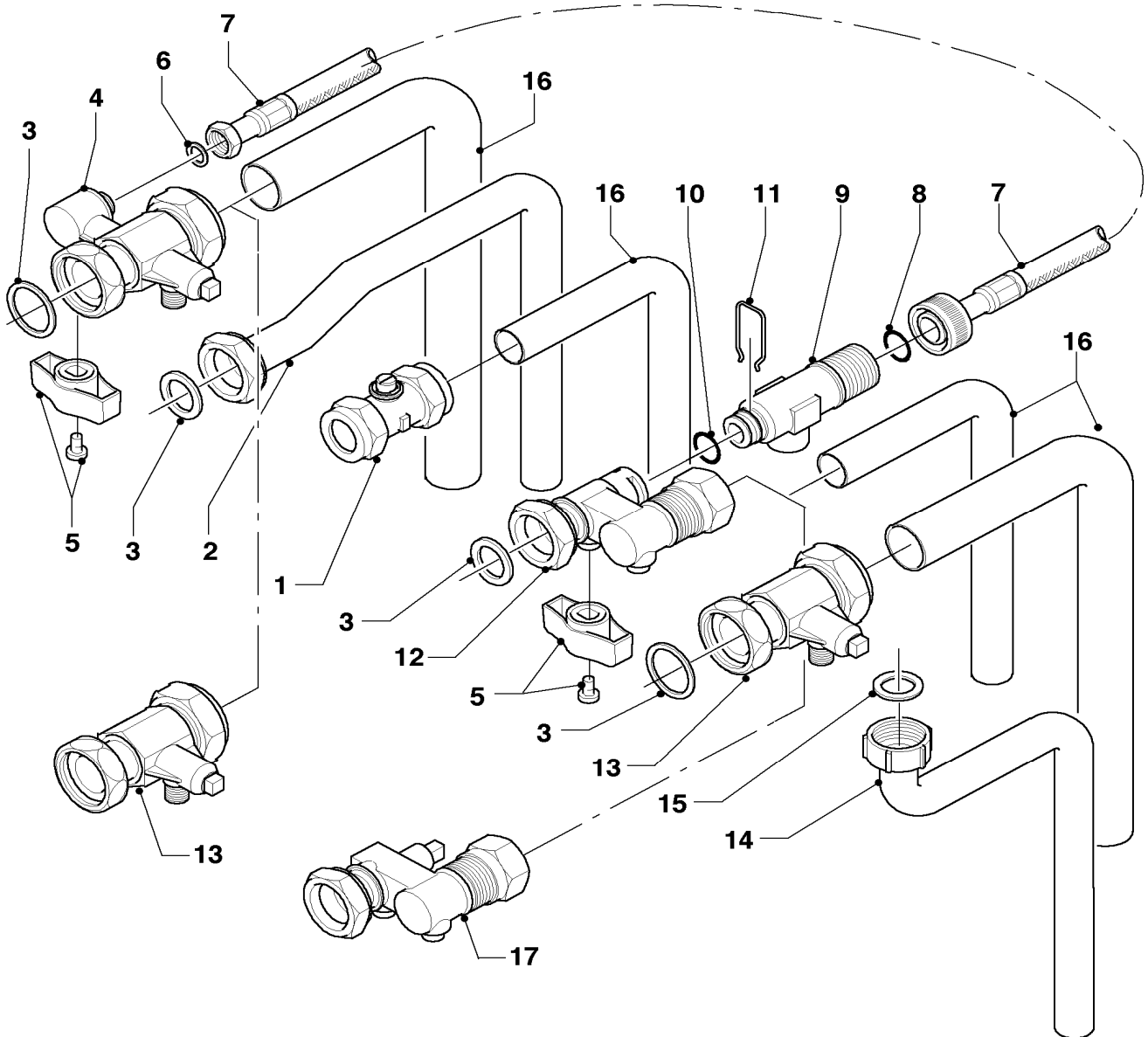
Attention: Please take the gross price from the valid price list !

## 08b Connection parts (Acc.)

ecoTEC pro 24 VUW 246/3-3 R1, R2

ecoTEC pro 28 VUW 286/3-3

ecoTEC pro 28 VUW 286/3-3 R1, R2



02 - 08 - 125.01

## 08b Connection parts (Acc.)

ecoTEC pro 24 VUW 246/3-3 R1, R2

ecoTEC pro 28 VUW 286/3-3

ecoTEC pro 28 VUW 286/3-3 R1, R2

| Pos. | Art.-No    | Part               | Type, note                  |
|------|------------|--------------------|-----------------------------|
|      |            | 02-08-125          |                             |
| 01   | 082782     | Gas shut-off valve |                             |
| 02   | 0020010290 | Pipe               | with part 03                |
| 03   | 981140     | Washer (PK10)      |                             |
| 04   | -          | -                  | not necessary, see pos. 13  |
| 05   | -          | -                  | not necessary               |
| 06   | -          | -                  | not necessary               |
| 07   | -          | -                  | not necessary               |
| 08   | -          | -                  | not necessary               |
| 09   | -          | -                  | not necessary               |
| 10   | -          | -                  | not necessary               |
| 11   | -          | -                  | not necessary               |
| 12   | -          | -                  | not necessary               |
| 13   | 0020010296 | Service cock       | with part 03                |
| 14   | 0020010297 | Pipe               | with part 15                |
| 15   | 0020010298 | Washer (PK10)      |                             |
| 16   | -          | -                  | not available as spare part |
| 17   | 014714     | Valve              |                             |

Subject to alteration !

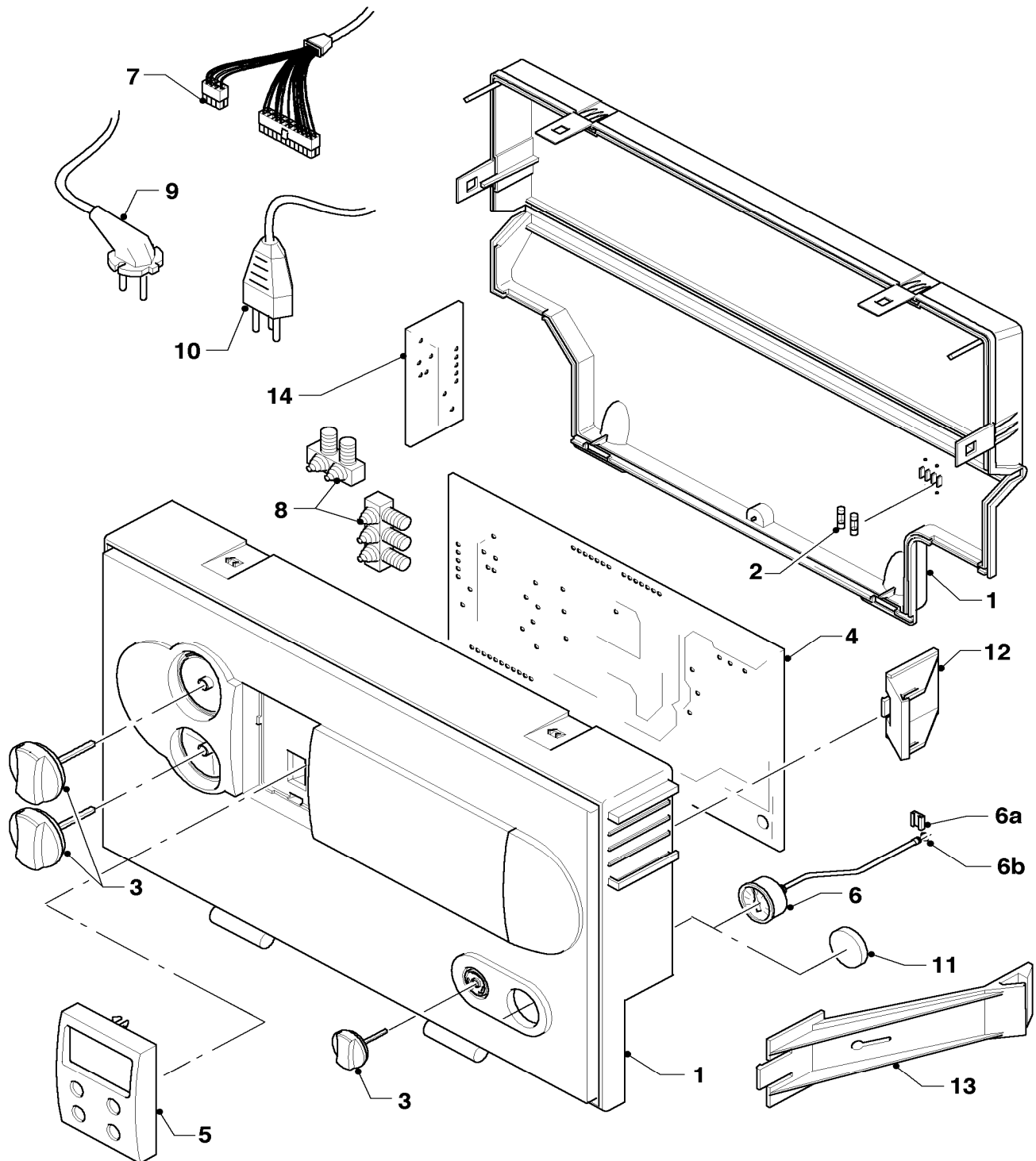
Attention: Please take the gross price from the valid price list !

## 12 Control box

ecoTEC pro 24 VUW 246/3-3 R1, R2

ecoTEC pro 28 VUW 286/3-3

ecoTEC pro 28 VUW 286/3-3 R1, R2



02 - 12 - 046.02

## 12 Control box

ecoTEC pro 24 VUW 246/3-3 R1, R2

ecoTEC pro 28 VUW 286/3-3

ecoTEC pro 28 VUW 286/3-3 R1, R2

| Pos. | Art.-No    | Part                | Type, note                |
|------|------------|---------------------|---------------------------|
|      |            | 02-12-046           |                           |
| 01   | 193582     | Casing              | with parts 02, 03         |
| 02   | 251955     | Fuse 2.0A T (PK10)  | 2.0 AT                    |
| 03   | 117319     | Knobs grey (PK3)    |                           |
| 04   | 0020052093 | Printed circuit     | with part 02              |
| 05   | 0020040154 | Display             |                           |
| 06   | 180982     | Pressure gauge      |                           |
| 06a  | 085751     | Pressure gauge clip |                           |
| 06b  | 981155     | O-ring (PK10)       |                           |
| 07   | 193586     | Harness             | appliance                 |
| 07   | 193587     | Harness             | VUW 246/3-3 R1, hydraulik |
| 07   | 0020018070 | Harness             | VUW 246/3-3 R2, hydraulik |
| 07   | 193587     | Harness             | VUW 286/3-3, hydraulik    |
| 07   | 193587     | Harness             | VUW 286/3-3 R1, hydraulik |
| 07   | 0020018070 | Harness             | VUW 286/3-3 R2, hydraulik |
| 08   | 078533     | Cable fixation      |                           |
| 09   | -          | -                   | not necessary             |
| 10   | -          | -                   | not necessary             |
| 11   | -          | -                   | not necessary             |
| 12   | 193583     | Support             |                           |
| 13   | -          | -                   | not necessary             |
| 14   | -          | -                   | not necessary             |

Subject to alteration !

Attention: Please take the gross price from the valid price list !

## Notes

