

VAILLANT SPARE PARTS CATALOGUE

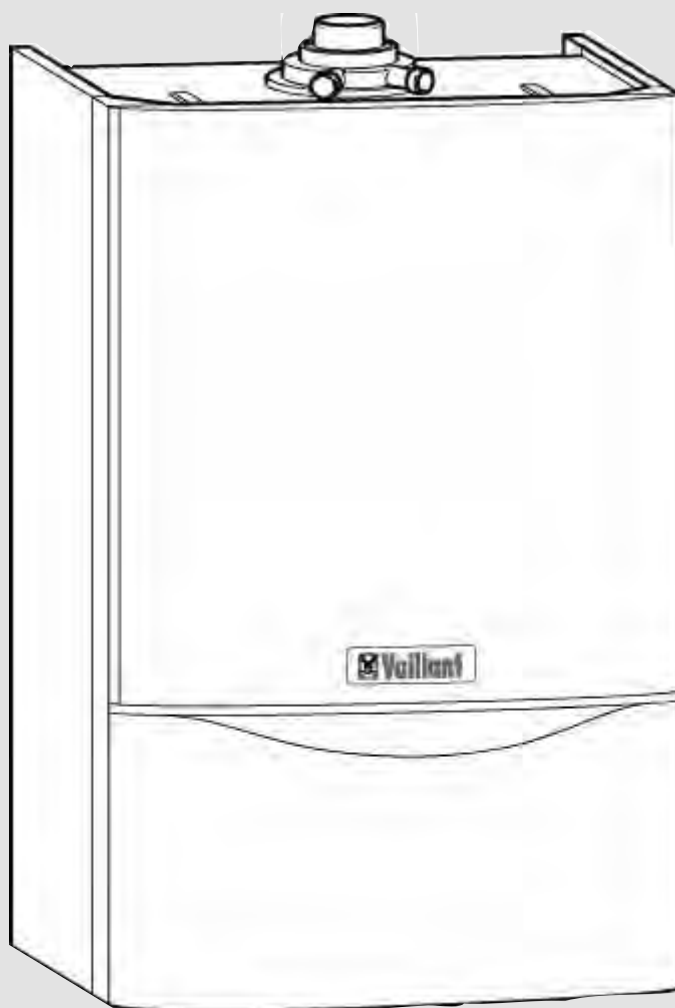
ecoMAX 613/2 E (VU 126/2-C)

ecoMAX 618/2 E (VU 186/2-C)

ecoMAX 622/2 E (VU 226/2-C)

ecoMAX 824/2 E (VUW 246/2-C)

ecoMAX 828/2 E (VUW 286/2-C)

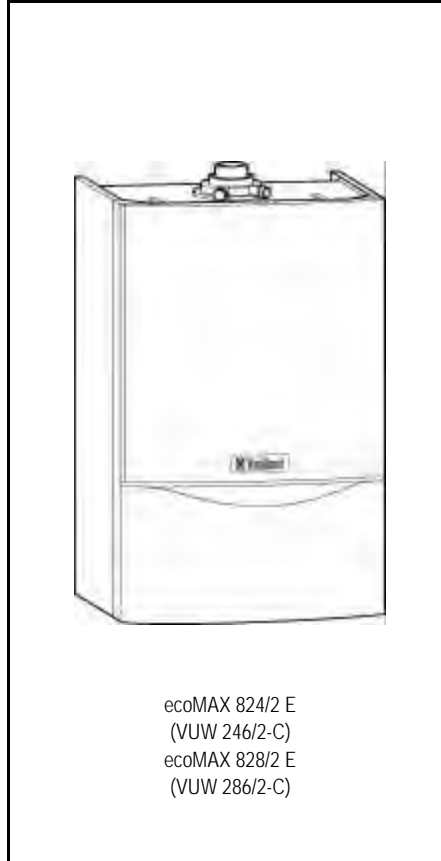
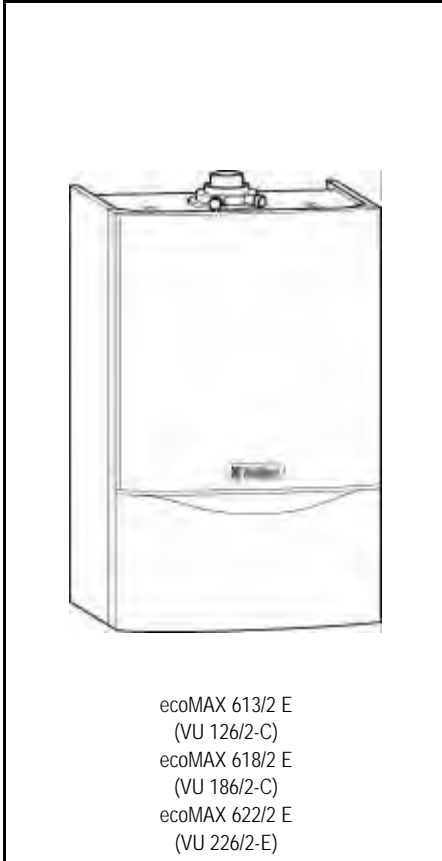


Subject to alteration

GB 05/01



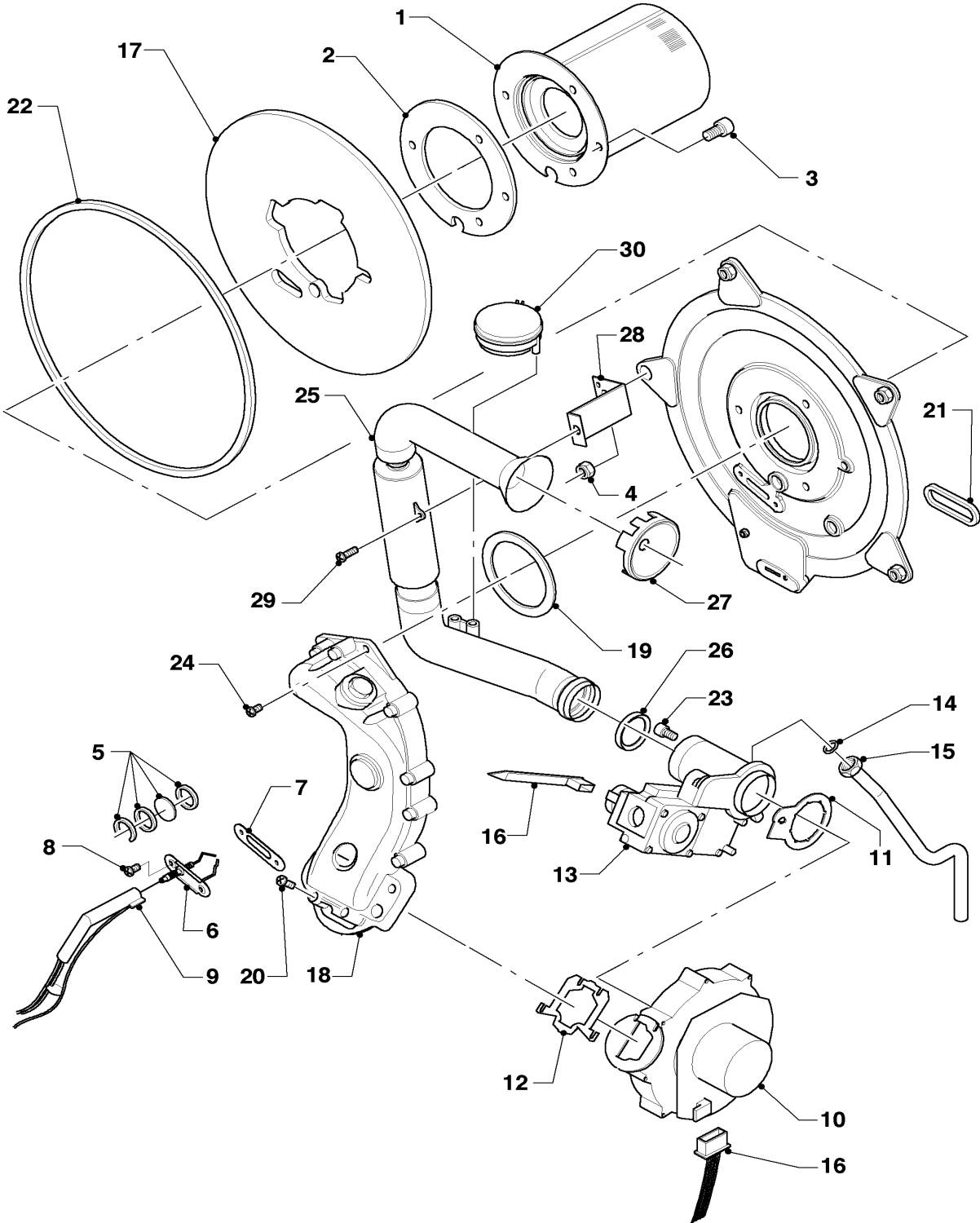
View of appliances / Content



Main component 04/05 Burner, Gas Valve, Electrode	01-02
Main component 06 Heat exchanger, Condensate Drain	03-04
Main component 07 Casing parts	05-06
Main component 08 Connection parts	07-10
Main component 12 Control box	11-12

In order to maintain the safe and efficient operation of this appliance, only genuine Vaillant spare parts must be used.

Main component 04/05 Burner, Gas Valve, Ignition/Monitoring Electrode
ecoMAX 613/2 E, 618/2 E, 622/2 E (VU 126/2-C, 186/2-C, 226/2-C) H,P
ecoMAX 824/2 E, 828/2 E (VUW 246/2-C, 286/2-C) H,P

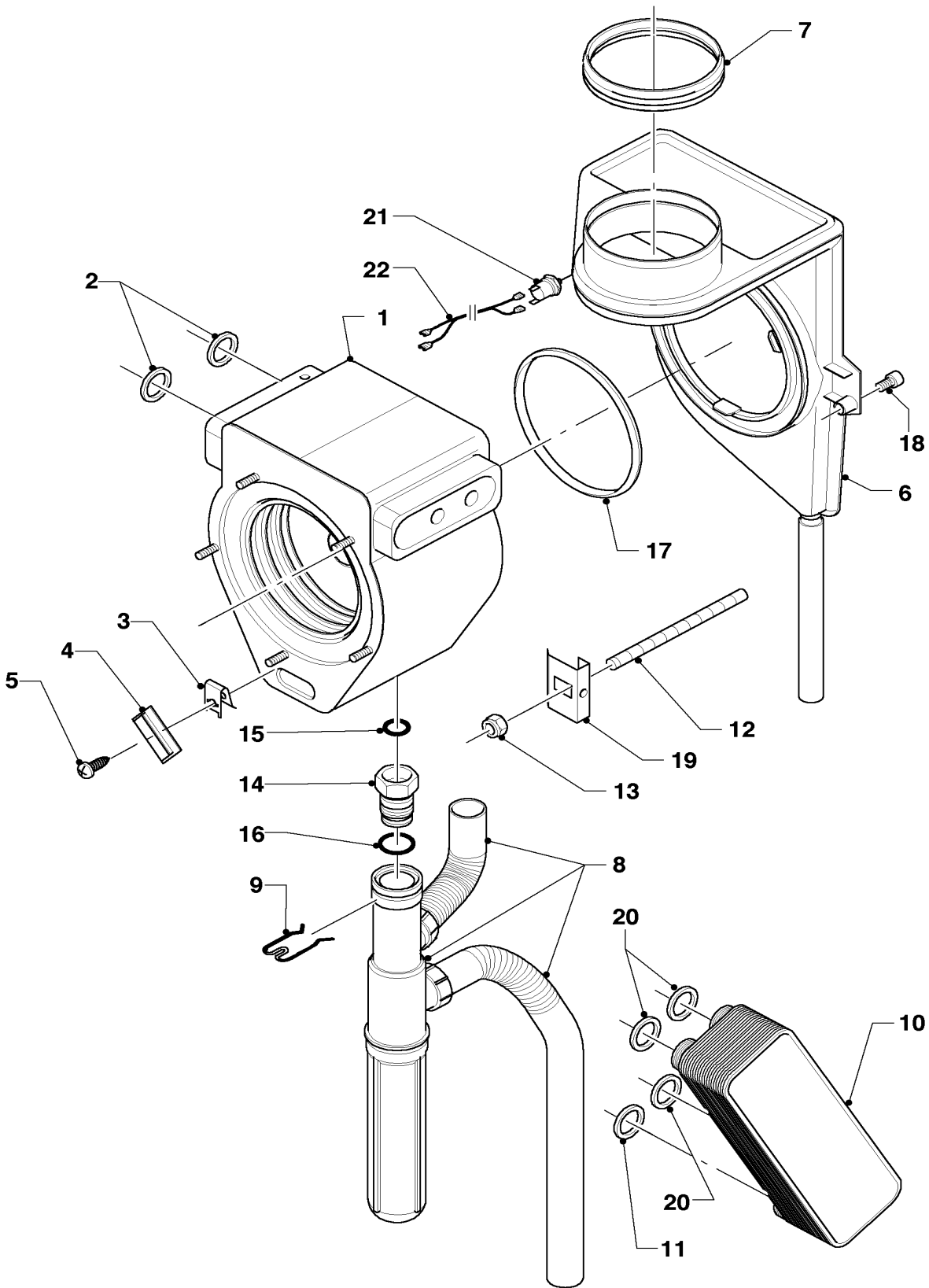


02 - 04 - 031.01

Main component 04/05 Burner, Gas Valve, Ignition/Monitoring Electrode
ecoMAX 613/2 E,618/2 E,622/2 E (VU 126/2-C, 186/2-C, 226/2-C) H,P
ecoMAX 824/2 E, 828/2 E (VUW 246/2-C, 286/2-C) H,P

Pict. No	Article-No.	Part	with parts	VU 126/2-C	VU 186/2-C	VU 226/2-C	VUW 246/2-C	VUW 286/2-C												
		02-04-031																		
01	048943	burner	02, 03	X																
	049324	burner	02, 03		X		X													
	049345	burner	02, 03			X		X												
02	981103	packingring, cpl.		X	X	X	X	X												
03	105900	screw, cpl. (set of 10)		X	X	X	X	X												
04	114828	nut		X	X	X	X	X												
05	161245	inspection glass		X	X	X	X	X												
06	090709	ignition/monitoring electrode, cpl.		X	X	X	X	X												
07	980961	packingring		X	X	X	X	X												
08	118883	flat head screw		X	X	X	X	X												
09	091551	ignition wire		X	X	X	X	X												
10	190194	fan	11,12,21,22	X	X	X	X	X												
11	981104	packingring		X	X	X	X	X												
12	981045	packingring		X	X	X	X	X												
13	053488	gas valve	11,14,21,22	X																
	053470	gas valve	11,14,21,22		X		X													
	053471	gas valve	11,14,21,22			X		X												
14	981142	packingring (set of 10)		X	X	X	X	X												
15	124276	gas connection tube, cpl.	14	X	X		X													
	123434	gas connection tube, cpl.	14			X		X												
16	256133	cable tree		X																
	256134	cable tree			X															
	256135	cable tree				X														
	256136	cable tree					X													
	256137	cable tree						X												
17	210734	insulation	02,03	X	X	X	X	X												
18	116688	air gas mixing tube, cpl.		X	X	X	X	X												
19	981107	packingring, cpl.		X	X	X	X	X												
20	105836	screw		X	X	X	X	X												
21-22	981046	packingring, cpl.		X	X	X	X	X												
23	139247	screw		X	X	X	X	X												
24	118882	screw		X	X	X	X	X												
25	145829	air inlet pipe	26	X	X	X	X	X												
26	981111	packingring		X	X	X	X	X												
27	235057	throttle disc		X																
28	087195	support bracket		X	X	X	X	X												
29	235756	screw		X	X	X	X	X												
30	-	not necessary for British appliances execution		X	X	X	X	X												

Main component 06 Heat Exchanger, Condensate Drain
ecoMAX 613/2 E, 618/2 E, 622/2 E (VU 126/2-C, 186/2-C, 226/2-C) H,P
ecoMAX 824/2 E, 828/2 E (VUW 246/2-C, 286/2-C) H,P

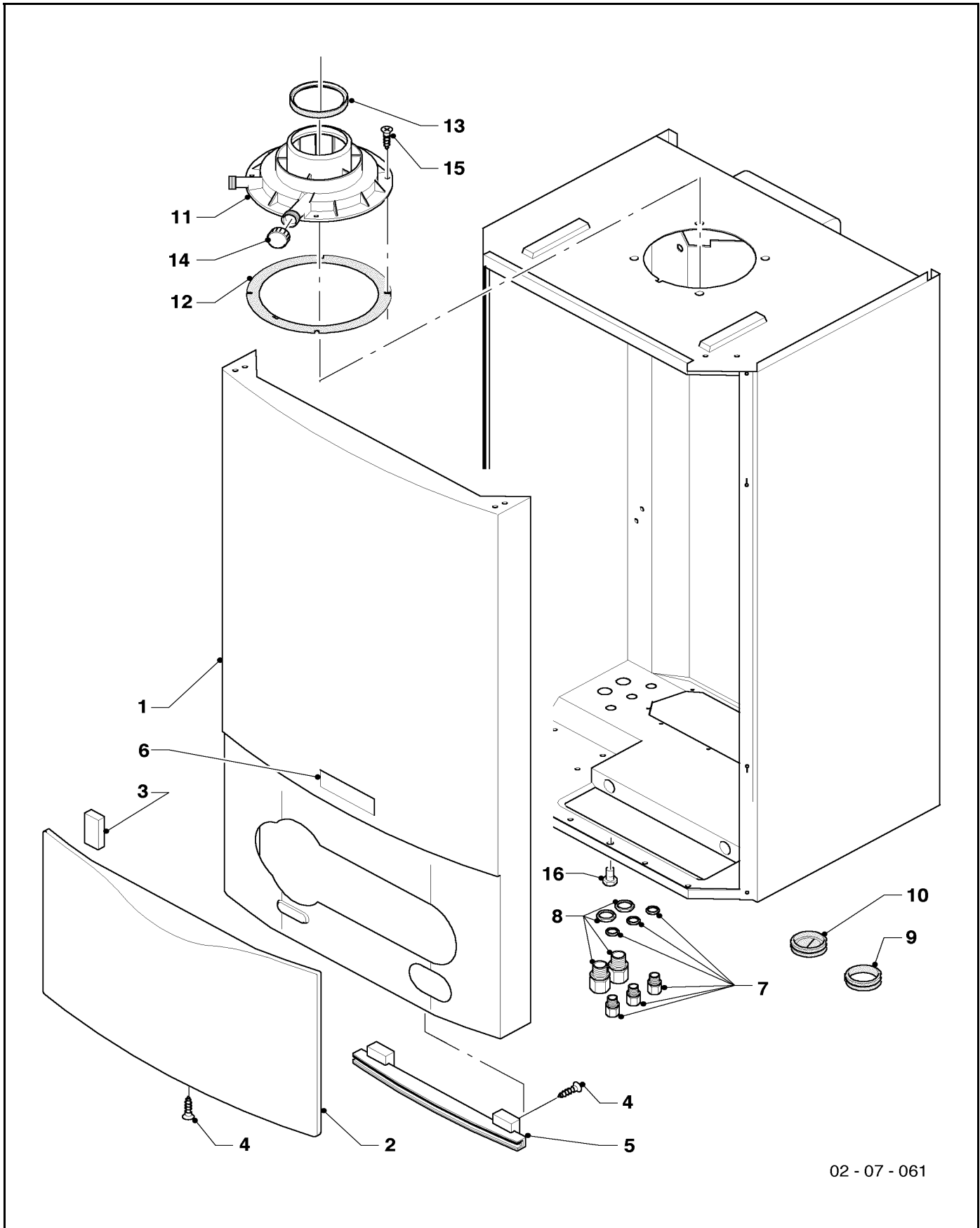


02 -06 - 037.01

Main component 06 Heat Exchanger, Condensate Drain
 ecoMAX 613/2 E, 618/2 E, 622/2 E (VU 126/2-C, 186/2-C, 226/2-C) H,P
 ecoMAX 824/2 E, 828/2 E (VUW 246/2-C, 286/2-C) H,P

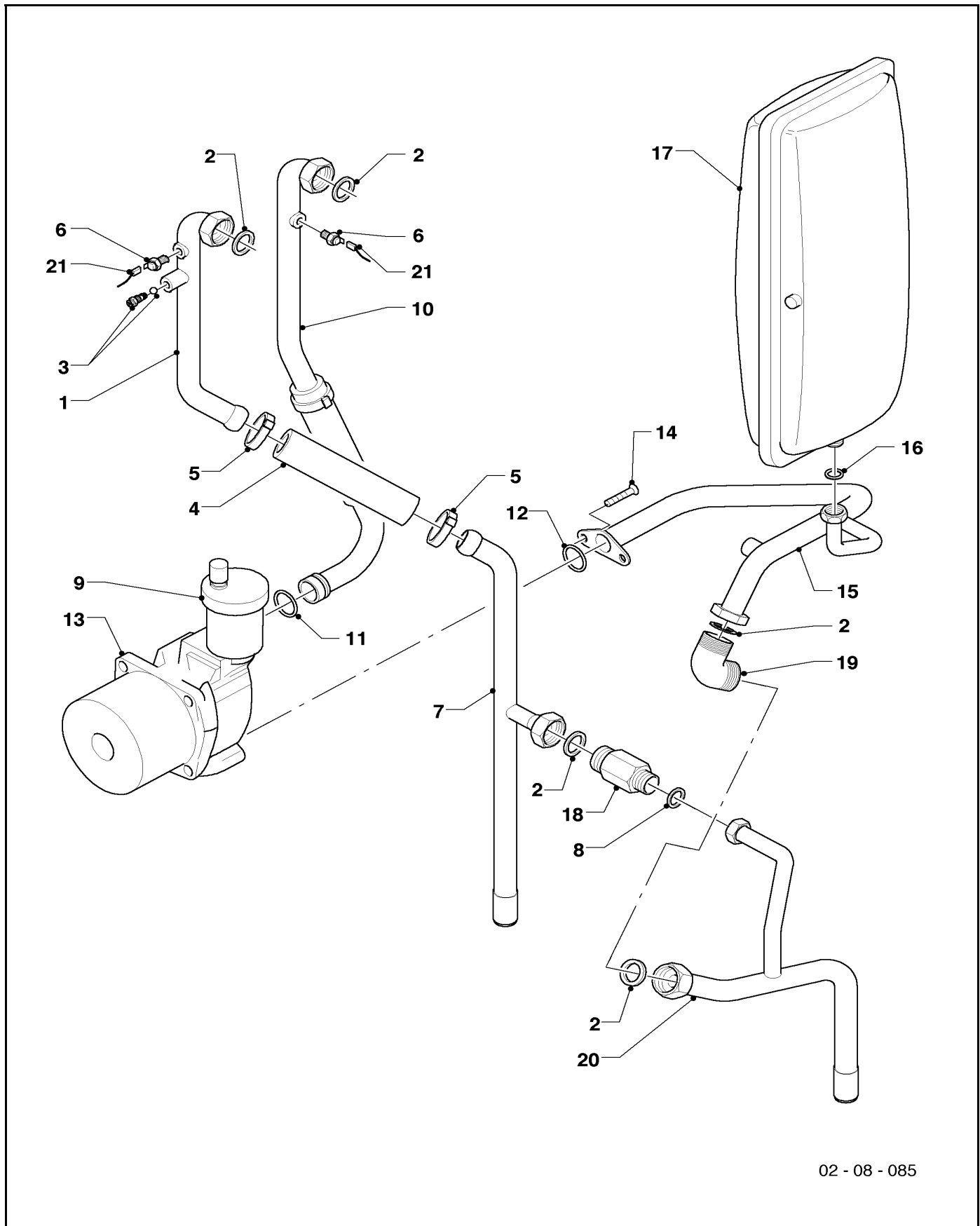
Pict. No	Article-No.	Part	with parts	VU 126/2-C	VU 186/2-C	VU 226/2-C	VUW 246/2-C	VUW 286/2-C												
		02-06-037																		
01	065113	heat exchanger	02, 17	X	X		X													
	065114	heat exchanger	02, 17			X	X													
02	981140	packingring (set of 10)		X	X	X	X	X												
03	158211	nut		X	X	X	X	X												
04	086992	support		X	X		X													
	087121	support				X		X												
05	235737	screw		X	X	X	X	X												
06	076524	condensing collector, cpl.	07,17	X	X	X	X	X												
07	981227	packingring		X	X	X	X	X												
08	011511	condensate trap		X	X	X	X	X												
09	154162	spring clip		X	X	X	X	X												
10	065107	heat exchanger (BW)	11,20				X	X												
11	981142	packingring (set of 10)					X	X												
12	289802	tie rod		X	X		X													
	289803	tie rod				X		X												
13	114828	nut		X	X	X	X	X												
14	087310	connection piece		X	X	X	X	X												
15	982409	packingring (set of 10)		X	X	X	X	X												
16	981158	packingring (set of 10)		X	X	X	X	X												
17	981226	packingring		X	X	X	X	X												
18	118885	flat heat screw		X	X	X	X	X												
19	087140	support		X	X	X	X	X												
20	981163	packingring (set of 10)					X	X												
21-22	-	not necessary for British appliances execution		X	X	X	X	X												

Main component 07 Casing parts
ecoMAX 613/2 E, 618/2 E, 622/2 E (VU 126/2-C, 186/2-C, 226/2-C) H,P
ecoMAX 824/2 E, 828/2 E (VUW 246/2-C, 286/2-C) H,P



02 - 07 - 061

Main component 08 Connection parts
ecoMAX 613/2 E, 618/2 E, 622/2 E (VU 126/2-C, 186/2-C, 226/2-C)

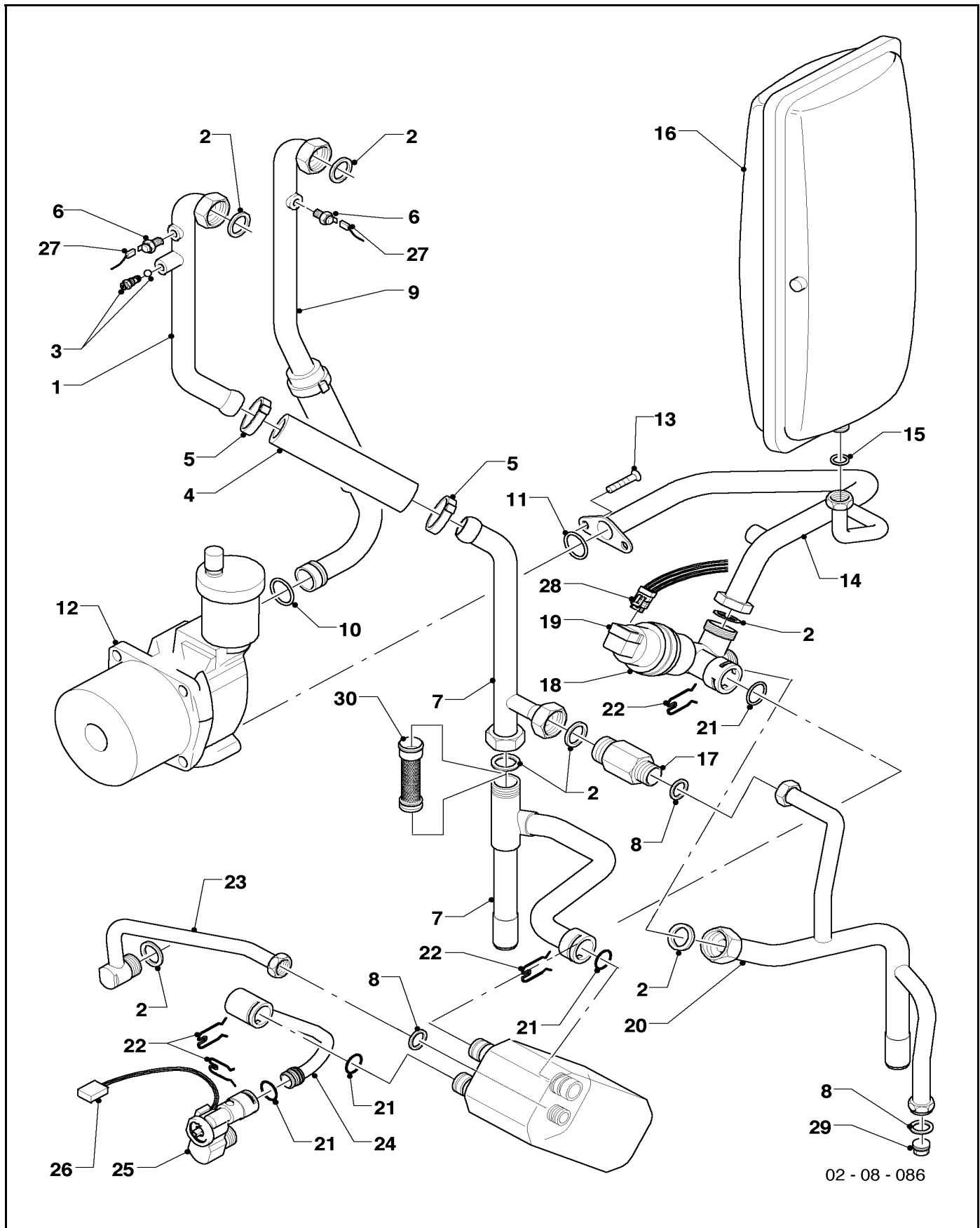


02 - 08 - 085

Main component 08 Connection parts
ecoMAX 613/2 E,618/2 E,622/2 E (VU 126/2-C, 186/2-C, 226/2-C)

Pict. No.	Article-No.	Part	with parts	VU 126/2-C	VU 166/2-C	VU 226/2-C													
				X	X	X													
		02-08-081																	
01	022736	connection tube, cpl.	02,03,04,05 (2x)	X	X	X													
02	981140	packingring (set of 10)		X	X	X													
03	140015	de-aeration screw		X	X	X													
04	080387	flexible tube	05 (2x)	X	X	X													
05	990187	securing clip		X	X	X													
06	252805	NTC-sensor		X	X	X													
07	022747	connection tube, cpl.	02,04,05 (2x)	X	X	X													
08	981142	packingring (set of 10)		X	X	X													
09	061707	automatic de-aerator		X	X	X													
10	022739	connection tube, cpl.	02,06,11	X	X	X													
11	981151	packingring (set of 10)		X	X	X													
12	981234	packingring (set of 10)		X	X	X													
13	160949	pump	09,11,12,14	X	X	X													
14	118951	screw		X	X	X													
15	022740	connection tube, cpl.	02,12,16	X	X	X													
16	981149	packingring (set of 10)		X	X	X													
17	181051	expansion vessel	16	X	X	X													
18	150238	automatic bypass valve	02,08	X	X	X													
19	084984	connection piece	02	X	X	X													
20	022741	connection tube, cpl.	02,08	X	X	X													
21	256149	cable tree, cpl.		X	X	X													
	256133	cable tree, cpl.		X															
	256134	cable tree, cpl.			X														
	256135	cable tree, cpl.				X													

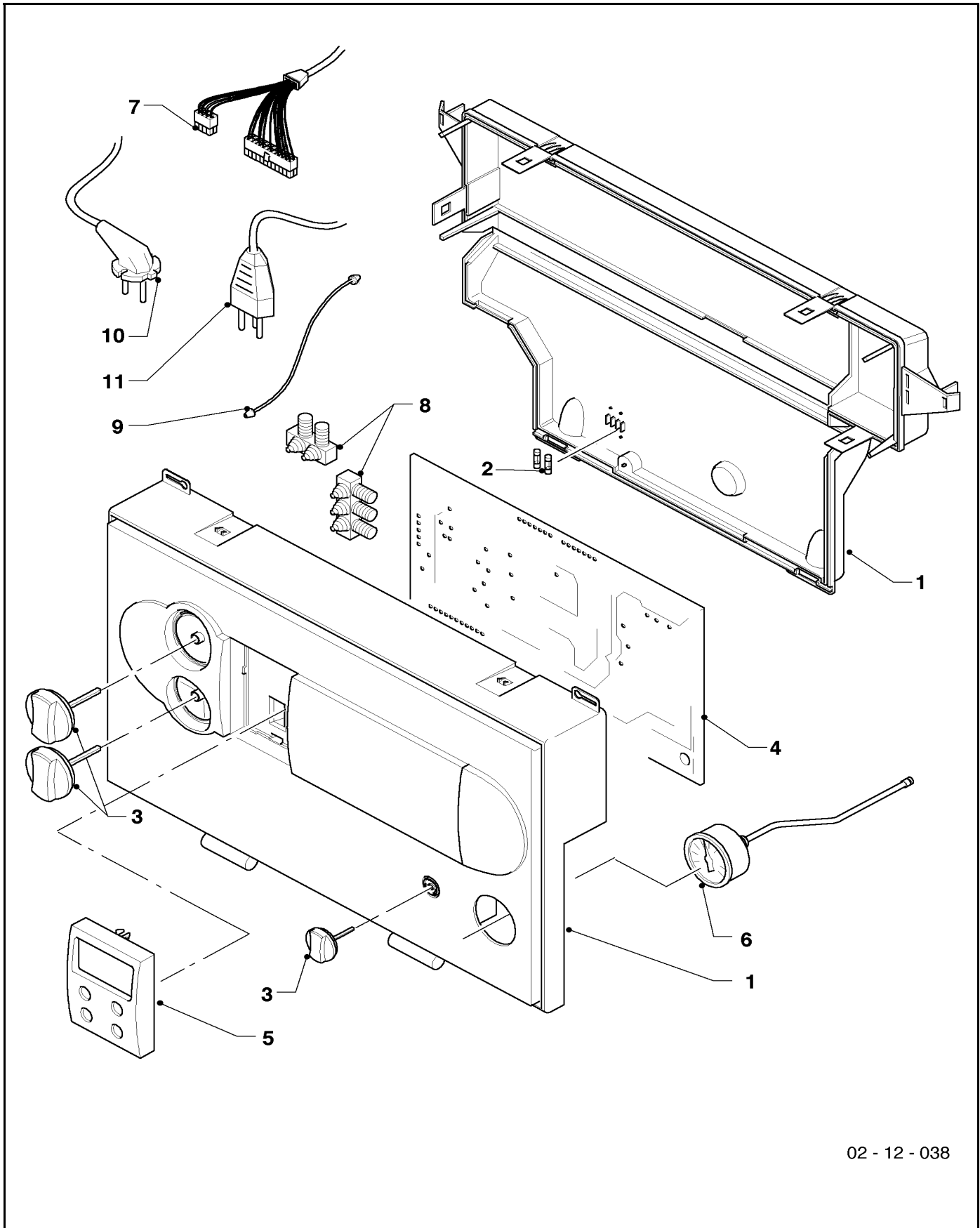
Main component 08 Connection parts
ecoMAX 824/2 E, 828/2 E (VUW 246/2-C, 286/2-C)



Main component 08 Connection parts
ecoMAX 824/2 E, 828/2 E (VUW 246/2-C, 286/2-C)

Pict. No	Article-No.	Part	with parts	VUW 246/2-C	VUW 286/2-C															
		02-08-082																		
01	022736	connection tube, cpl.	02,03,04,05 (2x)	X	X															
02	981140	packingring (set of 10)		X	X															
03	140015	de-aeration screw		X	X															
04	080387	flexible tube, cpl.	05 (2x)	X	X															
05	990187	securing clip		X	X															
06	252805	ntc-sensor		X	X															
07	022745	connection tube, cpl.	02,04,05 (2x),30	X	X															
08	981142	packingring (set of 10)		X	X															
09	022739	connection tube, cpl.	02,06,10	X	X															
10	981151	packingring (set of 10)		X	X															
11	981234	packingring (set of 10)		X	X															
12	160949	pump	10,11,13	X	X															
13	118951	screw		X	X															
14	022740	connection tube, cpl.	02,11,15	X	X															
15	981149	packingring (set of 10)		X	X															
16	181051	expansion vessel	15	X	X															
17	150238	automatic bypass valve	02,08	X	X															
18	252457	diverter valve, cpl.	02,19,21,22	X	X															
19	140429	diverter valve actuator		X	X															
20	022746	connection tube, cpl.	02,08	X	X															
21	981163	packingring (set of 10)		X	X															
22	219622	spring clamp (set of 10)		X	X															
23	022744	connection tube, cpl.	02,08	X	X															
24	022743	connection tube, cpl.	21	X	X															
25	194829	impeller, cpl. aqua-sensor	02,21	X																
	194830	impeller, cpl. aqua-sensor	02,21		X															
26	711933	sensor, cpl.		X	X															
27	256149	cable tree, cpl.		X	X															
28	256136	cable tree, cpl.		X																
	256137	cable tree, cpl.			X															
29	136376	nipple		X	X															
30	074517	filter, cpl.		X	X															

Main component 12 Control box
ecoMAX 613/2 E, 618/2 E, 622/2 E (VU 126/2-C, 186/2-C, 226/2-C) H,P
ecoMAX 824/2 E, 828/2 E (VUW 246/2-C, 286/2-C) H,P



02 - 12 - 038

Main component 12 Control box
 ecoMAX 613/2 E, 618/2 E, 622/2 E (VU 126/2-C, 186/2-C, 226/2-C) H,P
 ecoMAX 824/2 E, 828/2 E (VUW 246/2-C, 286/2-C) H,P

Pict. No	Article-No.	Part	with parts	VU 126/2-C	VU 186/2-C	VU 226/2-C	VUW 246/2-C	VUW 286/2-C												
		02-12-038																		
01	295248	casing, cpl.	02, 03	X	X	X	X	X												
02	251938	fuse (4 AT)		X	X	X	X	X												
03	114288	knob, cpl.		X	X	X	X	X												
04	130485	printed circuit	02	X	X	X	X	X												
05	130467	printed circuit (display)		X	X	X	X	X												
06	101271	manometer		X	X	X	X	X												
07	256133	cable tree, cpl.		X																
	256134	cable tree, cpl.			X															
	256135	cable tree, cpl.				X														
	256136	cable tree, cpl.					X													
	256137	cable tree, cpl.						X												
08	078533	cable fixation, cpl.		X	X	X	X	X												
09	078534	cable fixation (set of 2)		X	X	X	X	X												
10	081232	connection cable, cpl.		X	X	X	X	X												
10-11	-	not necessary for British appliances execution		X	X	X	X	X												